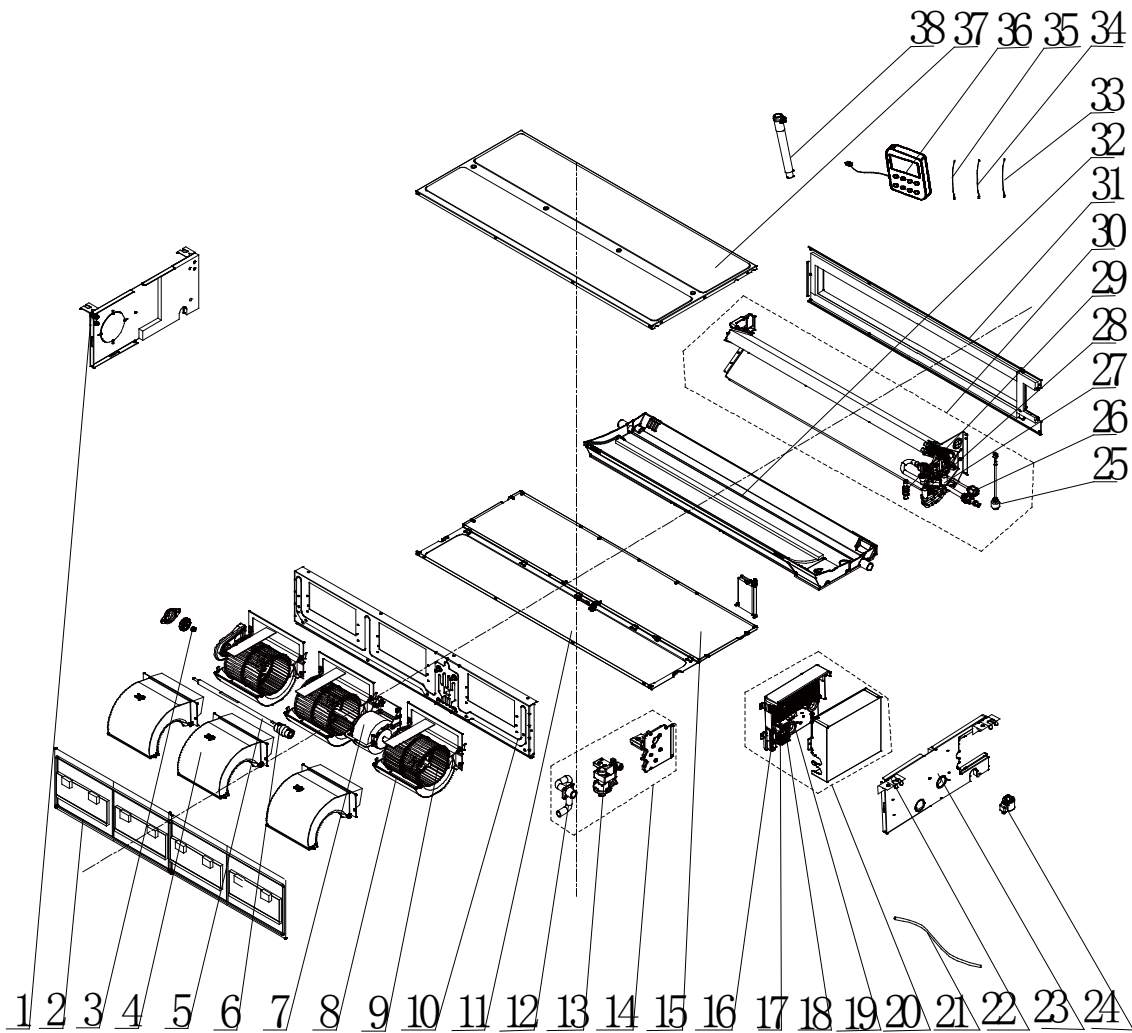


Exploded View of GMV-ND40PLS/C-T、GMV-ND45PLS/C-T:

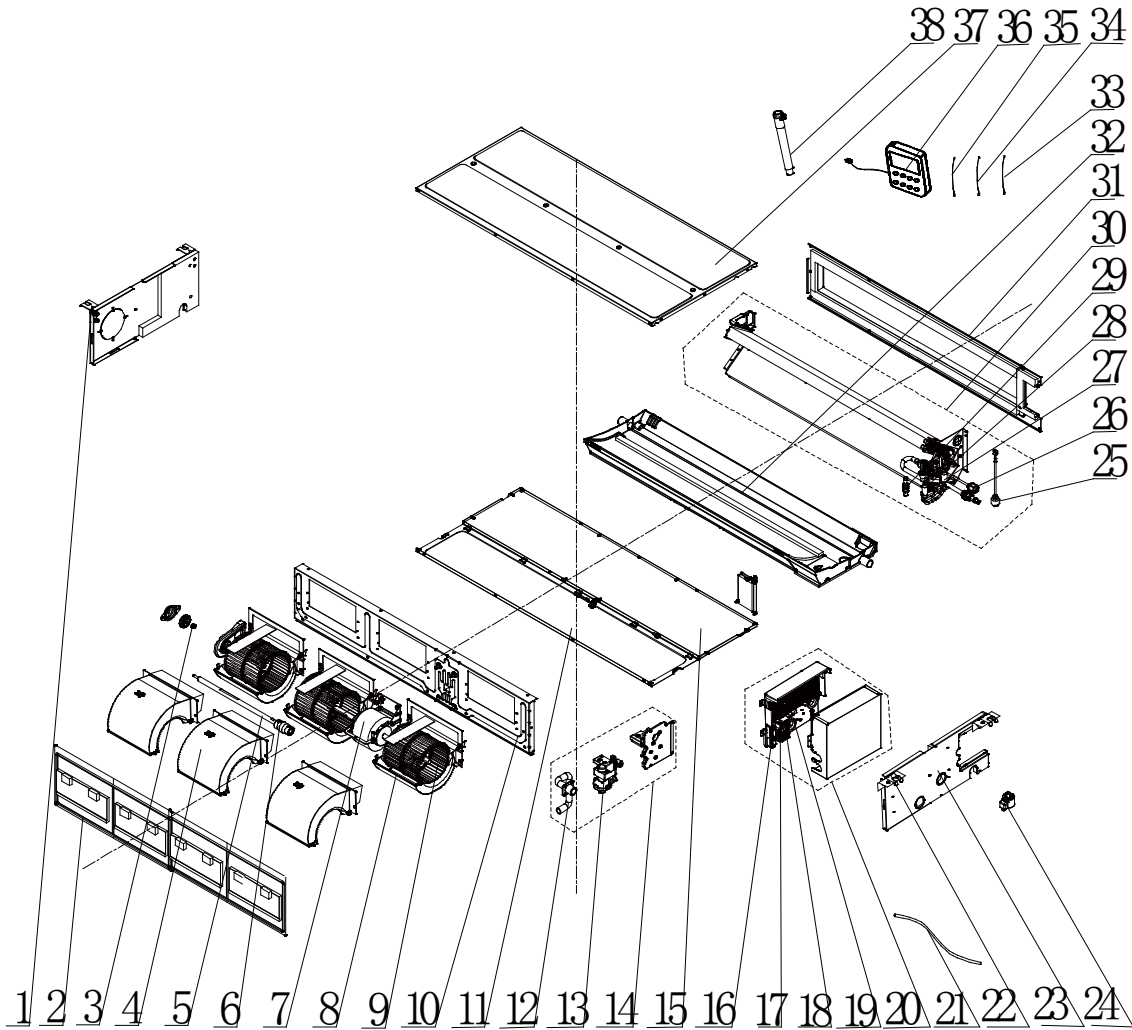


No.	Name of part	For the following unit	
		Unit	Product Code
		GMV-ND40PLS/C-T	CM810N1830
		GMV-ND45PLS/C-T	CM810N1740
		Part code	Quantity
1	Hook	01344100034	2
2	Filter Sub-Assy	111253038	2
3	Fan Bearing	7651221001	1
4	Propeller Housing(Upper)	26905200018	3
5	Rotary Axis Sub-Assy	73018761	1
6	Joint Slack	73018731	1
7	Brushless DC Motor	150104060010	1
8	Propeller Housing(Lower)	26905200019	3
9	Centrifugal Fan	10425200003	3
10	Blower Mounting Plate Sub-Assy	01325200035	1
11	Cover Of Air-In	01265200073	1
12	Drainage Pipe(Rubber)	760022000001	1
13	Water Pump	812007060016	1
14	Water Pump Assy	000104060009	1
15	Bottom Cover Plate Assy	01265200071	1
16	Main Board	300002060297	1
17	Terminal Board	42200006000401	1

No.	Name of part	For the following unit	
		Unit	Product Code
		GMV-ND40PLS/C-T	CM810N1830
		GMV-ND45PLS/C-T	CM810N1740
		Part code	Quantity
18	Terminal Board	42011106	1
19	Main Board	300002060289	1
20	Electric Box Assy	100002063081	1
21	Drain Hose Sub-Assy	007008000001	1
22	Hook 2	01344100034	2
23	Left Side Plate Assy	000080000009	1
24	Electric Expand Valve Fitting	4304413253	1
25	Liquid Level Switch	430024000005	1
26	Sealing Cap(Pressure Warning)	26112192	1
27	Strainer	07213050	1
28	Electronic Expansion Valve	07334466	1
29	Strainer	0721200102	1
30	Evaporator Assy	01024100193	1
31	Air Outlet Frame Assy	01374100058	1
32	Water Tray Assy	01285200022	1
33	Temperature Sensor	3900005910	1
34	Temperature Sensor	390000595	1
35	Temperature Sensor	390000456	1
36	Display Board	30296000040	1
37	Top Cover Board Assy	01265200068	1
38	Corrugated Pipe	/	/

Above data is subject to change without notice, pls reference the SP in global service website.

Exploded View of GMV-ND50PLS/C-T、GMV-ND56PLS/C-T、GMV-ND63PLS/C-T:

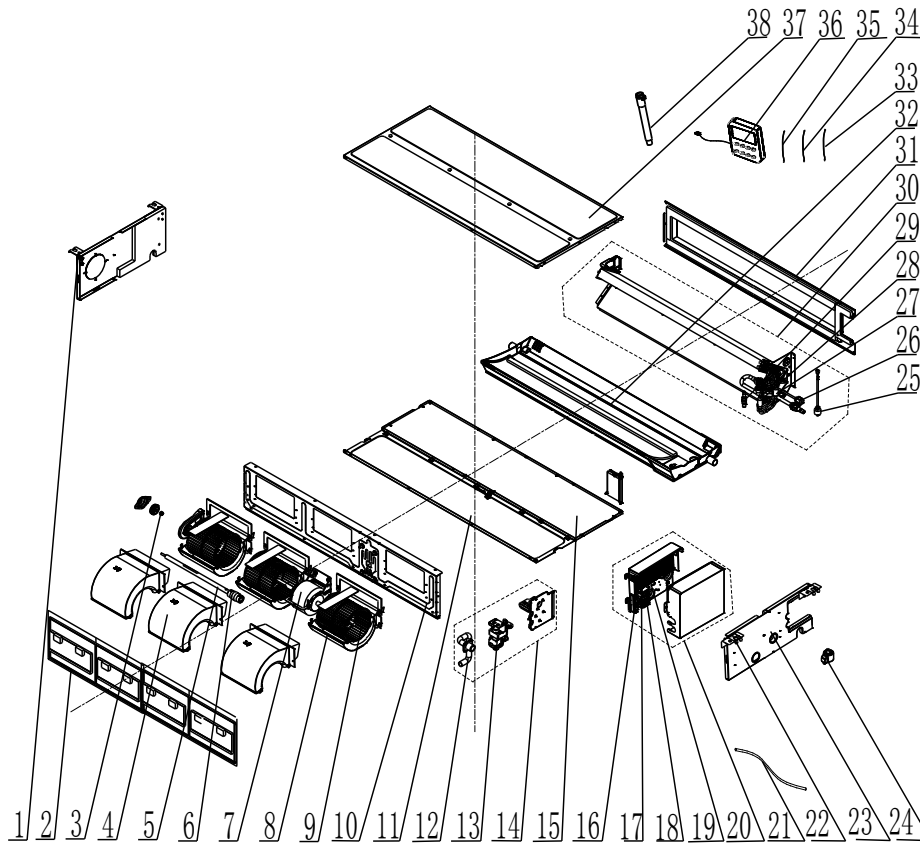


No.	Name of part	For the following unit	
		Unit	Product Code
		GMV-ND50PLS/C-T	CM810N1840
		GMV-ND56PLS/C-T	CM810N1850
		GMV-ND63PLS/C-T	CM810N1730
		Part code	Quantity
1	Hook	01344100034	2
2	Filter Sub-Assy	111253038	2
3	Fan Bearing	7651221001	1
4	Propeller Housing(Upper)	26905200018	3
5	Rotary Axis Sub-Assy	73018761	1
6	Joint Slack	73018731	1
7	Brushless DC Motor	150104060009	1
8	Propeller Housing(Lower)	26905200019	3
9	Centrifugal Fan	10425200003	3
10	Blower Mounting Plate Sub-Assy	01325200035	1
11	Cover Of Air-In	01265200073	1
12	Drainage Pipe(Rubber)	76002200001	1
13	Water Pump	812007060016	1
14	Water Pump Assy	000104060009	1
15	Bottom Cover Plate Assy	01265200071	1
16	Main Board	300002060299	1

No.	Name of part	For the following unit	
		Unit	Product Code
		GMV-ND50PLS/C-T	CM810N1840
		GMV-ND56PLS/C-T	CM810N1850
		GMV-ND63PLS/C-T	CM810N1730
		Part code	Quantity
17	Terminal Board	42200006000401	1
18	Terminal Board	42011106	1
19	Main Board	300002060289	1
20	Electric Box Assy	100002063082	1
21	Drain Hose Sub-Assy	007008000001	1
22	Hook 2	01344100034	2
23	Left Side Plate Assy	000080000009	1
24	Electric Expand Valve Fitting	4304413253	1
25	Liquid Level Switch	430024000005	1
26	Sealing Cap(Pressure Warning)	2611219201	1
27	Strainer	07213050	1
28	Electronic Expansion Valve	07334466	1
29	Strainer	0721200102	1
30	Evaporator Assy	01024100194	1
31	Air Outlet Frame Assy	01374100058	1
32	Water Tray Assy	01285200022	1
33	Temperature Sensor	3900005910	1
34	Temperature Sensor	390000595	1
35	Temperature Sensor	390000456	1
36	Display Board	30296000040	1
37	Top Cover Board Assy	01265200068	1
38	Corrugated Pipe	05015408	1

Above data is subject to change without notice, pls reference the SP in global service website.

Exploded View of GMV-ND71PLS/C-T:

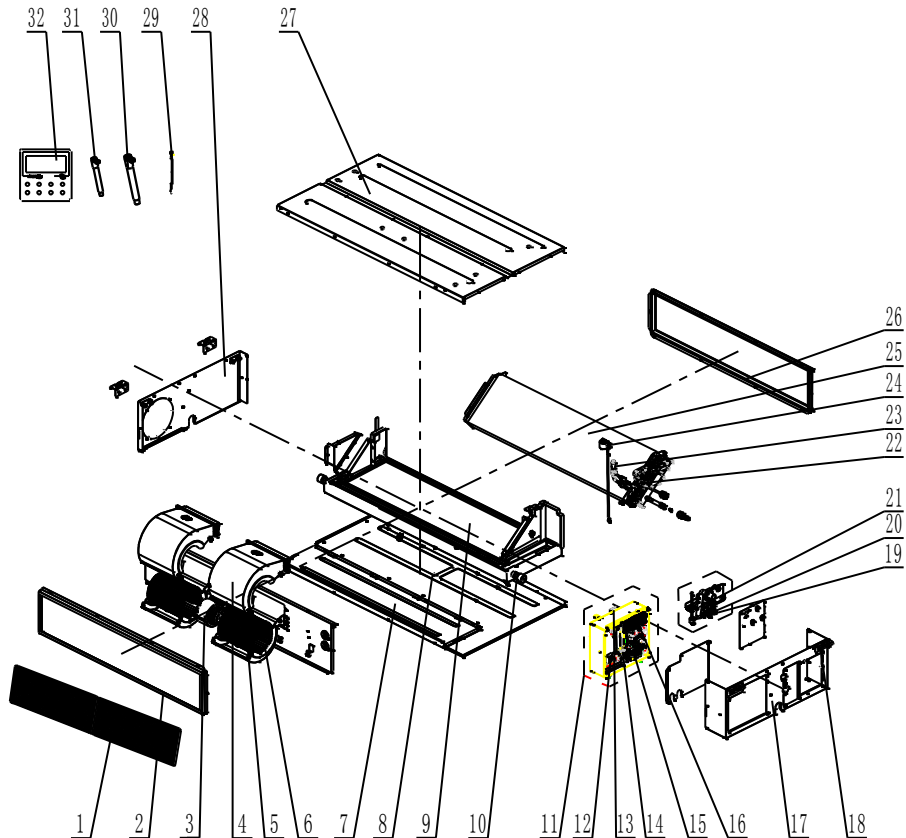


No.	Name of part	For the following unit	
		Unit	Product Code
		GMV-ND71PLS/C-T	CM810N1750
		Part code	Quantity
1	Hook	01344100034	2
2	Filter Sub-Assy	111253039	2
3	Fan Bearing	7651221001	1
4	Propeller Housing(Upper)	26905200018	4
5	Brushless DC Motor	150104060011	1
6	Centrifugal Fan	10425200003	4
7	Propeller Housing(Lower)	26905200019	4
8	Joint Slack	73018731	2
9	Rotary Axis Sub-Assy	73018761	2
10	Blower Mounting Plate Sub-Assy	01325200053	1
11	cover plate Assy for air returning	011657060059	1
12	Drainage Pipe(Rubber)	760022000001	1
13	Water Pump	812007060016	1
14	Water Pump Assy	000104060009	1
15	Bottom Cover Plate Assy	01265200093	1
16	Main Board	300002060300	1
17	Terminal Board	42011106	1
18	Terminal Board	42200006000401	1
19	Main Board	300002060289	1
20	Electric Box Assy	100002063083	1
21	Electric Expand Valve Fitting	4304413253	1

No.	Name of part	For the following unit	
		Unit	Product Code
		GMV-ND71PLS/C-T	CM810N1750
		Part code	Quantity
22	Hook 2	01344100034	2
23	Left Side Plate Assy	000080000009	1
24	Corrugated Pipe	05015408	1
25	Water Tray Assy	01285200029	1
26	Liquid Level Switch	430024000005	1
27	Sealing Cap(Pressure Warning)	2611219201	1
28	Strainer	0721200102	1
29	Electronic Expansion Valve	07334466	1
30	Strainer	07213050	1
31	Evaporator Assy	01024100195	1
32	Air Outlet Frame Assy	01374100059	1
33	Temperature Sensor	3900005910	1
34	Temperature Sensor	390000595	1
35	Temperature Sensor	390000456	1
36	Display Board	30296000040	1
37	Drain Hose Sub-Assy	007008000001	1
38	Top Cover Board Assy	0126520009201	1

Above data is subject to change without notice, pls reference the SP in global service website.

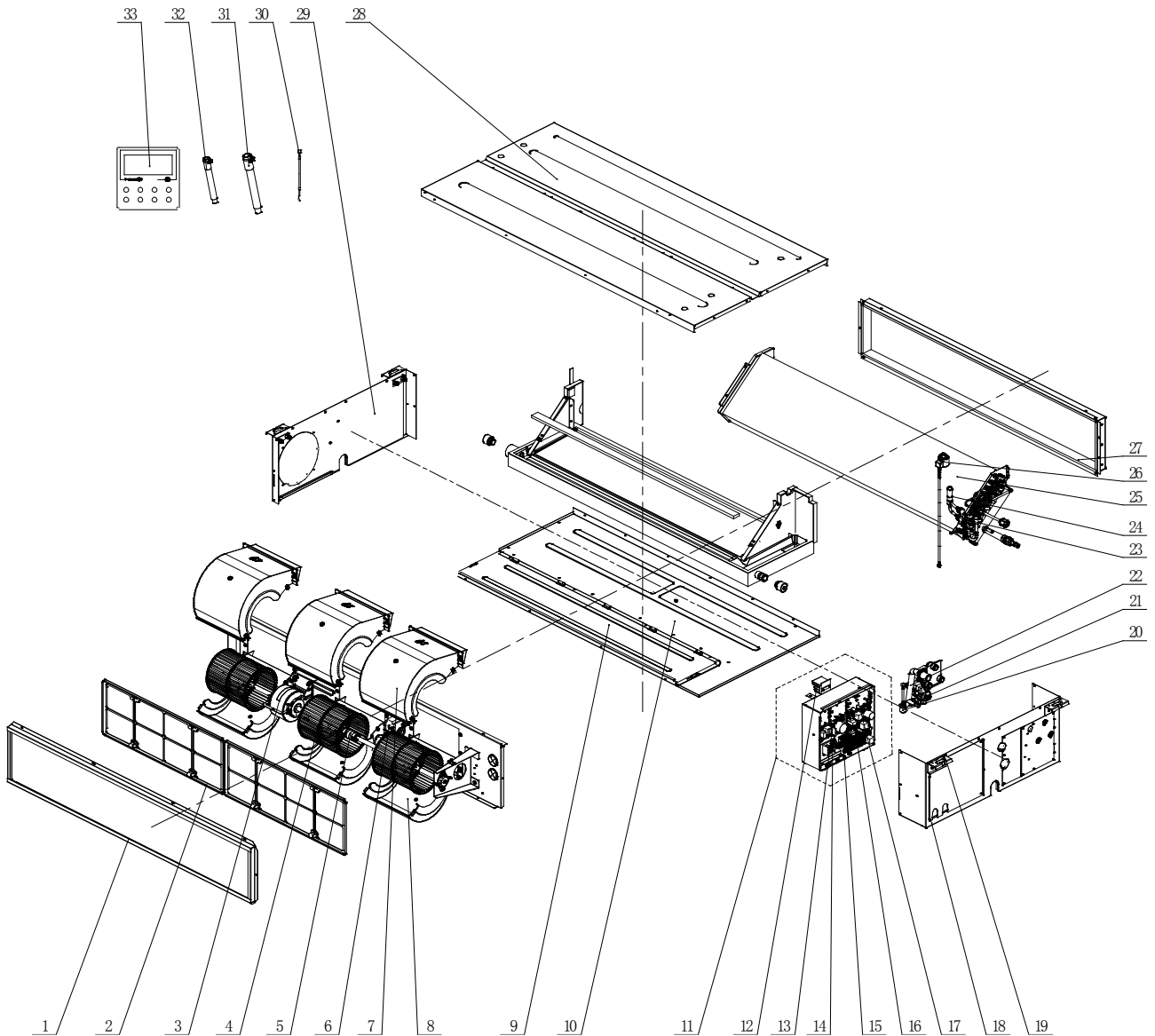
Exploded View of GMV-ND80PLS/C-T:



No.	Name of part	For the following unit	
		Unit	Product Code
		GMV-ND80PLS/C-T	CM810N1920
		Part code	Quantity
1	Filter Sub-Assy	11725207	2
2	Air Intake Side Board Sub-assy	02225265	1
3	Brushless DC Motor	150104060011	1
4	Volute Casing	200230060003	2
5	Centrifugal Fan	103003060003	2
6	Volute Casing	200230060004	2
7	Cover Of Air-In	01265346	1
8	Bottom Cover Plate	01265348	1
9	Water Tray Assy	01285276	1
10	Choke Plug of Drain Pipe	76815214	2
11	Electric Box Assy	100006060003	1
12	Terminal Board	42011106	1
13	Radiator	430034060043	1
14	Terminal Board	42200006000401	1
15	Main Board	300002060289	1
16	Main Board	300002060499	1
17	Right Side Plate Assy	01315298	1
18	Hook	02112466	4
19	Water Pump	4313822001	1
20	Water Level Switch	43002400000502	1
21	Pump Drainpipe	04615487	1
22	Strainer	0721304401	2
23	Electronic Expansion Valve	07334466	1
24	Electric Expand Valve Fitting	4304413215	1
25	Evaporator Assy	011001060429	1
26	Air Outlet Side Board assy	02225264	1
27	Top Cover Board Assy	01265350	1
28	Left Side Plate Assy	01315299	1
29	Sensor Sub-assy	39004169G	1
30	Drain Hose	05232046	1
31	Corrugated Pipe	05015408	1
32	Display Board	30296000040	1

Above data is subject to change without notice, pls reference the SP in global service website.

Exploded View of GMV-ND90PLS/C-T, GMV-ND100PLS/C-T, GMV-ND112PLS/C-T

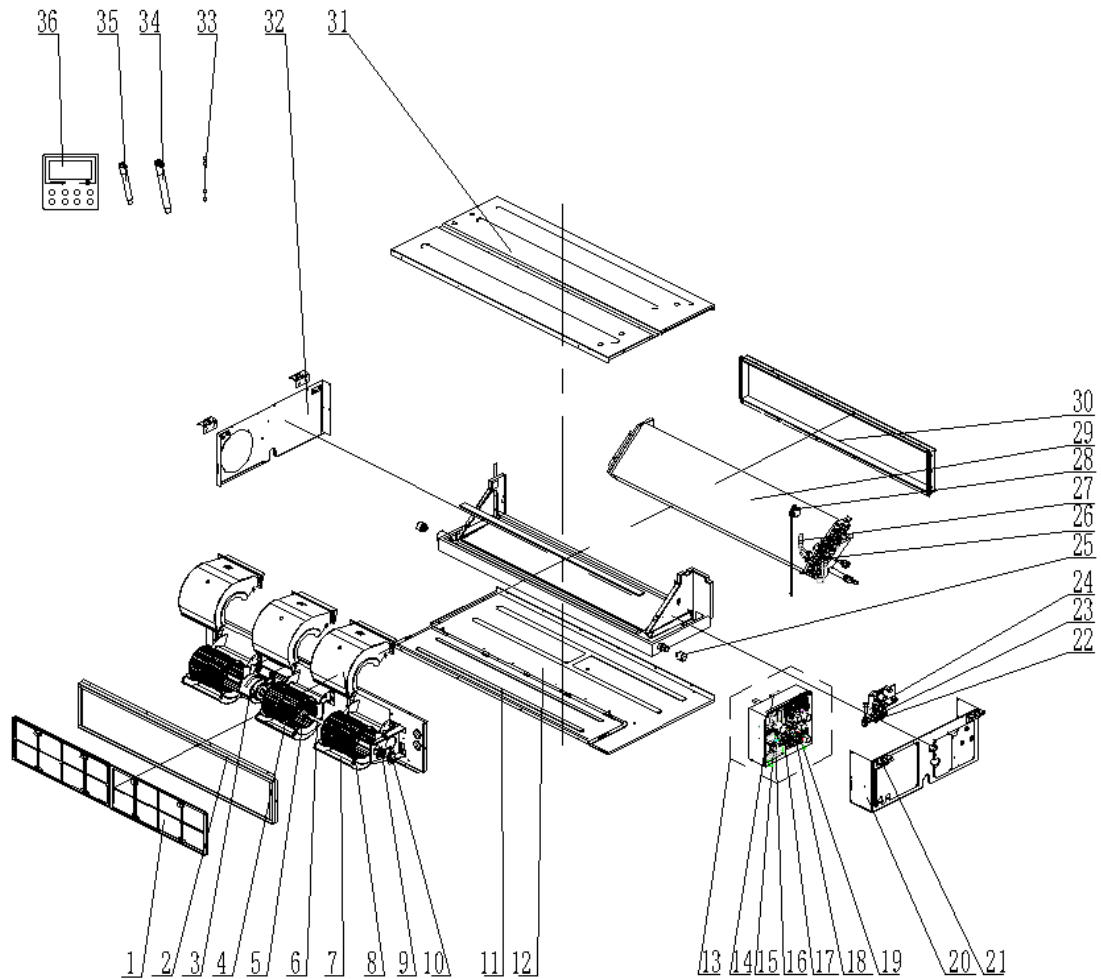


No.	Name of part	For the following unit	
		Unit	Product Code
		GMV-ND90PLS/C-T	CM810N1960
		GMV-ND100PLS/C-T	CM810N1970
		GMV-ND112PLS/C-T	CM810N1950
		Part code	Quantity
1	Filter Sub-Assy	11725206	2
2	Air Intake Side Board Sub-Assy	02225261	1
3	Brushless DC Motor	150104060015	1
4	Centrifugal Fan	103003060003	3
5	Joint Slack	73018731	1
6	Inductance	4312800001403	1
7	Volute Casing	200230060004	3
8	Volute Casing	200230060003	3
9	Cover Of Air-In	01265344	1

No.	Name of part	For the following unit	
		Unit	Product Code
		GMV-ND90PLS/C-T	CM810N1960
		GMV-ND100PLS/C-T	CM810N1970
		GMV-ND112PLS/C-T	CM810N1950
		Part code	Quantity
10	Bottom Cover Plate	01265343	1
11	Electric Box Assy	100002064928	1
12	Radiator	430034060043	1
13	Filter Board	300020060016	1
14	Terminal Board	42011106	1
15	Terminal Board	42200006000401	1
16	Main Board	300002060459	1
17	Main Board	300002060399	1
18	Right Side Plate Assy	01315282	1
19	Hook	02112466	4
20	Water Pump	4313822001	1
21	Water Level Switch	43002400000502	1
22	Pump Drainpipe	04615487	1
23	Strainer	0721304401	2
24	Electronic Expansion Valve	07334468	1
25	Evaporator Assy	011001060474	1
26	Electric Expand Valve Fitting	4304413215	1
27	Air Outlet Side Board Assy	02225270	1
28	Top Cover Board Assy	0126534901	1
29	Left Side Plate Assy	01315299	1
30	Sensor Sub-Assy	39004169G	1
31	Drain Hose Sub-Assy	05232050	1
32	Corrugated Pipe	05015408	1
33	Display Board	30296000040	1

Above data is subject to change without notice, pls reference the SP in global service website.

Exploded View of GMV-ND125PLS/C-T, GMV-ND140PLS/C-T:

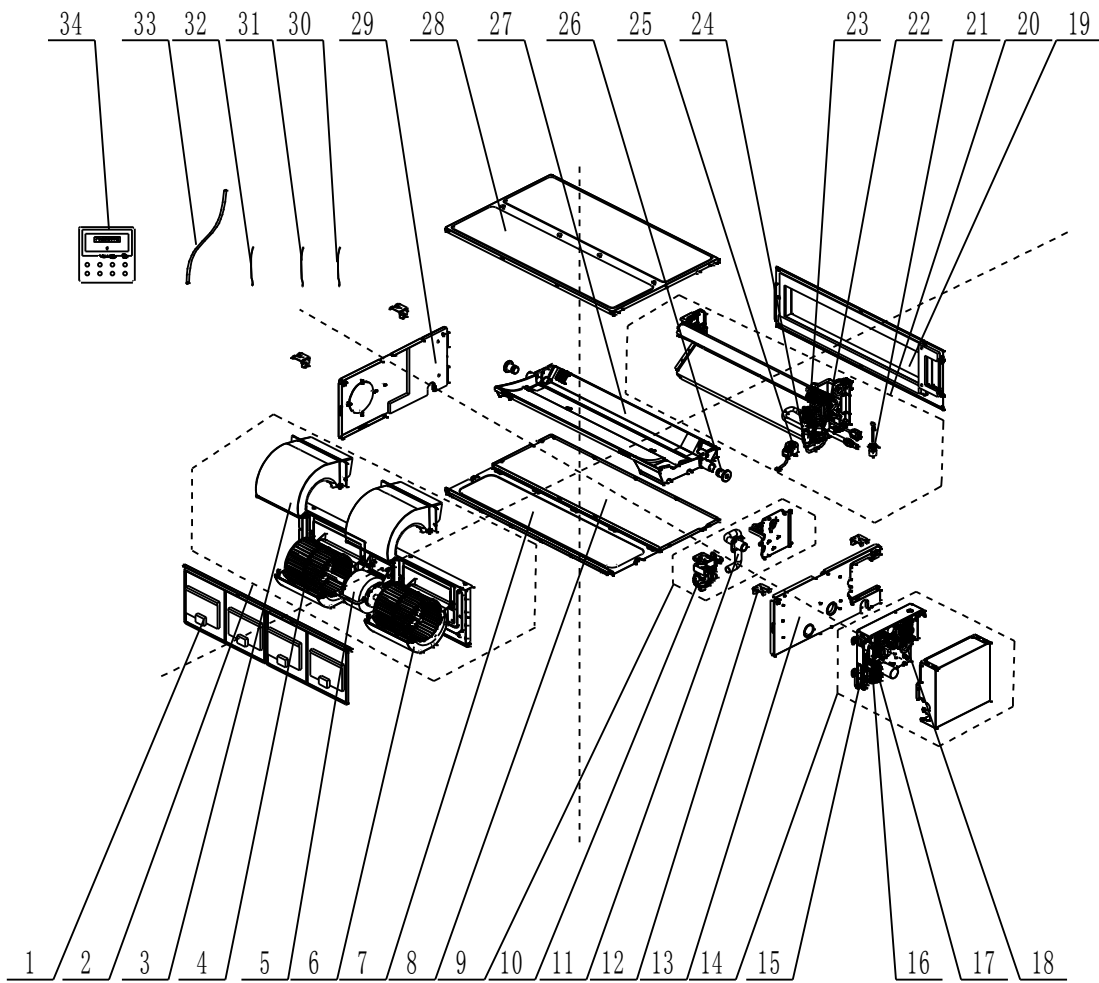


No.	Name of part	For the following unit	
		Unit	Product Code
		GMV-ND125PLS/C-T	CM810N1940
		GMV-ND140PLS/C-T	CM810N1930
		Part code	Quantity
1	Filter Sub-Assy	11725206	2
2	Air Intake Side-Board Sub-Assy	02225261	1
3	Brushless DC Motor	150104060015	1
4	Centrifugal Fan	103003060003	3
5	Joint Slack	73018731	1
6	Rotary Axis Sub-Assy	700003060004	1
7	Volute Casing	200230060004	3
8	Volute Casing	200230060003	3
9	Bearing Holder Sub-Assy	26151139	1
10	Support Of Motor Bearing	02285200001	1
11	Cover Of Air-In	01265344	1
12	Bottom Cover Plate	01265343	1
13	Electric Box Assy	100002064928	1
14	Radiator	430034060043	1

No.	Name of part	For the following unit	
		Unit	Product Code
		GMV-ND125PLS/C-T	CM810N1940
		GMV-ND140PLS/C-T	CM810N1930
		Part code	Quantity
15	Terminal Board	42011106	1
16	Filter Board	300020060016	1
17	Terminal Board	42200006000401	1
18	Main Board	300002060459	1
19	Main Board	300002060399	1
20	Right Side Plate Assy	01315282	1
21	Hook	02112466	4
22	Water Level Switch	43002400000502	1
23	Water Pump	4313822001	1
24	Pump Drainpipe	04615487	1
25	Choke Plug of Drain Pipe	76815214	
26	Strainer	0721304401	1
27	Electronic Expansion Valve	07334468	1
28	Electric Expand Valve Fitting	4304413215	1
29	Evaporator Assy	011001060443	1
30	Air Intake Side Board Assy	02225271	1
31	Top Cover Board Assy	0126534901	1
32	Left Side Plate Assy	01315299	1
33	Sensor Sub-Assy	39004169G	1
34	Drain Hose Sub-Assy	05232050	1
35	Corrugated Pipe	05015408	1
36	Display Board	30296000040	1

Above data is subject to change without notice, pls reference the SP in global service website.

Exploded View of GMV-ND18PLS/C1-T、GMV-ND22PLS/C1-T、GMV-ND25PLS/C1-T、GMV-ND28PLS/C1-T、GMV-ND32PLS/C1-T、GMV-ND36PLS/C1-T:

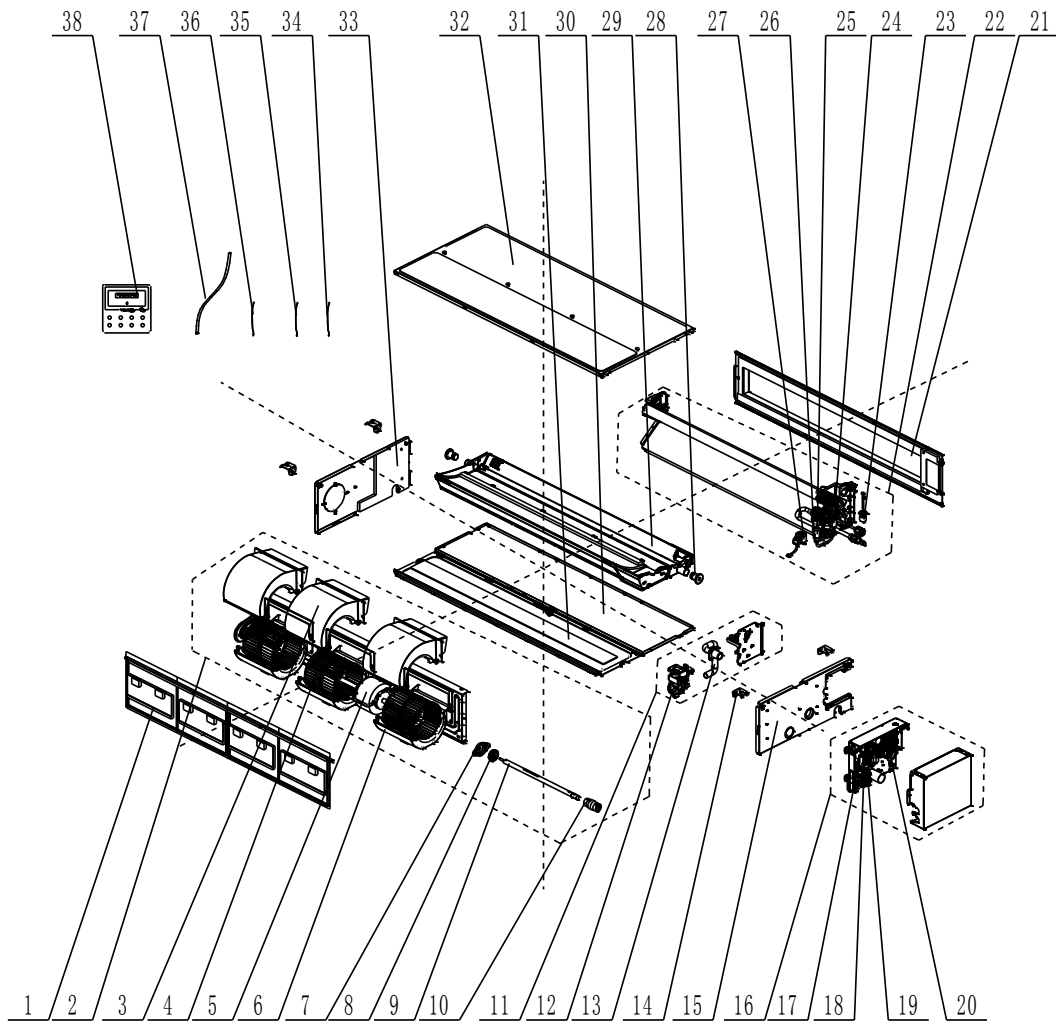


No.	Name of part	For the following unit			
		Unit	Product Code	Unit	Product Code
		GMV-ND18PLS/C1-T	CM810N2610	GMV-ND32PLS/C1-T	CM810N2640
		GMV-ND22PLS/C1-T	CM810N2620	GMV-ND36PLS/C1-T	CM810N2570
		GMV-ND25PLS/C1-T	CM810N2630	—	—
		GMV-ND28PLS/C1-T	CM810N2580	—	—
		Part code	Quantity	Part code	Quantity
1	Filter Sub-Assy	111001000082	2	111001000082	2
2	Centrifugal fan assy	000052060087	1	000052060087	1
3	Propeller Housing(Upper)	26905200018	2	26905200018	2
4	Centrifugal Fan	10425200003	2	10425200003	2
5	Brushless DC Motor	150104060010	1	150104060010	1
6	Propeller Housing(Lower)	26905200019	2	26905200019	2
7	Cover Plate Sub-Assy	011657000030	1	011657000030	1
8	Cover Plate (Top)	01265200055	1	01265200055	1
9	Water Pump Assy	000104060009	1	000104060009	1
10	Water Pump	812007060016	1	812007060016	1
11	Drainage Pipe(Rubber)	760022000001	1	760022000001	1
12	Hook 2	01344100034	4	01344100034	4
13	Left Side Plate Sub-Assy	017037000010	1	017037000010	1

No.	Name of part	For the following unit			
		Unit	Product Code	Unit	Product Code
		GMV-ND18PLS/C1-T	CM810N2610	GMV-ND32PLS/C1-T	CM810N2640
		GMV-ND22PLS/C1-T	CM810N2620	GMV-ND36PLS/C1-T	CM810N2570
		GMV-ND25PLS/C1-T	CM810N2630	—	—
		GMV-ND28PLS/C1-T	CM810N2580	—	—
		Part code	Quantity	Part code	Quantity
14	Electric Box Assy	100002075991	1	100002075991	1
15	Fan board	300094000024	1	300094000024	1
16	Terminal Board	42011106	1	42011106	1
17	Terminal Board	42200006005404	1	42200006005404	1
18	Main Board	300002061887	1	300002061887	1
19	Air Outlet Frame Sub-assy	017043060003	1	017043060003	1
20	Evaporator Assy	011001060833	1	011001060834	1
21	Water Level Switch	430024060005	1	430024060005	1
22	Strainer	07213050	1	07213050	1
23	Electronic Expansion Valve	072009000006	1	072009000006	1
24	Strainer	035021060019	1	035021060019	1
25	Electric Expand Valve Fitting	4304000111	1	4304000111	1
26	Rubber Plug	76815200002	2	76815200002	2
27	Water Tray	26905200023	1	26905200023	1
28	Top Cover Board Sub-assy	01265200067	1	01265200067	1
29	Right Side Plate Sub-Assy	01315200052	1	01315200052	1
30	Temperature Sensor	3900005910	1	3900005910	1
31	Temperature Sensor	390000595	1	390000595	1
32	Temperature Sensor	390000456	1	390000456	1
33	Drain Hose Sub-Assy	007008000001	1	007008000001	1
34	Display Board	300001060921	1	300001060921	1

Above data is subject to change without notice, pls reference the SP in global service website.

Exploded View of GMV-ND40PLS/C1-T 、 GMV-ND45PLS/C1-T 、 GMV-ND50PLS/C1-T 、 GMV-ND56PLS/C1-T、 GMV-ND63PLS/C1-T:

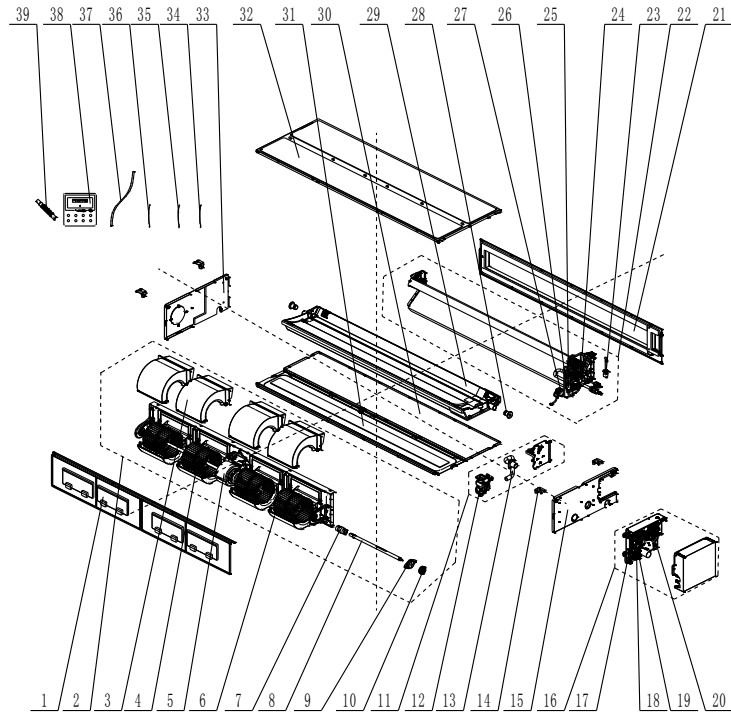


No.	Name of part	For the following unit			
		Unit	Product Code	Unit	Product Code
		GMV-ND40PLS/C1-T	CM810N2650	GMV-ND56PLS/C1-T	CM810N2600
		GMV-ND45PLS/C1-T	CM810N2660	GMV-ND63PLS/C1-T	CM810N2550
		GMV-ND50PLS/C1-T	CM810N2560	—	—
		Part code	Quantity	Part code	Quantity
1	Filter Sub-Assy	111253038	2	111253038	2
2	Centrifugal fan assy	000052060089	1	000052060089	1
3	Propeller Housing(Upper)	26905200018	3	26905200018	3
4	Centrifugal Fan	10425200003	3	10425200003	3
5	Brushless DC Motor	150104060010	1	150104060009	1
6	Propeller Housing(Lower)	26905200019	3	26905200019	3
7	Support Of Motor Bearing	02285200001	1	02285200001	1
8	Bearing Holder Sub-assy	26151139	1	26151139	1
9	Rotary Axis Sub-Assy	73018761	1	73018761	1
10	Joint Slack	73018731	1	73018731	1
11	Water Pump Assy	000104060009	1	000104060009	1
12	Water Pump	812007060016	1	812007060016	1
13	Drainage Pipe(Rubber)	760022000001	1	760022000001	1

No.	Name of part	For the following unit			
		Unit	Product Code	Unit	Product Code
		GMV-ND40PLS/C1-T	CM810N2650	GMV-ND56PLS/C1-T	CM810N2600
		GMV-ND45PLS/C1-T	CM810N2660	GMV-ND63PLS/C1-T	CM810N2550
		GMV-ND50PLS/C1-T	CM810N2560	—	—
	Part code	Quantity	Part code	Quantity	
14	Hook 2	01344100034	4	01344100034	4
15	Left Side Plate Sub-Assy	017037000010	1	017037000010	1
16	Electric Box Assy	100002075991	1	100002075992	1
17	Fan board	300094000024	1	300094000025	1
18	Terminal Board	42011106	1	42011106	1
19	Terminal Board	42200006005404	1	42200006005404	1
20	Main Board	300002061887	1	300002061887	1
21	Air Outlet Frame Sub-assy	017043060001	1	017043060001	1
22	Evaporator Assy	011001060835	1	011001060836	1
23	Water Level Switch	430024060005	1	430024060005	1
24	Strainer	07213050	1	07213050	1
25	Electronic Expansion Valve	072009000005	1	072009000005	1
26	Strainer	035021060019	1	035021060019	1
27	Electric Expand Valve Fitting	4304000111	1	4304000111	1
28	Rubber Plug	76815200002	2	76815200002	2
29	Water Tray	26905200024	1	26905200024	1
30	Bottom Cover Plate	01265200072	1	01265200072	1
31	Cover Plate Sub-Assy	011657000032	1	011657000032	1
32	Top Cover Board Sub-assy	01265200069	1	01265200069	1
33	Right Side Plate Sub-Assy	01315200052	1	01315200052	1
34	Temperature Sensor	3900005910	1	3900005910	1
35	Temperature Sensor	390000595	1	390000595	1
36	Temperature Sensor	390000456	1	390000456	1
37	Drain Hose Sub-Assy	007008000001	1	007008000001	1
38	Display Board	300001060921	1	300001060921	1

Above data is subject to change without notice, pls reference the SP in global service website.

Exploded View of GMV-ND71PLS/C1-T、GMV-ND80PLS/C1-T:



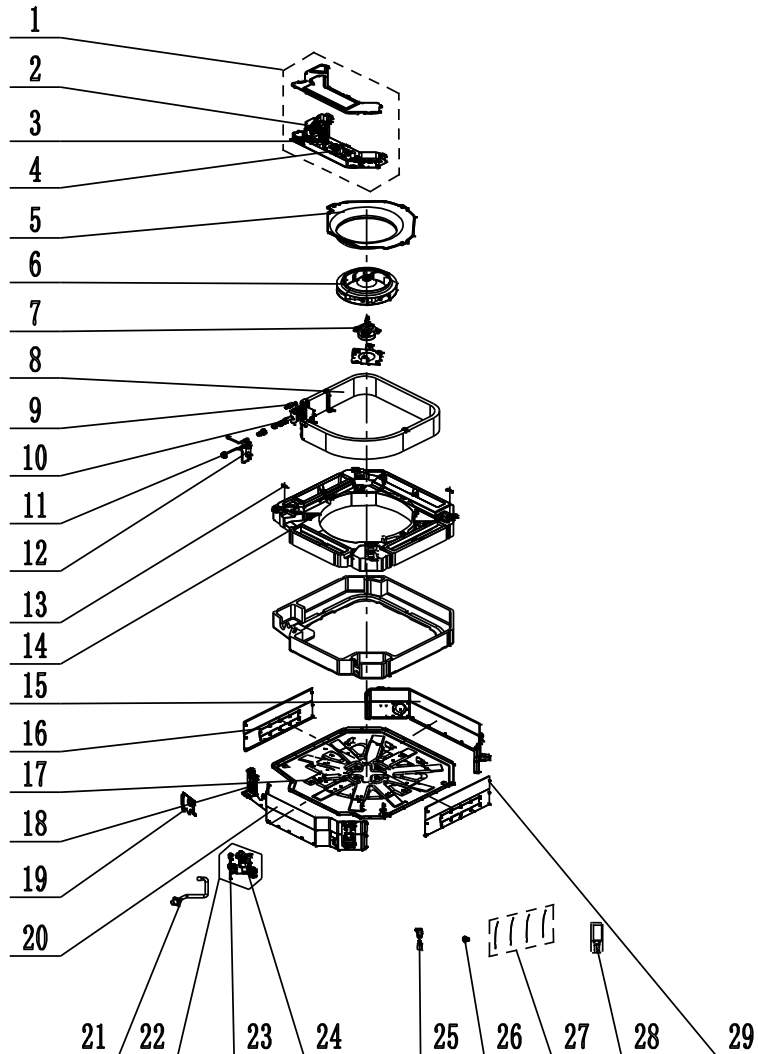
No.	Name of part	For the following unit	
		Unit	Product Code
		GMV-ND71PLS/C1-T	CM810N2590
		GMV-ND80PLS/C1-T	CM810N2540
		Part code	Quantity
1	Filter Sub-Assy	111253039	2
2	Centrifugal fan assy	000052060088	1
3	Propeller Housing(Upper)	26905200018	4
4	Centrifugal Fan	10425200003	4
5	Brushless DC Motor	150104060011	1
6	Propeller Housing(Lower)	26905200019	4
7	Joint Slack	73018731	2
8	Rotary Axis Sub-Assy	73018761	2
9	Support Of Motor Bearing	02285200001	2
10	Bearing Holder Sub-assy	26151139	2
11	Water Pump Assy	000104060009	1
12	Water Pump	812007060016	1
13	Drainage Pipe(Rubber)	760022000001	1
14	Hook 2	01344100034	4
15	Left Side Plate Sub-Assy	017037000010	1
16	Electric Box Assy	100002075993	1
17	Fan board	300094000026	1
18	Terminal Board	42011106	1
19	Terminal Board	42200006005404	1
20	Main Board	300002061887	1
21	Air Outlet Frame Sub-assy	017043060037	1
22	Evaporator Assy	011001062201	1
23	Water Level Switch	430024060005	1
24	Strainer	07213050	1

No.	Name of part	For the following unit	
		Unit	Product Code
		GMV-ND71PLS/C1-T	CM810N2590
		GMV-ND80PLS/C1-T	CM810N2540
		Part code	Quantity
25	Electronic Expansion Valve	072009000005	1
26	Strainer	035021060019	1
27	Electric Expand Valve Fitting	4304000111	1
28	Rubber Plug	76815200002	2
29	Water Tray	26905200031	1
30	Bottom Cover Plate	01265200084	1
31	Cover Plate Sub-Assy	011657060059	1
32	Top Cover Board Sub-assy	0126520009401	1
33	Right Side Plate Sub-Assy	01315200052	1
34	Temperature Sensor	3900005910	1
35	Temperature Sensor	390000595	1
36	Temperature Sensor	390000456	1
37	Drain Hose Sub-Assy	007008000001	1
38	Display Board	300001060921	1
39	Corrugated Pipe	05015408	1

Above data is subject to change without notice, pls reference the SP in global service website.

5.4 4-way Cassette Type

Exploded View of GMV-ND28T/A-T, GMV-ND36T/A-T, GMV-ND45T/A-T, GMV-ND50T/A-T

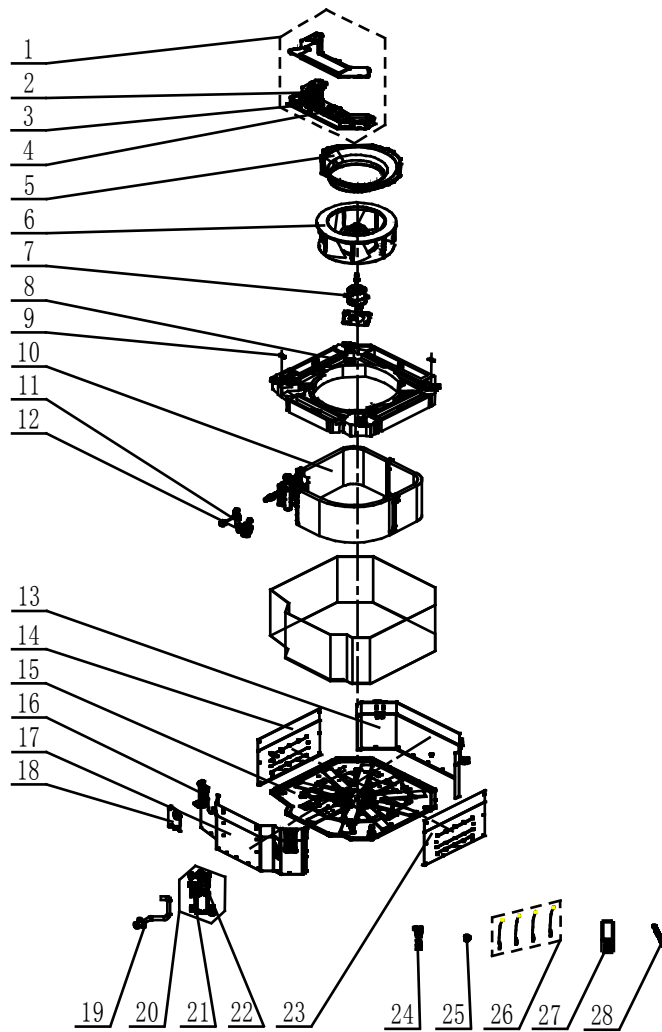


No.	Name of part	For the following unit		For the following unit	
		Unit	Product Code	Unit	Product Code
		GMV-ND28T/A-T	CM500N0380	GMV-ND45T/A-T	CM500N0400
		GMV-ND36T/A-T	CM500N0390	GMV-ND50T/A-T	CM500N0410
		Part code	Quantity	Part code	Quantity
1	Electric Box Assy	01394100209	1	01394100209	1
2	Terminal Board	42200000001501	1	42200000001501	1
3	Terminal Board	4201800002601	1	4201800002601	1
4	Main Board	30226000029	1	30226000029	1
5	Diversion Circle	10372701	1	10372701	1
6	Centrifugal Fan	10312721	1	10312721	1
7	Brushless DC Motor	1570410000703	1	1570410000703	1
8	Evaporator Assy	01024100113(36) 01024100118(28)	1	01024100114	1

No.	Name of part	For the following unit		For the following unit	
		Unit	Product Code	Unit	Product Code
		GMV-ND28T/A-T	CM500N0380	GMV-ND45T/A-T	CM500N0400
		GMV-ND36T/A-T	CM500N0390	GMV-ND50T/A-T	CM500N0410
		Part code	Quantity	Part code	Quantity
9	Strainer	07415200002	1	07415200002	1
10	Corrugated Pipe	05025112(36) 0502513401(28)	1	05025134	1
11	Electronic Expansion Valve	07334463	1	07334463	1
12	Strainer	07414100006	1	07414100006	1
13	Hook	02112721	2	02112721	2
14	Water Tray Assy	01289400013	1	01289400013	1
15	Rear Side Plate	01302732	1	01302732	1
16	Left Side Plate	01302733	1	01302733	1
17	Base Plate Assy	01222701	1	01222701	1
18	Body Installing Plate	01332701	4	01332701	4
19	Tube Exit Plate Assy	01382717	1	01382717	1
20	Front Side Plate	01302731	1	01302731	1
21	Pump Drainpipe	05232721	1	05232721	1
22	Water Pump Assy	15409405	1	15409405	1
23	Water Level Switch	45020216	1	45020216	1
24	Water Pump	43138000068	1	43138000068	1
25	Drain Hose Sub-Assy	007008000001	1	007008000001	1
26	Electric Expand Valve Fitting	4304413215	1	4304413215	1
27	Sensor Sub-assy	39008000013G	1	39008000013G	1
28	Remote Controller	30510589	1	30510589	1
29	Right Side Plate	01302734	1	01302734	1

Above data is subject to change without notice, pls refer the SP in global service website.

Exploded View of GMV-ND56T/A-T, GMV-ND63T/A-T, GMV-ND71T/A-T, GMV-ND80T/A-T, GMV-ND90T/A-T, GMV-ND100T/A-T, GMV-ND112T/A-T, GMV-ND125T/A-T, GMV-ND140T/A-T.



No.	Name of part	For the following unit	
		Unit	Product Code
		GMV-ND56T/A-T	CM500N0420
		GMV-ND63T/A-T	CM500N0430
		GMV-ND71T/A-T	CM500N0440
		GMV-ND80T/A-T	CM500N0450
		Part code	Quantity
1	Electric Box Assy	01394100209	1
2	Terminal Board	4220000001501	1
3	Terminal Board	4201800002601	1
4	Main Board	30226000029	1
5	Diversion Circle	10372701	1
6	Centrifugal Fan	10312705	1
7	Brushless DC Motor	1570940000401	1
8	Water Tray Assy	01289400013	1
9	Hook	02112721	2
10	Evaporator Assy	01024100115	1

No.	Name of part	For the following unit	
		Unit	Product Code
		GMV-ND56T/A-T	CM500N0420
		GMV-ND63T/A-T	CM500N0430
		GMV-ND71T/A-T	CM500N0440
		GMV-ND80T/A-T	CM500N0450
		Part code	Quantity
11	Strainer	0741410000601	2
12	Electronic Expansion Valve	07334466	1
13	Rear Side Plate	01302714	1
14	Left Side Plate	01302725	1
15	Base Plate Assy	01222701	1
16	Body Installing Plate	01332701	4
17	Front Side Plate	01302718	1
18	Tube Exit Plate Assy	01382715	1
19	Pump Drainpipe	05230026	1
20	Water Pump Assy	01332751	1
21	Water Level Switch	45020216	1
22	Water Pump	43138000068	1
23	Right Side Plate	01302716	1
24	Drain Hose Sub-Assy	05339400001	1
25	Electric Expand Valve Fitting	4304413215	1
26	Sensor Sub-Assy	39008000013G	1
27	Remote Controller	30510589	1
28	Corrugated Pipe	05015408	1

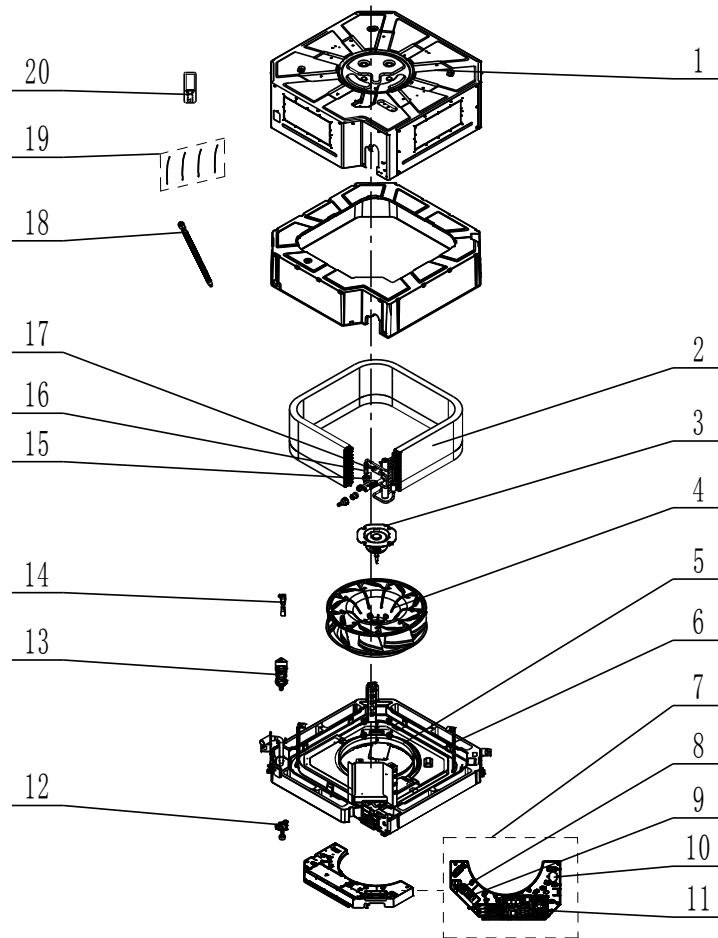
Above data is subject to change without notice, pls refer the SP in global service website.

No.	Name of part	For the following unit	
		Unit	Product Code
		GMV-ND90T/A-T	CM500N0460
		GMV-ND100T/A-T	CM500N0470
		GMV-ND112T/A-T	CM500N0480
		GMV-ND125T/A-T	CM500N0490
		GMV-ND140T/A-T	CM500N0500
Part code	Quantity		
1	Electric Box Assy	01394100209	1
2	Terminal Board	42200000001501	1
3	Terminal Board	4201800002601	1
4	Main Board	30226000029	1
5	Diversion Circle	10372722	1
6	Centrifugal Fan	10310101	1
7	Brushless DC Motor	1570940000301	1

No.	Name of part	For the following unit	
		Unit	Product Code
		GMV-ND90T/A-T	CM500N0460
		GMV-ND100T/A-T	CM500N0470
		GMV-ND112T/A-T	CM500N0480
		GMV-ND125T/A-T	CM500N0490
		GMV-ND140T/A-T	CM500N0500
		Part code	Quantity
8	Water Tray Assy	01289400013	1
9	Hook	02112721	2
10	Evaporator Assy	01024100116	1
11	Strainer	0741410000601	2
12	Electronic Expansion Valve	07334468	1
13	Rear Side Plate	01302723	1
14	Left Side Plate	01302725	1
15	Base Plate Assy	01222701	1
16	Body Installing Plate	01332701	4
17	Front Side Plate	01302721	1
18	Tube Exit Plate Assy	01382715	1
19	Pump Drainpipe	05230026	1
20	Water Pump Assy	15404100047	1
21	Water Level Switch	45020216	1
22	Water Pump	43138000068	1
23	Right Side Plate	01302727	1
24	Drain Hose Sub-Assy	05339400001	1
25	Electric Expand Valve Fitting	4304413215	1
26	Sensor Sub-Assy	39008000012G	1
27	Remote Controller	30510589	1
28	Corrugated Pipe	05015408	1

Above data is subject to change without notice, pls reference the SP in global service website.

Exploded View of GMV-ND160T/A-T:



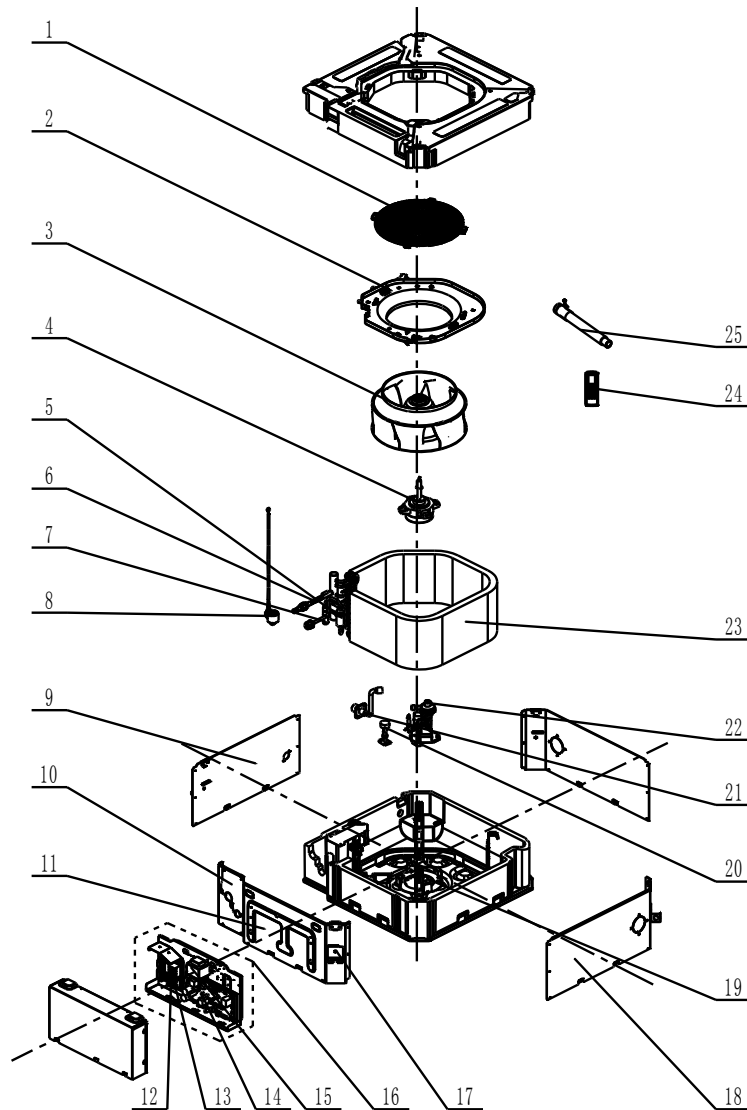
No.	Name of part	For the following unit	
		Unit	Product Code
		GMV-ND160T/A-T	CM500N0660
		Part code	Quantity
1	Shell Assy	01519400001	1
2	Evaporator Assy	01024100103	1
3	Brushless DC Motor	15709400002	1
4	Centrifugal Fan	10429401	1
5	Diversion Circle	10479401	1
6	Water Tray Assy	01289400002	1
7	Electric Box Assy	01394100298	1
8	Terminal Board	4201800002601	1
9	Terminal Board	42200000001501	1
10	Inductance	43128000014	1
11	Main Board	30226000027	1
12	Liquid Level Switch	4501801203	1
13	Water Pump	4313822001	1
14	Drain Hose Sub-Assy	05339400001	1
15	Electric Expand Valve Fitting	4304413219	1
16	Electronic Expansion Valve	07334468	1

No.	Name of part	For the following unit	
		Unit	Product Code
		GMV-ND160T/A-T	CM500N0660
		Part code	Quantity
17	Strainer	0741410000601	2
18	Corrugated Pipe	035030000005	1
19	Sensor Sub-assy	39008000012G	1
20	Remote Controller	30510589	1

Above data is subject to change without notice, pls reference the SP in global service website.

5.5 Compact 4-way Cassette Type

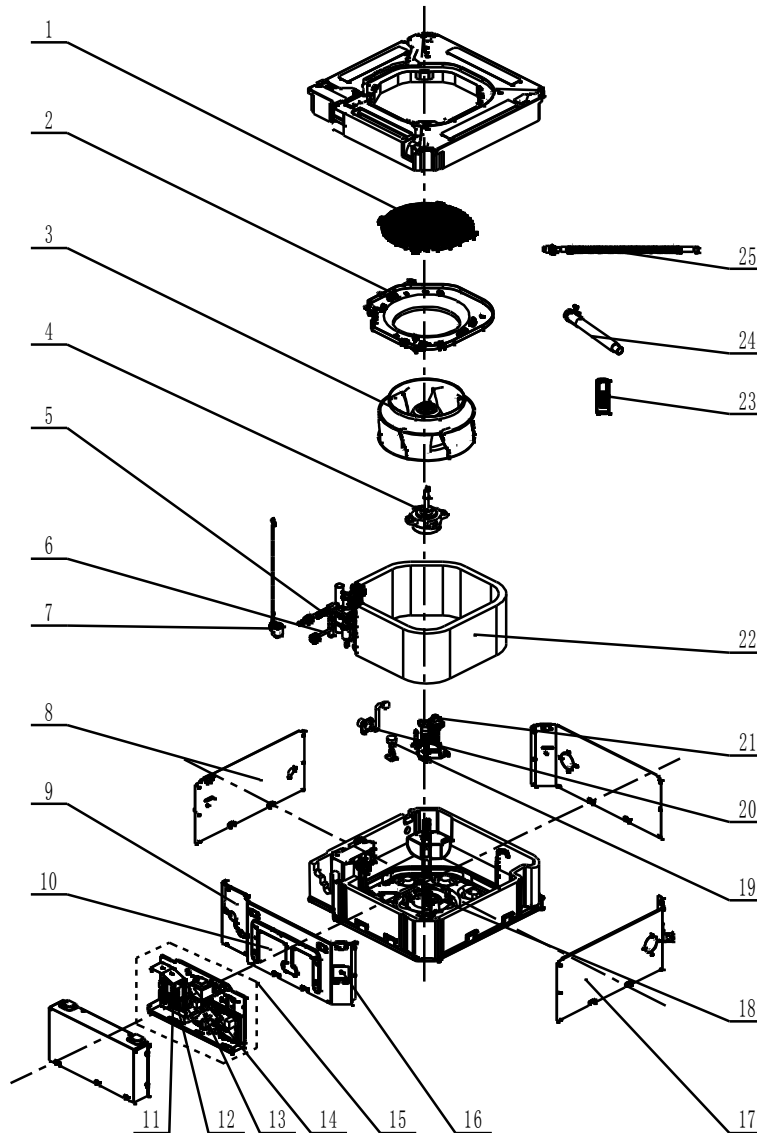
Exploded View of GMV-ND22T/B-T, GMV-ND28T/B-T, GMV-ND36T/B-T, GMV-ND45T/B-T, GMV-ND50T/B-T



No.	Name of part	For the following unit		For the following unit	
		Unit	Product Code	Unit	Product Code
		GMV-ND22T/B-T	CM500N0610	GMV-ND36T/B-T	CM500N0630
		GMV-ND28T/B-T	CM500N0620	GMV-ND45T/B-T	CM500N0640
		-	-	GMV-ND50T/B-T	CM500N0600
		Part Code	Quantity	Part Code	Quantity
1	Rear Grill	26909400007	1	26909400007	1
2	Diversion Circle	10479400001	1	10479400001	1
3	Centrifugal Fan	10429400001	1	10429400001	1
4	Brushless DC Motor	1570940000401	1	1570940000401	1
5	Strainer	0741410000601	2	0741410000601	2
6	Corrugated Pipe	0502513401	1	05025112	1
7	Electronic Expansion Valve	07334463	1	07334463	1
8	Electric Expand Valve Fitting	4304413215	1	4304413215	1
9	Left Side Plate Sub-Assy	01319400012	1	01319400012	1
10	Cover Plate Sub-Assy	01269400006	1	01269400006	1
11	Front Side Plate Sub-Assy	01319400014	1	01319400014	1
12	Terminal Board	42011106	1	42011106	1
13	Terminal Board	4201800002601	1	4201800002601	1
14	Main Board	30226000029	1	30226000029	1
15	Transformer	43118000015	1	43118000015	1
16	Electric Box Assy	01394100456	1	01394100456	1
17	Body Installing Support	01332705	4	01332705	4
18	Right Side Plate Sub-Assy	01319400013	2	01319400013	2
19	Base Plate Assy	02229400007	1	02229400007	1
20	Liquid Level Switch	450102013	1	450102013	1
21	Pump Drainpipe	04269400001	1	04269400001	1
22	Water Pump	43138000024	1	43138000024	1
23	Evaporator Assy	01024100137	1	01024100149	1
24	Remote Controller	30510589	1	30510589	1
25	Drain Hose	05232046	1	05232046	1

Above data is subject to change without notice, pls reference the SP in global service website.

Exploded View of GMV-ND56T/B-T:



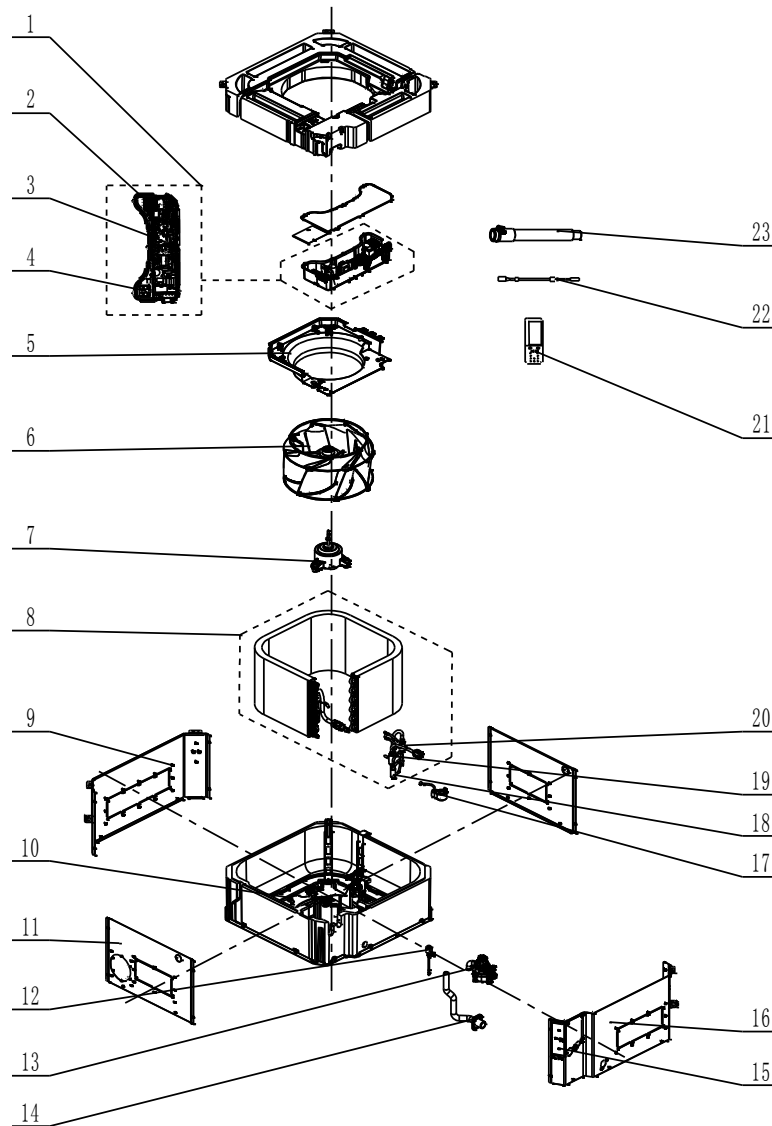
No.	Name of part	For the following unit	
		Unit	Product Code
		GMV-ND56T/B-T	CM500N0650
		Part Code	Quantity
1	Rear Grill	26909400007	1
2	Diversion Circle	10479400001	1
3	Centrifugal Fan	10429400001	1
4	Brushless DC Motor	1570940000401	1
5	Strainer	0741410000601	2
6	Electronic Expansion Valve	07334463	1
7	Electric Expand Valve Fitting	4304413215	1
8	Left Side Plate Sub-Assy	01319400012	1
9	Cover Plate Sub-Assy	01269400006	1
10	Front Side Plate Sub-Assy	01319400014	1
11	Terminal Board	42011106	1
12	Terminal Board	4201800002601	1
13	Main Board	30226000029	1
14	Transformer	43118000015	1

No.	Name of part	For the following unit	
		Unit	Product Code
		GMV-ND56T/B-T	CM500N0650
		Part Code	Quantity
15	Electric Box Assy	01394100456	1
16	Body Installing Support	01332705	4
17	Right Side Plate Sub-Assy	01319400013	2
18	Base Plate Assy	02229400007	1
19	Liquid Level Switch	450102013	1
20	Pump Drainpipe	04269400001	1
21	Water Pump	43138000024	1
22	Evaporator Assy	01024100152	1
23	Remote Controller	30510589	1
24	Drain Hose	05232046	1
25	Corrugated Pipe	05015408	1

Above data is subject to change without notice, pls reference the SP in global service website.

5.6 360° Air Discharge Compact Cassette Type

Exploded View of GMV-ND15T/E-T, GMV-ND18T/E-T, GMV-ND22T/E-T, GMV-ND28T/E-T, GMV-ND36T/E-T, GMV-ND45T/E-T, GMV-ND50T/E-T

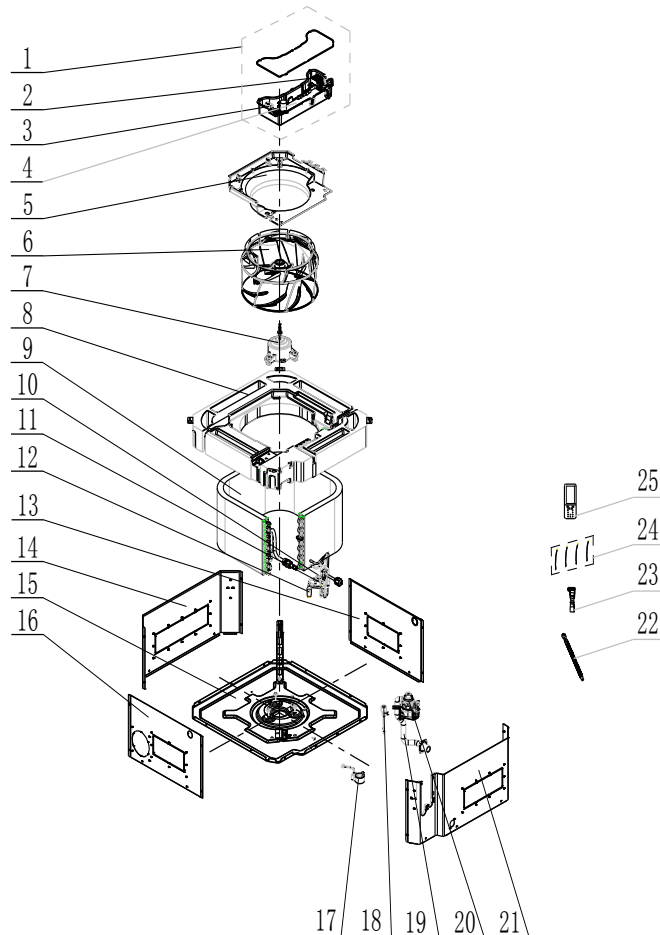


No.	Name of part	For the following unit		For the following unit	
		Unit	Product Code	Unit	Product Code
		GMV-ND15T/E-T	CM500N1690	GMV-ND36T/E-T	CM500N1330
		GMV-ND18T/E-T	CM500N1700	GMV-ND45T/E-T	CM500N1310
		GMV-ND22T/E-T	CM500N1350	GMV-ND50T/E-T	CM500N1320
		GMV-ND28T/E-T	CM500N1340	-	-
		Part Code	Quantity	Part Code	Quantity
1	Electric Box Assy	100002062898	1	100002062898	1
2	Terminal Board	42200006000401	1	42200006000401	1
3	Main Board	300002000782	1	300002000782	1
4	Terminal Board	42011106	1	42011106	1
5	Flow Guide Loop	200150060003	1	200150060003	1
6	Centrifugal Fan	103003060008	1	103003060008	1
7	Brushless DC Motor	150104060012	1	150104060012	1
8	Evaporator Assy	01100106037302	1	01100106037301	1

No.	Name of part	For the following unit		For the following unit	
		Unit	Product Code	Unit	Product Code
		GMV-ND15T/E-T	CM500N1690	GMV-ND36T/E-T	CM500N1330
		GMV-ND18T/E-T	CM500N1700	GMV-ND45T/E-T	CM500N1310
		GMV-ND22T/E-T	CM500N1350	GMV-ND50T/E-T	CM500N1320
		GMV-ND28T/E-T	CM500N1340	-	-
		Part Code	Quantity	Part Code	Quantity
9	Side Plate	012010060175	1	012010060175	1
10	Seat Board Sub-Assy	017080060023	1	017080060023	1
11	Side Plate	12010060177	2	12010060177	2
12	Liquid Level Switch	430024000005	1	430024000005	1
13	Water Pump PSB-0.024/1.2-A	4313800005802	1	4313800005802	1
14	Drain Pipe	200070060005	1	200070060005	1
15	Mounting Rack Sub-Assy	017044060011	4	017044060011	4
16	Side Plate	012010060176	1	012010060176	1
17	Electric expand valve fitting	43040001	1	43040001	1
18	Electronic Expansion Valve	072009000006	1	072009000006	1
19	Strainer	07213032	1	07213032	1
20	Strainer	07216221	1	07216221	1
21	Remote Controller	30510589	1	30510589	1
22	Sensor Sub-assy	39008000115G	1	39008000115G	1
23	Drain Hose	05232046	1	05232046	1

Above data is subject to change without notice, pls reference the SP in global service website.

Exploded View of GMV-ND56T/E-T

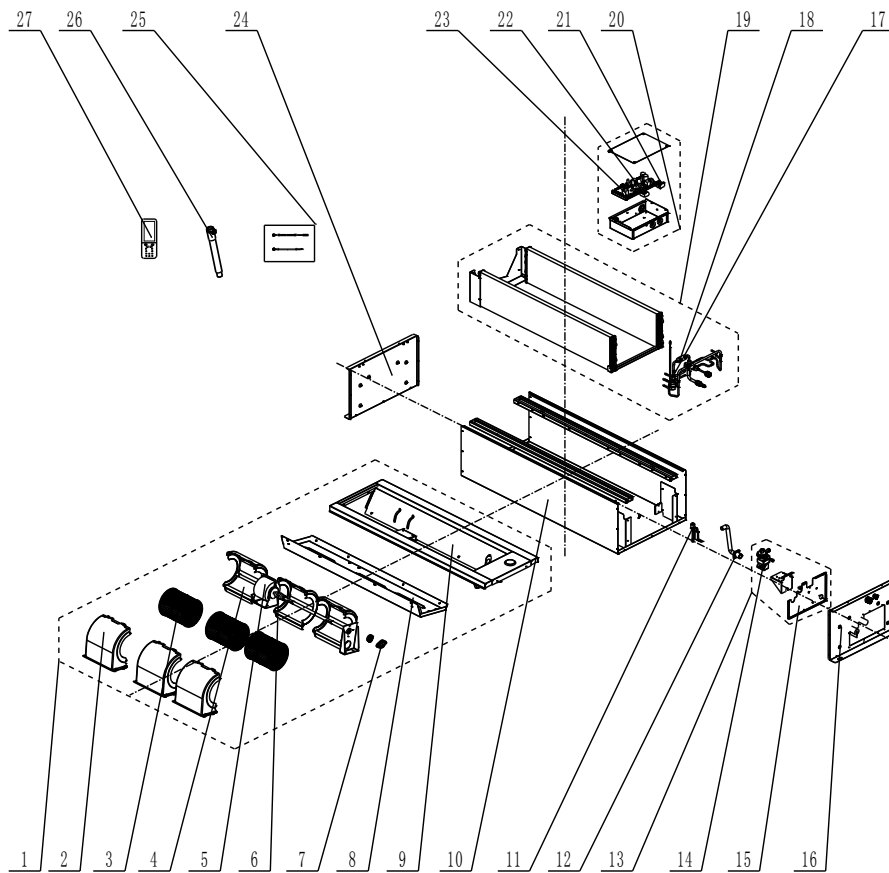


No.	Name of part	For the following unit	
		Unit	Product Code
		GMV-ND56T/E-T	CM500N1300
		Part Code	Quantity
1	Electric Box Assy	100002062898	1
2	Terminal Board	42200006000401	1
3	Terminal Board	42011106	1
4	Main Board	300002000782	1
5	Flow Guide Loop	200150060003	1
6	Centifugal Fan	103003060008	1
7	Brushless DC Motor	150104060012	1
8	Water Tray Assy	000069060065	1
9	Evaporator Assy	011001060373	1
10	Strainer	07216221	1
11	Strainer	07213032	2
12	Electronic Expansion Valve	072009000006	1
13	Side Plate	01201006017701	1
14	Side Plate	012010060175	1
15	Seat Board Sub-Assy	017080060023	4
16	Side Plate	012010060177	1
17	Electric Expand Valve Fitting	43040001	1
18	Liquid Level Switch	430024000005	1
19	Drain Pipe	200070060005	1
20	Water Pump	4313800005802	1
21	Side Plate	017110060042	1
22	Corrugated Pipe	05015408	1
23	Drain Hose Sub-Assy	007008000001	1
24	Sensor Sub-Assy	39008000115G	1
25	Remote Controller	30510589	1

Above data is subject to change without notice, pls reference the SP in global service website.

5.7 2-way Cassette Type

Exploded View of GMV-ND28TS/A-T, GMV-ND36TS/A-T, GMV-ND45TS/A-T, GMV-ND50TS/A-T

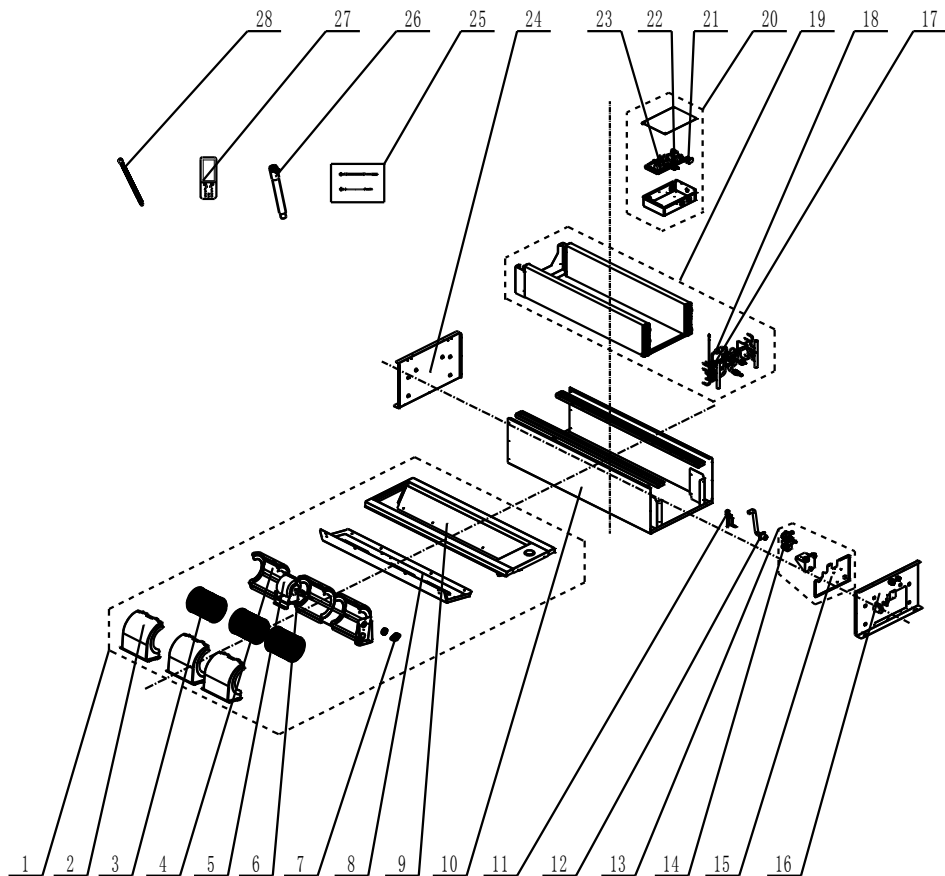


No.	Name of part	For the following unit	
		Unit	Product Code
		GMV-ND28TS/A-T	CM500N0680
		GMV-ND36TS/A-T	CM500N0690
		GMV-ND45TS/A-T	CM500N0700
		GMV-ND50TS/A-T	CM500N0710
		Part Code	Quantity
1	Centrifugal fan assy	15404100048	1
2	Front Volute Casing	22202030	3
3	Centrifugal fan	10319051	3
4	Rear Volute Casing	22202029	3
5	Brushless DC Motor	15704100003	1
6	Joint Slack	73018731	1
7	Support Of Motor Bearing	02285200001	1
8	Water Tray Sub-Assy	01284100137	1
9	Water Tray Sub-Assy2	01284100134	1
10	Base Plate Assy	02224100027	1
11	Liquid Level Switch	43002400000501	1
12	Pump Drainpipe	04615487	1
13	Tube Exit Plate Assy	01344100056	1
14	Water Pump	43138220	1
15	Tube-exit Plate	01344100031	1
16	Right Side Plate	012056060211	1

No.	Name of part	For the following unit	
		Unit	Product Code
		GMV-ND28TS/A-T	CM500N0680
		GMV-ND36TS/A-T	CM500N0690
		GMV-ND45TS/A-T	CM500N0700
		GMV-ND50TS/A-T	CM500N0710
		Part Code	Quantity
17	Electronic Expansion Valve	07334494	1
18	Strainer	0741410000601	2
19	Evaporator Assy	01024100094	1
20	Electric Box Assy	100002061253	1
21	Terminal Board	42011106	1
22	Terminal Board	42200006000401	1
23	Main Board	30226000029	1
24	Left Side Plate	01314100066	1
25	Sensor Sub-assy	39008000013G	1
26	Drain Hose	05232046	1
27	Remote Controller	30510589	1

Above data is subject to change without notice, pls reference the SP in global service website.

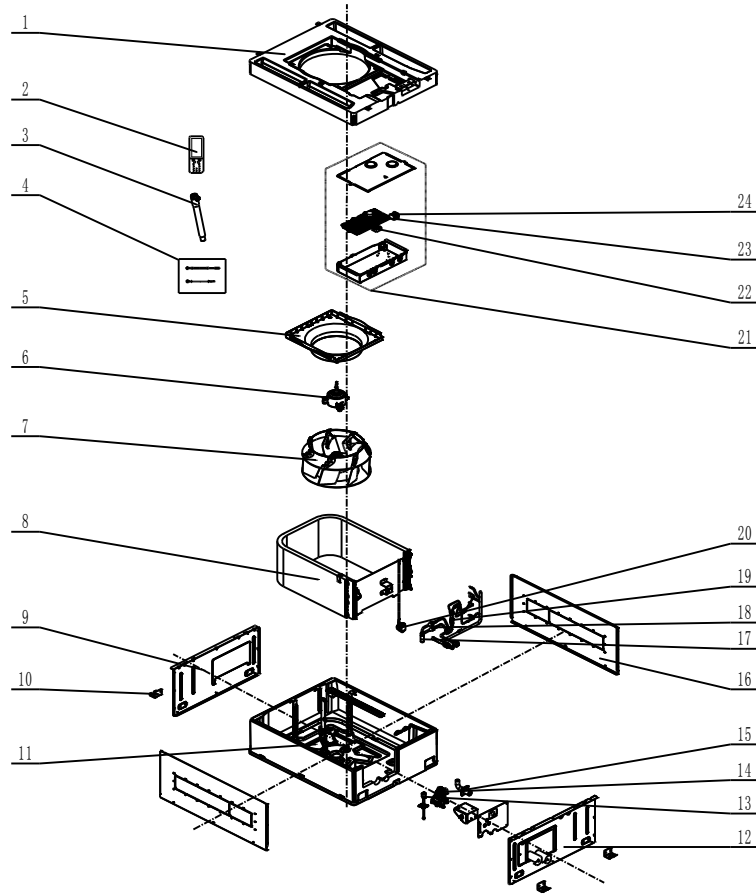
Exploded View of GMV-ND56TS/A-T, GMV-ND63TS/A-T, GMV-ND71TS/A-T



No.	Name of part	For the following unit	
		Unit	Product Code
		GMV-ND56TS/A-T	CM500N0720
		GMV-ND63TS/A-T	CM500N0730
		GMV-ND71TS/A-T	CM500N0740
		Part Code	Quantity
1	Centrifugal fan assy	15404100048	1
2	Front Volute Casing	22202030	3
3	Centrifugal fan	10319051	3
4	Rear Volute Casing	22202029	3
5	Brushless DC Motor	15704100003	1
6	Joint Slack	73018731	1
7	Support Of Motor Bearing	02285200001	1
8	Water Tray Sub-Assy	01284100137	1
9	Water Tray Sub-Assy2	01284100134	1
10	Base Plate Assy	02224100027	1
11	Liquid Level Switch	43002400000501	1
12	Pump Drainpipe	04615487	1
13	Tube Exit Plate Assy	01344100056	1
14	Water Pump	43138220	1
15	Tube-exit Plate	01344100031	1
16	Right Side Plate	012056060211	1
17	Electronic Expansion Valve	07334493	1
18	Strainer	0741410000601	2
19	Evaporator Assy	01024100093	1
20	Electric Box Assy	100002061253	1
21	Terminal Board	42011106	1
22	Terminal Board	42200006000401	1
23	Main Board	30226000029	1
24	Left Side Plate	01314100066	1
25	Sensor Sub-assy	39008000013G	1
26	Drain Hose	05232046	1
27	Remote Controller	30510589	1
28	Corrugated Pipe	05015408	1

Above data is subject to change without notice, pls reference the SP in global service website.

Exploded View of GMV-ND28TS/B-T, GMV-ND36TS/B-T, GMV-ND45TS/B-T, GMV-ND50TS/B-T:

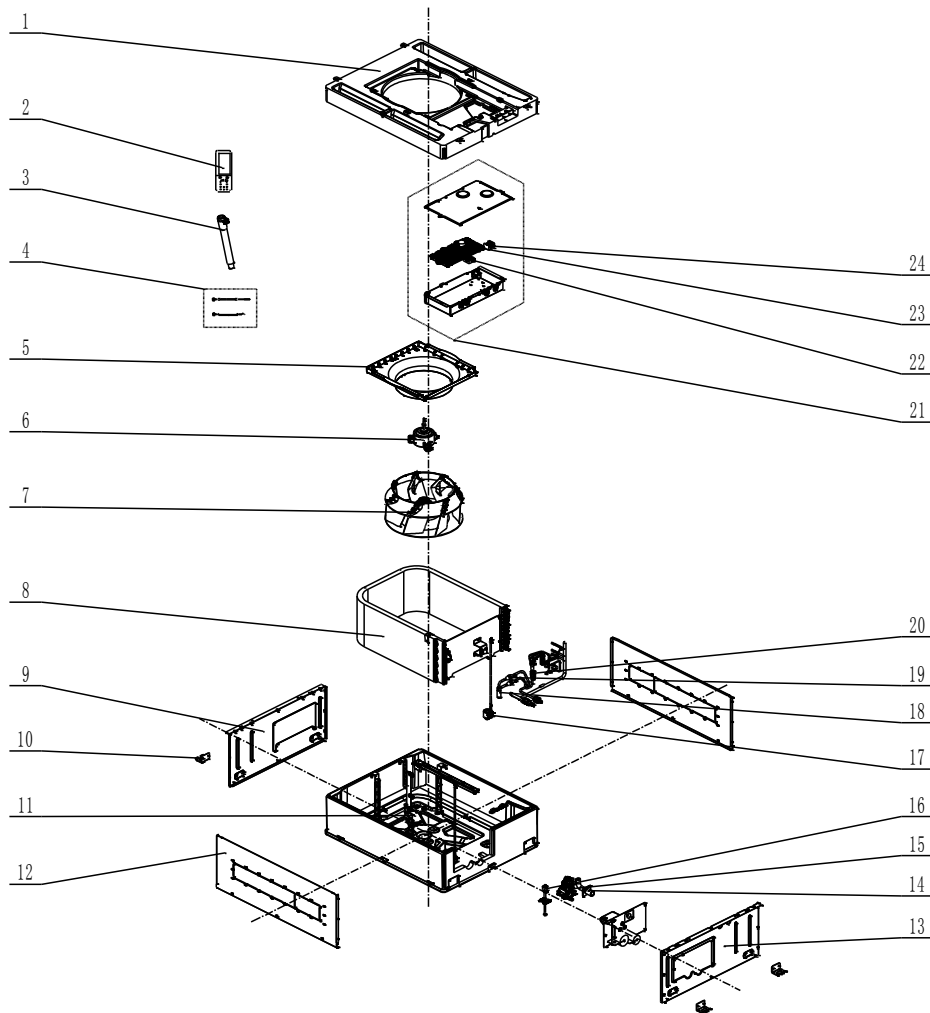


No.	Name of part	For the following unit		For the following unit	
		Unit	Product Code	Unit	Product Code
		GMV-ND28TS/B-T	CM500N1770	GMV-ND36TS/B-T	CM500N1760
		-	-	GMV-ND45TS/B-T	CM500N1780
		-	-	GMV-ND50TS/B-T	CM500N1750
		Part Code	Quantity	Part Code	Quantity
1	Foam Sub- Assy	120011060018	1	120011060018	1
2	Remote Controller	30510589	1	30510589	1
3	Drain Hose	05232046	1	05232046	1
4	Sensor Sub-assy	39008000012G	1	39008000012G	1
5	Diversion Circle	200150060023	1	200150060023	1
6	Brushless DC Motor	15010406001201	1	15010406001201	1
7	Centrifugal Fan	103003060022	1	103003060022	1
8	Evaporator Assy	011001061914	1	011001061838	1
9	Left Side Plate	012055060289	1	012055060289	1
10	Hook	012045060010	4	012045060010	4
11	Seat Board Sub-Assy	017080060159	1	017080060159	1
12	Right Side Plate	012056060340	1	012056060340	1
13	Water Level Switch	45020216	1	45020216	1
14	Water Pump	43138000058	1	43138000058	1
15	Drainage Pipe Assy	000406060029	1	000406060029	1
16	Side Plate	012010061411	2	012010061411	2
17	Electronic Expansion Valve	072009060047	1	072009060047	1
18	Strainer	0721304401	2	0721304401	2

No.	Name of part	For the following unit		For the following unit	
		Unit	Product Code	Unit	Product Code
		GMV-ND28TS/B-T	CM500N1770	GMV-ND36TS/B-T	CM500N1760
		-	-	GMV-ND45TS/B-T	CM500N1780
		-	-	GMV-ND50TS/B-T	CM500N1750
		Part Code	Quantity	Part Code	Quantity
19	Strainer	035021060019	1	035021060019	1
20	Electric Expand Valve Fitting	4304413215	1	4304413215	1
21	Electric Box Assy	100002073715	1	100002073715	1
22	Terminal Board	42200006005404	1	42200006005404	1
23	Main Board	300002060505	1	300002060505	1
24	Terminal Board	42011106	1	42011106	1

Above data is subject to change without notice, pls reference the SP in global service website.

Exploded View of GMV-ND56TS/B-T, GMV-ND63TS/B-T, GMV-ND71TS/B-T, GMV-ND80TS/B-T:

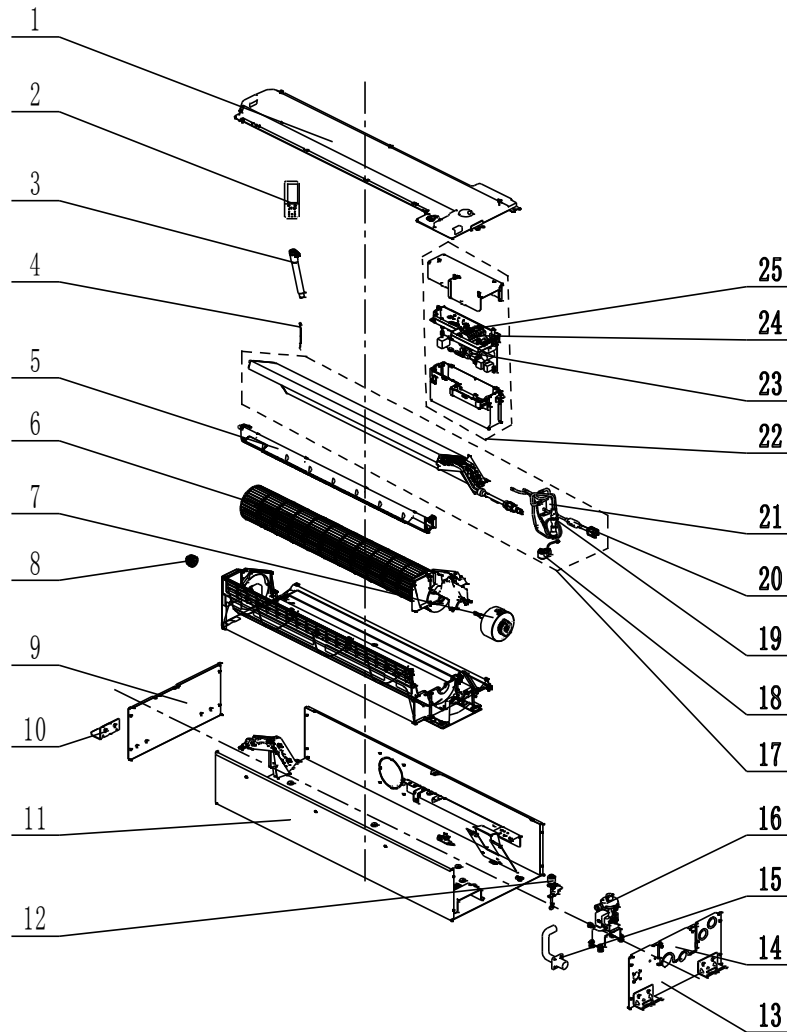


No.	Name of part	For the following unit	
		Unit	Product Code
		GMV-ND56TS/B-T	CM500N1790
		GMV-ND63TS/B-T	CM500N1800
		GMV-ND71TS/B-T	CM500N1810
		GMV-ND80TS/B-T	CM500N1740
		Part Code	Quantity
1	Foam Sub- Assy	120011060018	1
2	Remote Controller	30510589	1
3	Drain Hose	05232046	1
4	Sensor Sub-assy	39008000012G	1
5	Diversion Circle	200150060023	1
6	Brushless DC Motor	15010406001201	1
7	Centrifugal Fan	103003060022	1
8	Evaporator Assy	011001061520	1
9	Left Side Plate	012055060289	1
10	Hook	012045060010	4
11	Seat Board Sub-Assy	017080060159	1
12	Side Plate	012010061411	2
13	Right Side Plate	012056060340	1
14	Drainage Pipe Assy	000406060029	1
15	Water Pump	43138000058	1
16	Water Level Switch	45020216	1
17	Electric Expand Valve Fitting	4304413215	1
18	Electronic Expansion Valve	072009060046	1
19	Strainer	0721304401	2
20	Strainer	035021060019	1
21	Electric Box Assy	100002073715	1
22	Terminal Board	42200006005404	1
23	Main Board	300002060505	1
24	Terminal Board	42011106	1

Above data is subject to change without notice, pls reference the SP in global service website.

5.8 1-way Cassette Type

Exploded View of GMV-ND22TD/A-T, GMV-ND28TD/A-T, GMV-ND36TD/A-T:

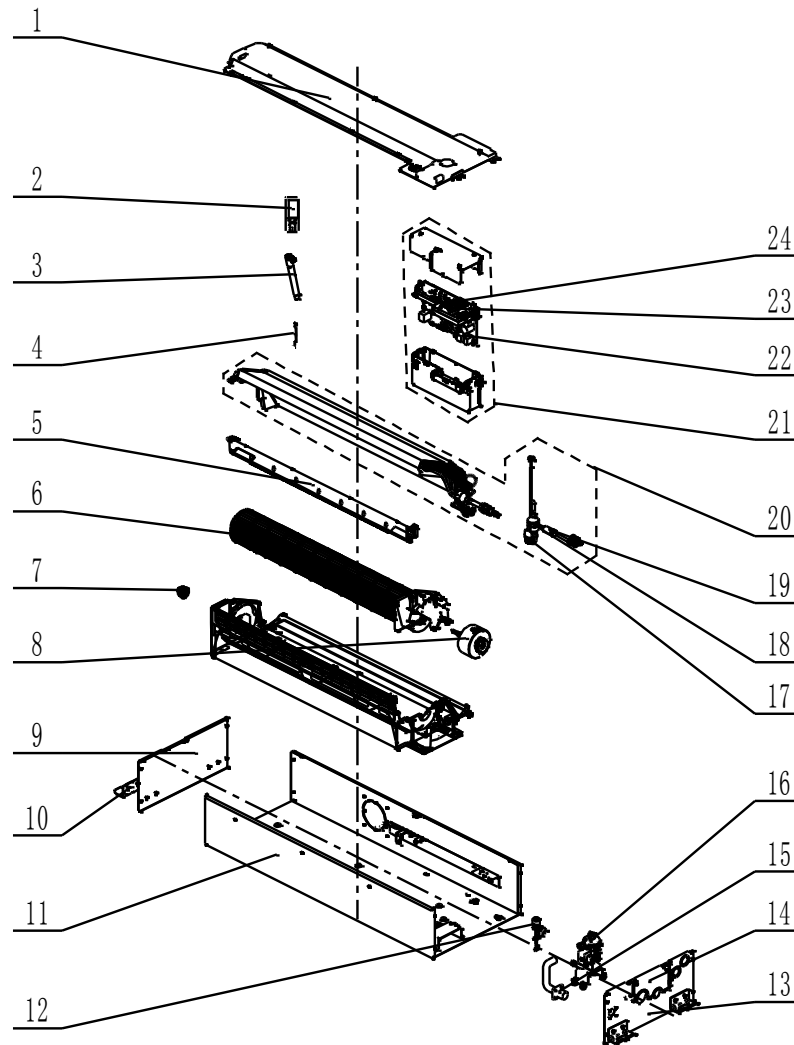


No.	Name of part	For the following unit		For the following unit	
		Unit	Product Code	Unit	Product Code
		GMV-ND22TD/A-T	CM502N0142	GMV-ND36TD/A-T	CM502N0112
		GMV-ND28TD/A-T	CM502N0102	-	-
		Part code	Quantity	Part code	Quantity
1	Water Tray Sub-Assy	01284100011	1	01284100011	1
2	Remote Controller	30510589	1	30510589	1
3	Drain Hose	05232046	1	05232046	1
4	Temperature Sensor	39008000079G	1	39008000079G	1
5	Helicoid Tongue sub-assy	02224100007	1	02224100007	1
6	Cross Flow Fan	10454100001	1	10454100001	1
7	Brushless DC Motor	1501214301	1	1501214301	1
8	O-Gasket of Cross Fan Bearing	76512203	1	76512203	1
9	Left Side Plate	01314100019	1	01314100019	1
10	Hook	02112466	4	02112466	4
11	Chassis Assy	01194100007	1	01194100007	1

No.	Name of part	For the following unit		For the following unit	
		Unit	Product Code	Unit	Product Code
		GMV-ND22TD/A-T	CM502N0142	GMV-ND36TD/A-T	CM502N0112
		GMV-ND28TD/A-T	CM502N0102	-	-
		Part code	Quantity	Part code	Quantity
12	Liquid Level Switch	43002400000501	1	43002400000501	1
13	Right Side Plate	01314100018	1	01314100018	1
14	Tube-exit Plate	01344100018	1	01344100018	1
15	Pump Drainpipe	26905288	1	26905288	1
16	Water Pump	81200706001601	1	81200706001601	1
17	Evaporator Assy	01100106095501	1	011001060955	1
18	Electric expand valve fitting	43040001	1	43040001	1
19	Strainer	0721200102	1	0721200102	1
20	Strainer	07213050	1	07213050	1
21	Electronic Expansion Valve	072009000006	1	072009000006	1
22	Electric Box Assy	100002067511	1	100002067511	1
23	Main Board	30226000029	1	30226000029	1
24	Terminal Board	42200006000401	1	42200006000401	1
25	Terminal Board	42000100000101	1	42000100000101	1

Above data is subject to change without notice, pls reference the SP in global service website.

Exploded View of GMV-ND45TD/A-T, GMV-ND50TD/A-T:

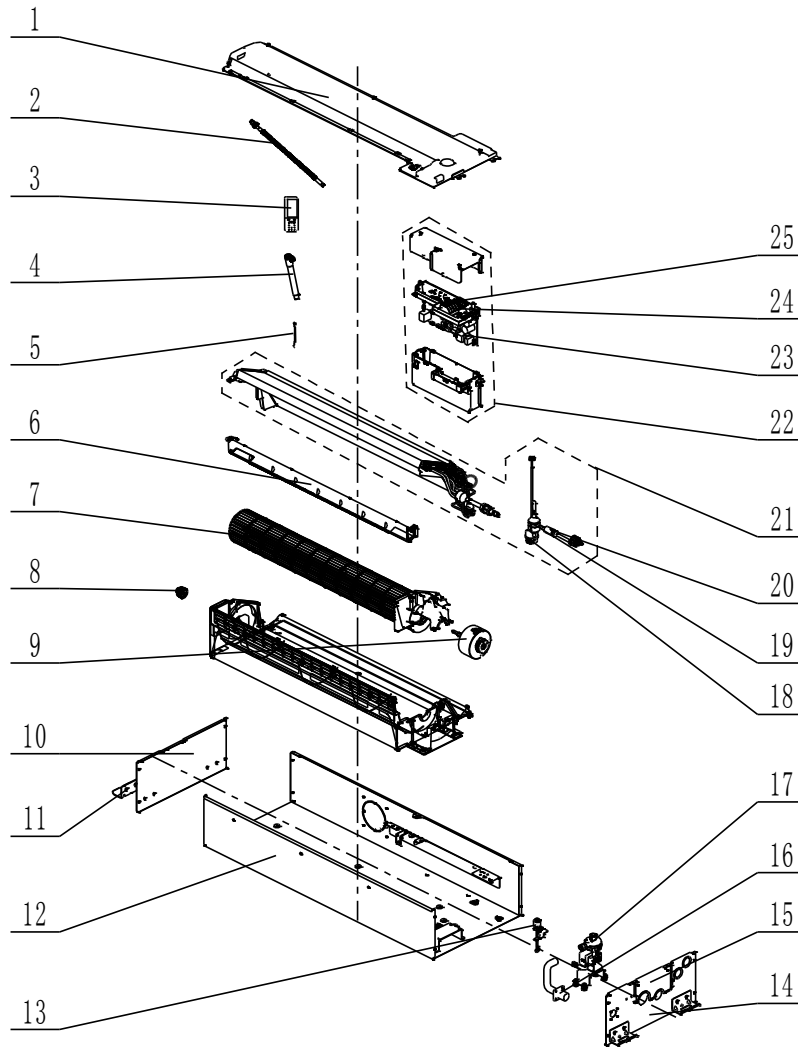


No.	Name of part	For the following unit	
		Unit	Product Code
		GMV-ND45TD/A-T	CM502N0122
		GMV-ND50TD/A-T	CM502N0132
		Part code	Quantity
1	Water Tray Sub-Assy	01284100011	1
2	Remote Controller	30510589	1
3	Drain Hose	05232046	1
4	Temperature Sensor	39008000079G	1
5	Helicoid Tongue sub-assy	02224100007	1
6	Cross Flow Fan	10454100001	1
7	O-Gasket of Cross Fan Bearing	76512203	1
8	Brushless DC Motor	1501214301	1
9	Left Side Plate	01314100019	1
10	Hook	02112466	4
11	Chassis Assy	01194100007	1
12	Liquid Level Switch	43002400000501	1

No.	Name of part	For the following unit	
		Unit	Product Code
		GMV-ND45TD/A-T	CM502N0122
		GMV-ND50TD/A-T	CM502N0132
		Part code	Quantity
13	Right Side Plate	01314100018	1
14	Tube-exit Plate	01344100018	1
15	Pump Drainpipe	26905288	1
16	Water Pump	4313822001	1
17	Electronic Expansion Valve	07334494	1
18	Strainer	07415210	1
19	Strainer	0741410002501	1
20	Evaporator Assy	01024100014	1
21	Electric Box Assy	01394100396	1
22	Main Board	30226000029	1
23	Terminal Board	4201800002601	1
24	Terminal Board	42000100000101	1

Above data is subject to change without notice, pls reference the SP in global service website.

Exploded View of GMV-ND56TD/A-T:

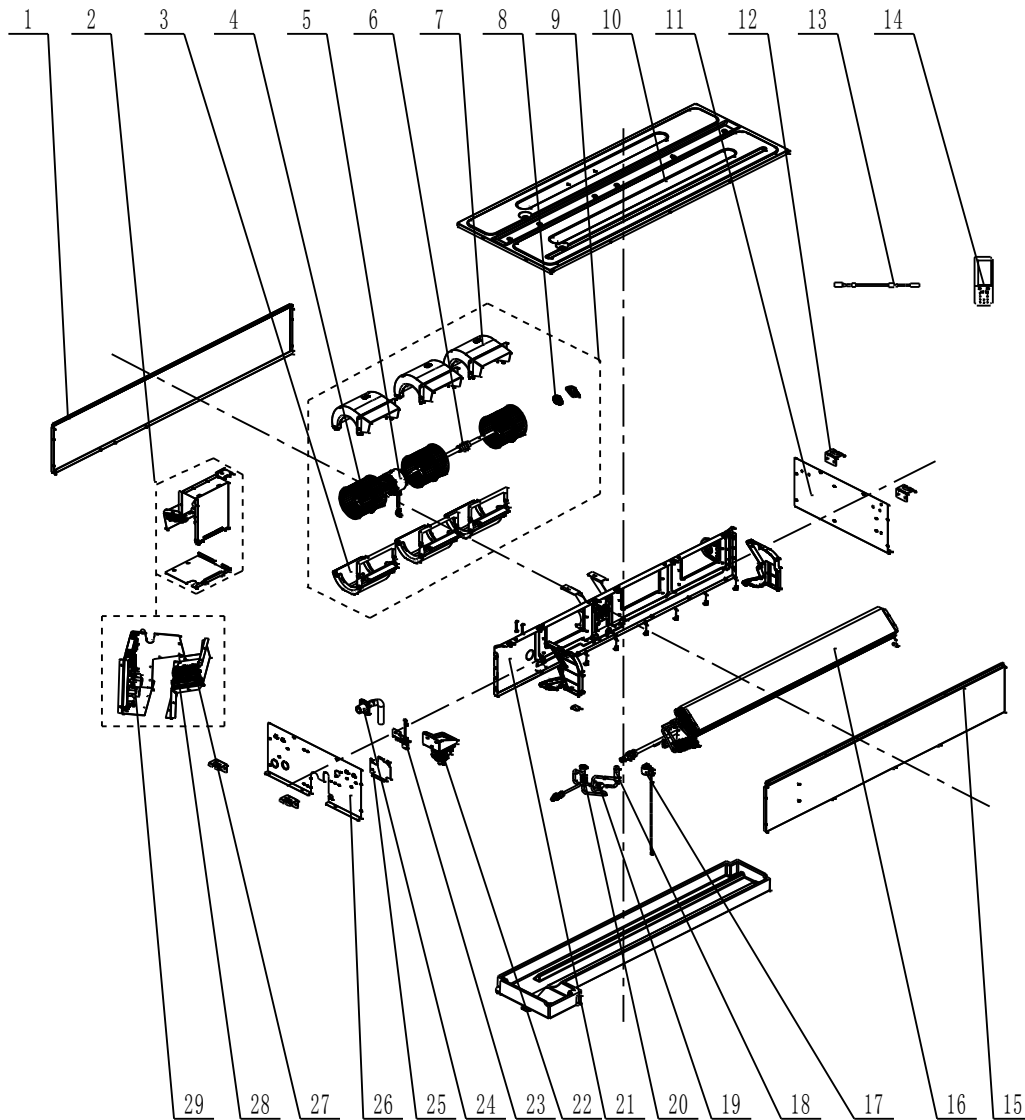


No.	Name of part	For the following unit	
		Unit	Product Code
		GMV-ND56TD/A-T	CM502N0172
		Part code	Quantity
1	Water Tray Sub-Assy	01284100011	1
2	Corrugated Pipe	05015408	1
3	Remote Controller	30510589	1
4	Drain Hose	05232046	1
5	Temperature Sensor	39008000079G	1
6	Helicoid Tongue sub-assy	02224100007	1
7	Cross Flow Fan	10454100001	1
8	O-Gasket of Cross Fan Bearing	76512203	1
9	Brushless DC Motor	1501214301	1
10	Left Side Plate	01314100019	1
11	Hook	02112466	4
12	Chassis Assy	01194100007	1
13	Liquid Level Switch	43002400000501	1

No.	Name of part	For the following unit	
		Unit	Product Code
		GMV-ND56TD/A-T	CM502N0172
		Part code	Quantity
14	Right Side Plate	01314100018	1
15	Tube-exit Plate	01344100018	1
16	Pump Drainpipe	26905288	1
17	Water Pump	4313822001	1
18	Electronic Expansion Valve	07334494	1
19	Strainer	07415210	1
20	Strainer	0741410002501	1
21	Evaporator Assy	011001000470	1
22	Electric Box Assy	01394100396	1
23	Main Board	30226000029	1
24	Terminal Board	4201800002601	1
25	Terminal Board	42000100000101	1

Above data is subject to change without notice, pls reference the SP in global service website.

Exploded View of GMV-ND63TD/B-T, GMV-ND71TD/B-T, GMV-ND80TD/B-T:



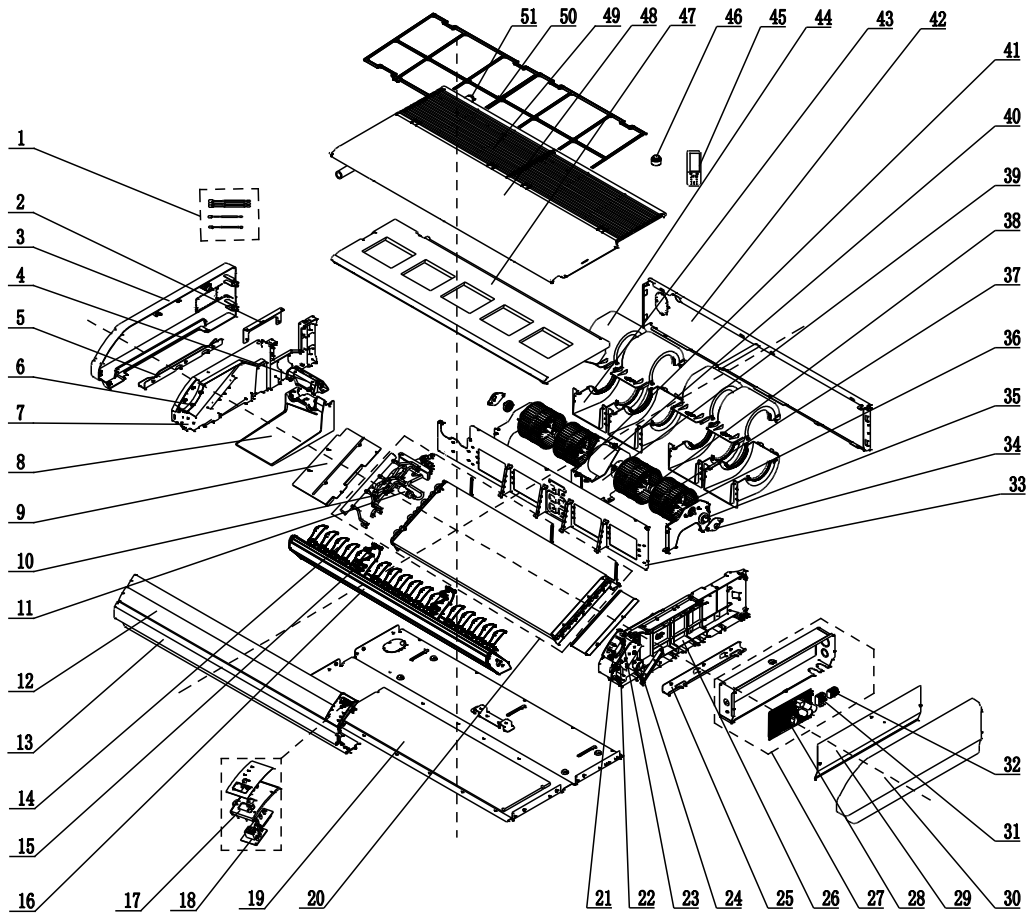
No.	Name of part	For the following unit	
		Unit	Product Code
		GMV-ND63TD/B-T	CM503N1060
		GMV-ND71TD/B-T	CM502N0190
		GMV-ND80TD/B-T	CM502N0200
		Part code	Quantity
1	Behind Cover Plate	012035061674	1
2	Electric Box Assy	100002074743	1
3	Propeller Housing(lower)	26905200019	3
4	Centrifugal Fan	10425200003	3
5	Brushless DC Motor	150104060083	1
6	Joint Slack	73018731	1
7	Propeller Housing(upper)	26905200018	3
8	Bearing Holder Sub-assy	26151139	1
9	Centrifugal Fan Assy	000052060663	1

No.	Name of part	For the following unit	
		Unit	Product Code
		GMV-ND63TD/B-T	CM503N1060
		GMV-ND71TD/B-T	CM502N0190
		GMV-ND80TD/B-T	CM502N0200
	Part code	Quantity	
10	Top Cover	012148060440	1
11	Left Side Plate	012055060503	1
12	Hook	012045060010	4
13	Sensor Sub-assy	390002000005	1
14	Remote Controller	30510589	1
15	Front Cover Plate	012035061673	1
16	Evaporator Assy	011001062307	1
17	Electronic Expansion Valve Fitting	4304413251	1
18	Electronic Expansion Valve	072009060046	1
19	Strainer	035021060019	1
20	Strainer	0721304401	1
21	Blower Mounting Plate Sub-Assy	017004060049	1
22	Water Pump	4313800005804	1
23	Liquid Level Switch	43002400000502	1
24	Pump Drainpipe	26909400069	1
25	Seal Plate Assy	000112060127	1
26	Right Side Plate	012056060558	1
27	Terminal Board(3-bit)	422000060013	1
28	Terminal Board(4-bit)	42200006005404	1
29	Main Board	300002061896	1

Above data is subject to change without notice, pls reference the SP in global service website.

5.9 Floor Ceiling Type

Exploded View of GMV-ND28ZD/A-T, GMV-ND36ZD/A-T, GMV-ND50ZD/A-T, GMV-ND56ZD/A-T :

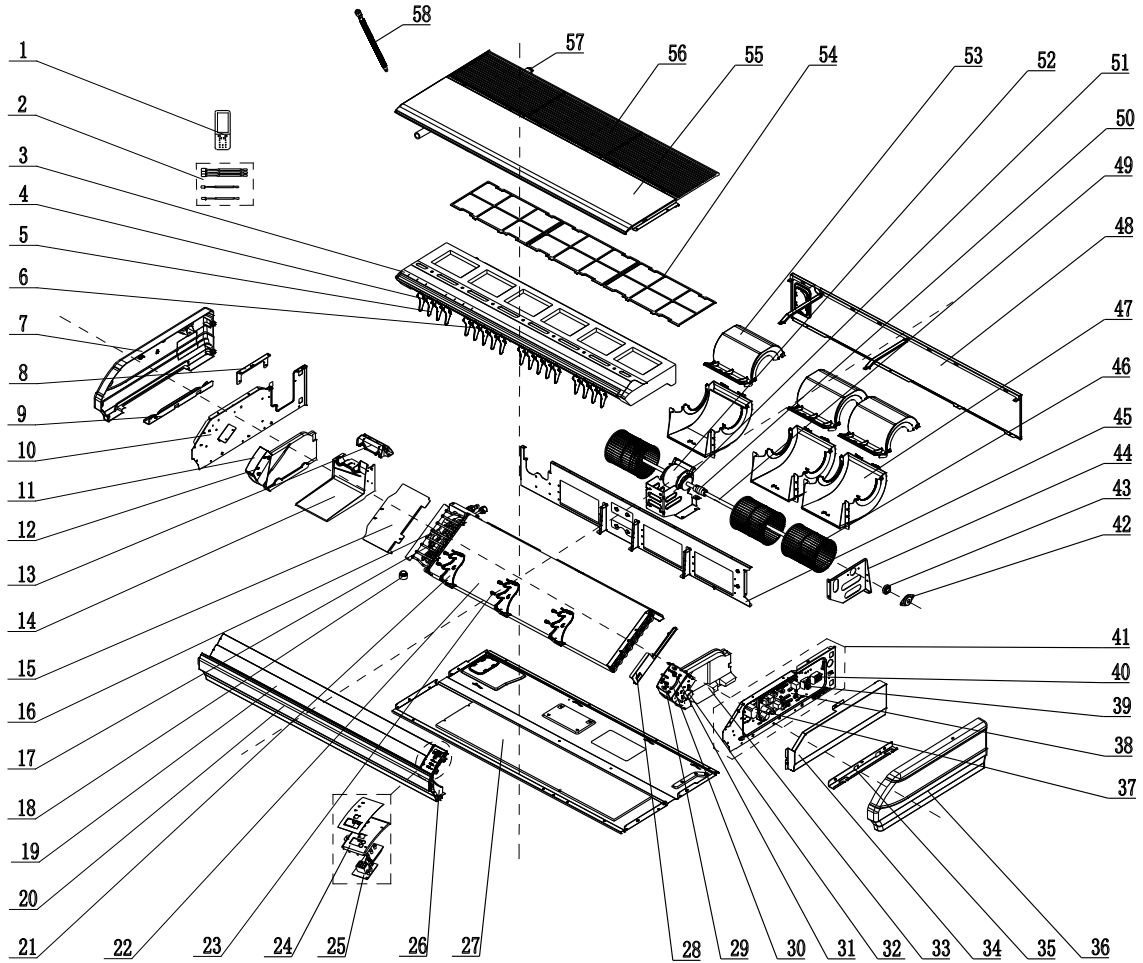


No.	Name of part	For the following unit	
		Unit	Product Code
		GMV-ND28ZD/A-T	CM600N0350
		GMV-ND36ZD/A-T	CM600N0360
		GMV-ND50ZD/A-T	CM600N0320
		GMV-ND56ZD/A-T	CM600N0400
		Part code	Quantity
1	Sensor Sub-Assy	39008000101G	1
2	Connection Board	02229406	1
3	Right Cover Plate	26909444	1
4	Plate Board of Water Releasing Flume	26909442	1
5	Installation Supporting Frame(right)	01809402	1
6	Axile Bush	10542704	2
7	Right Cover Plate	26909446	1
8	Water Releasing Flume	02284106P	1
9	Connected Board (Evaporator)	01344115	1
10	Electronic Expansion Valve	07334463	1
11	Strainer	0741410000601	2
12	Guide Louver	10619403	2
13	Front Connection Board	01349414P	1
14	Air Louver	10619404	16
15	Rotating Shaft 3	26909430	4

No.	Name of part	For the following unit	
		Unit	Product Code
		GMV-ND28ZD/A-T	CM600N0350
		GMV-ND36ZD/A-T	CM600N0360
		GMV-ND50ZD/A-T	CM600N0320
		GMV-ND56ZD/A-T	CM600N0400
		Part code	Quantity
16	Guide Louver Supporter Sub-Assy	0180941601	1
17	Fixed Mount(Display board)	26909426R	1
18	Display Board	30294000009	1
19	Rear Side Plate Sub-Assy	01319400009	1
20	Evaporator Assy	01024100096	1
21	Rotating Shaft 1	26909413	1
22	Connecting Rod	26909411	1
23	Rotating Shaft 2	26909412	1
24	Stepping Motor	1521240206	1
25	Installation Supporting Frame(left)	01809401	1
26	Left Side Plate Sub-Assy	01319428	1
27	Electric Box Assy	01394100343	1
28	Main Board	30226000029	1
29	Electric Box Cover	01429420	1
30	Left Cover Plate	26909443	1
31	Terminal Board	42011106	1
32	Terminal Board	4201800002601	1
33	Mid-clapboard sub-Assy	01249416	1
34	Support Of Motor Bearing	01792408	2
35	O-Gasket of Bearing	76512404	1
36	Rotary Axis Sub-Assy	73018000037	2
37	Centrifugal Fan	10425200	4
38	Joint Slack	73018731	2
39	Supporter 2	01809400024	1
40	Brushless DC Motor	15704100001	1
41	Supporter 1	01809400023	1
42	Rear Connection board	01349422	1
43	Front Volute Casing	26905205	4
44	Rear Volute Casing	26905206	4
45	Remote Controller	30510589	1
46	Electric expand valve fitting	4304413203	1
47	Water Tray Assy	01289404	1
48	Top Cover Board Sub-assy	01269409	1
49	Front Grill	26909447	1
50	Filter Sub-Assy	11729402	1
51	Drainage Pipe Sub-assy	05235434	1

Above data is subject to change without notice, pls reference the SP in global service website.

Exploded View of GMV-ND63ZD/A-T, GMV-ND71ZD/A-T, GMV-ND90ZD/A-T:



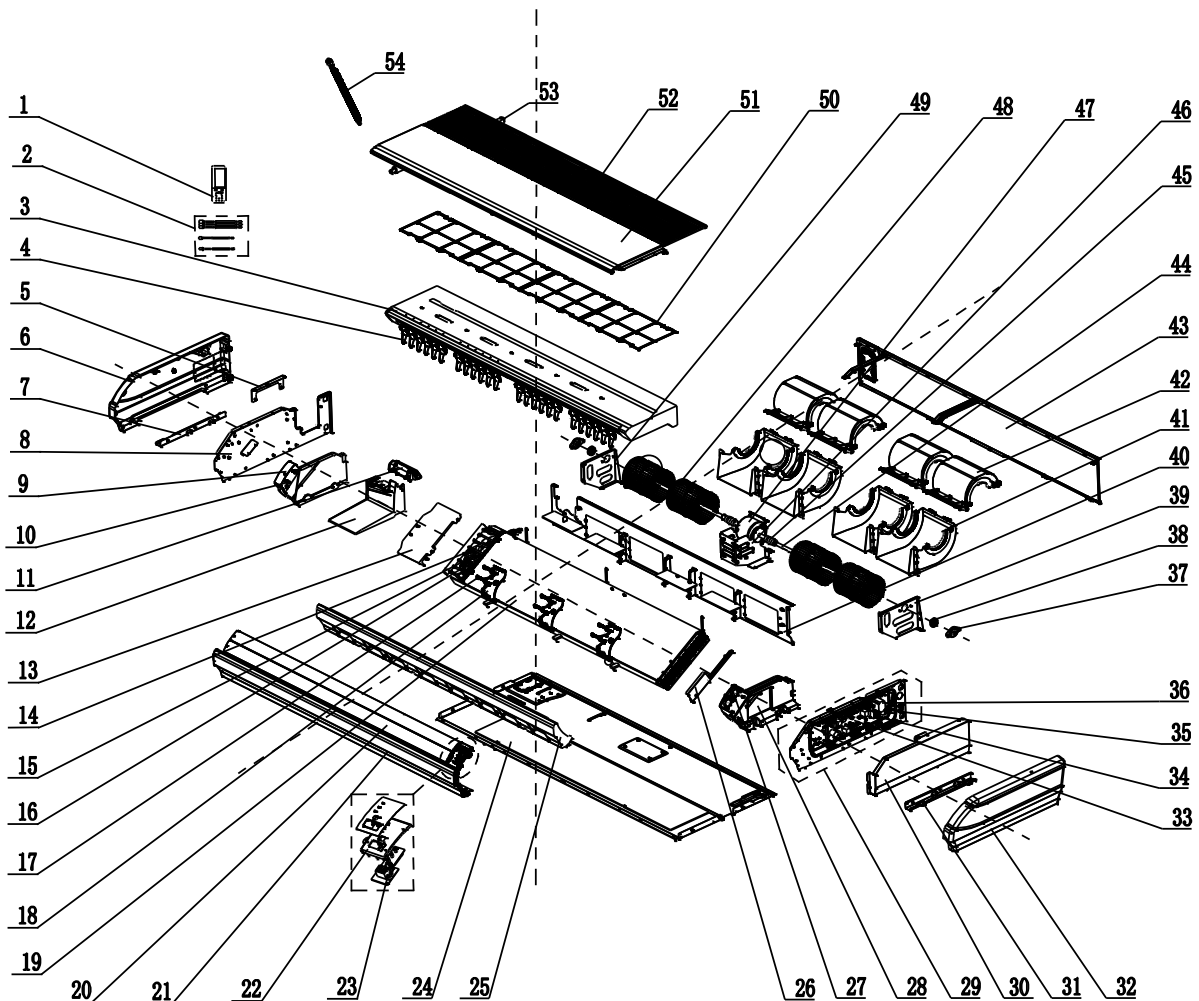
No.	Name of part	For the following unit	
		Unit	Product Code
		GMV-ND63ZD/A-T	CM600N0410
		GMV-ND71ZD/A-T	CM600N0370
		GMV-ND90ZD/A-T	CM600N0330
		Part code	Quantity
1	Remote Controller	30510589	1
2	Sensor Sub-assy	39008000100G	1
3	Water Tray Assy	01289405	1
4	Swing Lever	10582008	2
5	Air Louver	26909418	18
6	Swing Lever	10582009	2
7	Right Cover Plate	26909422	1
8	Connection Board	02229406	1
9	Installation Supporting Frame	01809402	1
10	Right Side Plate Sub-Assy	01319408	1
11	Right Foam Assy	12509425	1
12	Axile Bush	10542704	2
13	Plate Board of Water Releasing Flume	26909442	1

No.	Name of part	For the following unit	
		Unit	Product Code
		GMV-ND63ZD/A-T	CM600N0410
		GMV-ND71ZD/A-T	CM600N0370
		GMV-ND90ZD/A-T	CM600N0330
		Part code	Quantity
14	Water Releasing Flume	26909441	1
15	connected board (evaporator)	01344108	1
16	Strainer	0741410000601	2
17	Electronic Expansion Valve	07334466	1
18	Electric expand valve fitting	4304413203	1
19	Guide Louver	26909432	2
20	Front Connection Board	01349408P	1
21	Supporter	26909409	3
22	Evaporator Assy	01024100104	1
23	Rotating Shaft	26909430	6
24	Fixed Mount	26909426R	1
25	Display Board	30294000009	1
26	Front Connection Board Foam Assy	12509424	1
27	Rear Side Plate Sub-Assy	01319400006	1
28	Water Releasing Flume	02289402P	1
29	Rotating Shaft	26909413	1
30	Connecting Rod	26909411	1
31	Rotating Shaft	26909412	1
32	Stepping Motor	1521240206	1
33	Left Foam Assy	12509408	1
34	Electric Box Cover	01429400019	1
35	Installation Supporting Frame	01809421	1
36	Left Cover Plate	26909416	1
37	Inductance	43128000014	1
38	Main Board	30226000027	1
39	Terminal Board	42011106	1
40	Terminal Board	4201800002601	1
41	Electric Box Assy	01394100344	1
42	Support Of Motor Bearing	01792408	1
43	O-Gasket of Bearing	76512404	1
44	Bracket 1	01809404	1
45	Clapboard Sub-Assy	01249400002	1
46	Centrifugal fan	1041410101	3
47	Front volute casing	26905208	3
48	Rear Connection board	01349418	1

No.	Name of part	For the following unit	
		Unit	Product Code
		GMV-ND63ZD/A-T	CM600N0410
		GMV-ND71ZD/A-T	CM600N0370
		GMV-ND90ZD/A-T	CM600N0330
		Part code	Quantity
49	Rotary Axis Sub-Assy	73018052	1
50	Joint Slack	73018731	1
51	Motor Support Sub-Assy	01809400029	1
52	Brushless DC Motor	15705200005	1
53	Rear volute casing	26909419	3
54	Filter Sub-Assy	26909435	1
55	Top Cover Board Sub-assy	01269405	1
56	Front grill	26909434	3
57	Drainage Pipe Sub-assy	05235434	1
58	Corrugated Pipe	05015408	1

Above data is subject to change without notice, pls reference the SP in global service website.

Exploded View of GMV-ND112ZD/A-T, GMV-ND125ZD/A-T, GMV-ND140ZD/A-T:

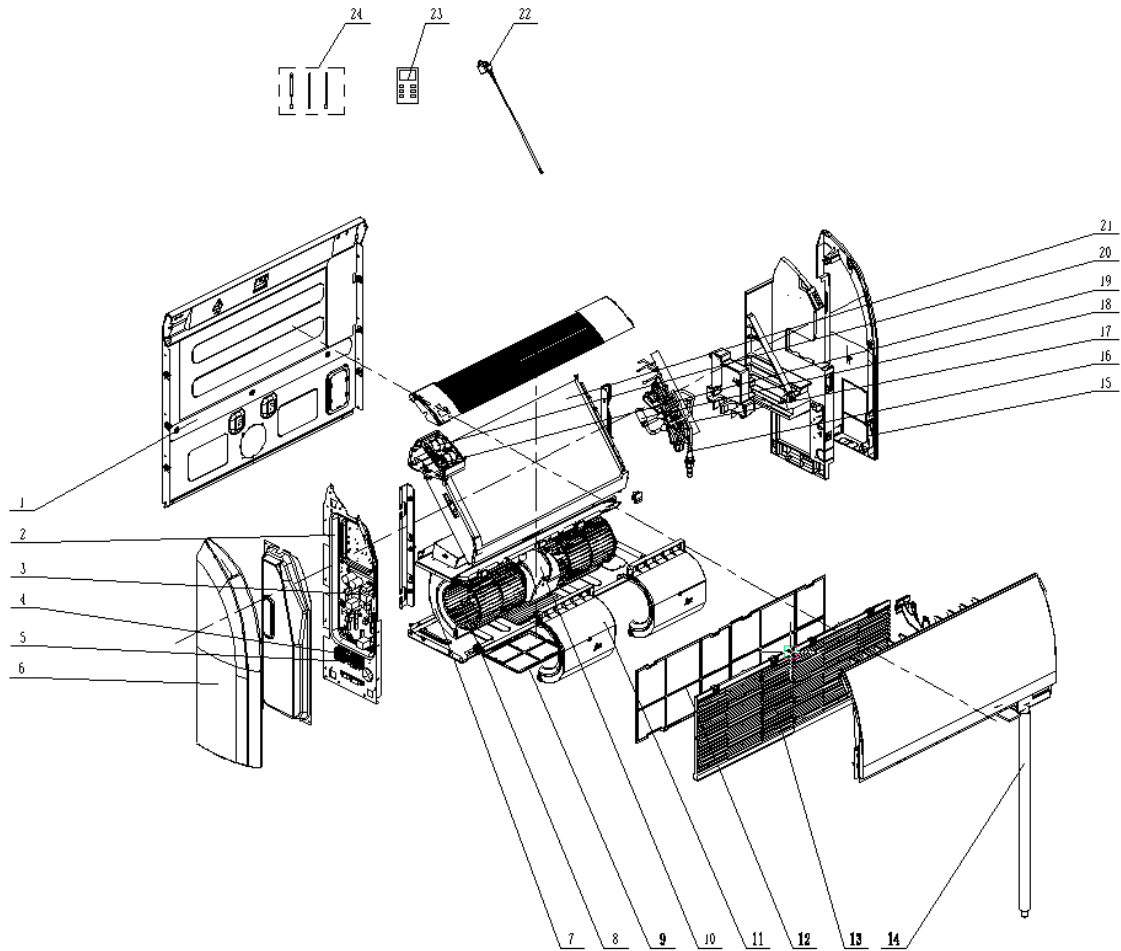


No.	Name of part	For the following unit	
		Unit	Product Code
		GMV-ND112ZD/A-T	CM600N0380
		GMV-ND125ZD/A-T	CM600N0390
		GMV-ND140ZD/A-T	CM600N0340
		GMV-ND160ZD/A-T	CM600N0500
		Part code	Quantity
1	Remote Controller	30510589	1
2	Sensor Sub-assy	39008000100G	1
3	Water Tray Assy	01289401	1
4	Air Louver	26909418	24
5	Connection Board	02229406	1
6	Right Cover Plate	26909422	1
7	Installation Supporting Frame	01809402	1
8	Right Side Plate Sub-Assy	01319408	1
9	Right Foam Assy	12509425	1
10	Axile Bush	10542704	2
11	Plate Board of Water Releasing Flume	26909442	1
12	Water Releasing Flume	26909441	1
13	connected board (evaporator)	01344108	1
14	Strainer	0741410000601	2
15	Electronic Expansion Valve	07334468	1
16	Electric expand valve fitting	4304413203	1
17	Rotating Shaft	26909430	6
18	Supporter	26909409	3
19	Evaporator Assy	01024100105	1
20	Guide Louver	10619405	2
21	Front Connection Board	01349404P	1
22	Fixed Mount	26909426R	1
23	Display Board	30294000009	1
24	Rear Side Plate Sub-Assy	01319442	1
25	Front Connection Board Foam Assy	12509434	1
26	Water Releasing Flume	02289402P	1
27	Stepping Motor	1521240206	2
28	Left Foam Assy	12509437	1
29	Electric Box Assy	01394100344	1
30	Electric Box Cover	01429410P	1
31	Installation Supporting Frame	01809421	1
32	Left Cover Plate	26909416	1
33	Main Board	30226000027	1
34	Terminal Board	42011106	1

No.	Name of part	For the following unit	
		Unit	Product Code
		GMV-ND112ZD/A-T	CM600N0380
		GMV-ND125ZD/A-T	CM600N0390
		GMV-ND140ZD/A-T	CM600N0340
		GMV-ND160ZD/A-T	CM600N0500
		Part code	Quantity
35	Terminal Board	4201800002601	1
36	Inductance	43128000014	1
37	Support Of Motor Bearing	01792408	2
38	O-Gasket of Bearing	76512404	2
39	Bracket 1	01809404	1
40	Clapboard Sub-Assy	01249400006	1
41	Front volute casing	26905208	4
42	Rear volute casing	26909419	4
43	Rear Connection board	01349419	1
44	Rotary Axis Sub-Assy	73018052	2
45	Joint Slack	73018731	2
46	Motor Support Sub-Assy	0180940002901	1
47	Brushless DC Motor	15709400005	1
48	Centrifugal fan	1041410101	4
49	Supporter	01809403	1
50	Filter	11126002	1
51	Top Cover Board Sub-assy	01269400002	1
52	Front Grill sub-assy	01579401	4
53	Drainage Pipe Sub-assy	05235434	1
54	Corrugated Pipe	05015408	1

Above data is subject to change without notice, pls reference the SP in global service website.

Exploded View of GMV-ND28ZD/B-T, GMV-ND36ZD/B-T, GMV-ND50ZD/B-T, GMV-ND56ZD/B-T :

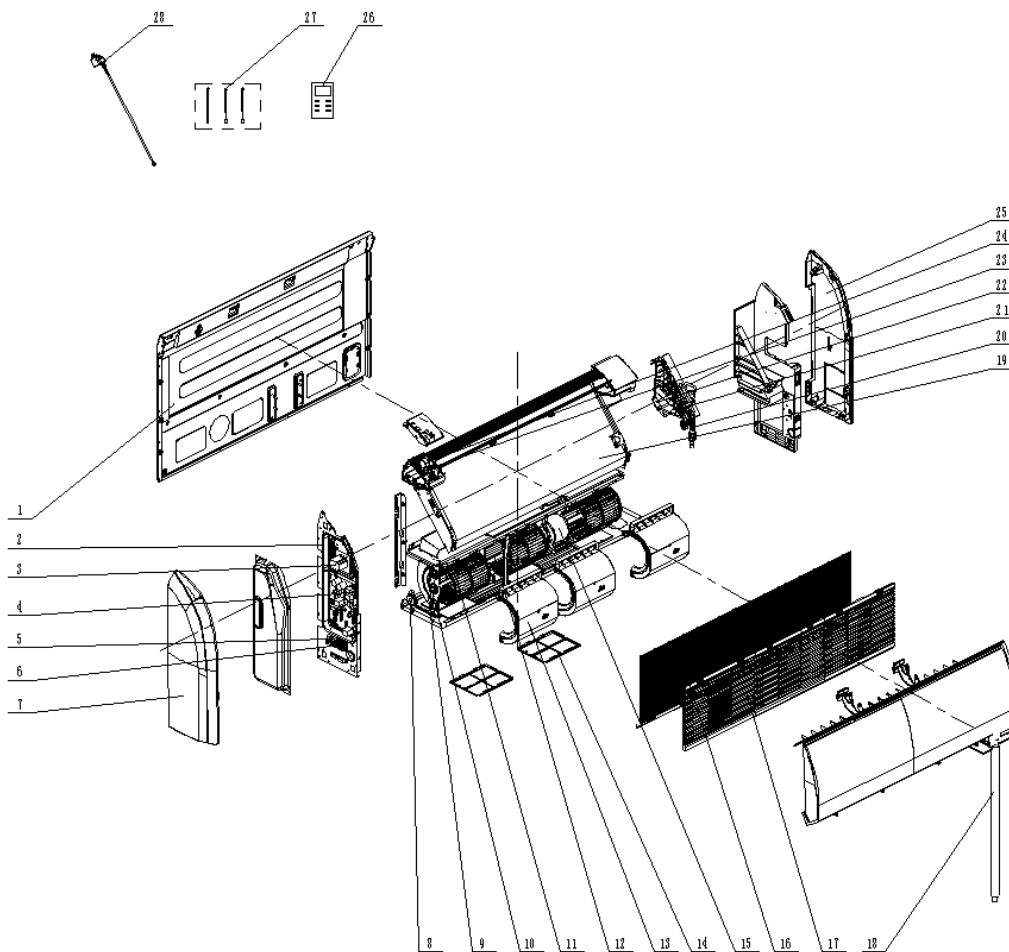


No.	Name of part	For the following unit		For the following unit	
		Unit	Product Code	Unit	Product Code
		GMV-ND28ZD/B-T	CM600N0570	GMV-ND50ZD/B-T	CM600N0510
		GMV-ND36ZD/B-T	CM600N0540	GMV-ND56ZD/B-T	CM600N0580
		Part code	Quantity	Part code	Quantity
1	Seat Board Sub-Assy	017080000040	1	017080000040	1
2	Electric Box Assy	100002071168	1	100002071168	1
3	Main Board	300002061964	1	300002061964	1
4	Terminal Board	42200006005404	1	42200006005404	1
5	Terminal board	42000100000204	1	42000100000204	1
6	Left Side Plate	2690940007001	1	2690940007001	1
7	Propeller Housing(Lower)	200230000001	2	200230000001	2
8	Centrifugal Fan	103003000001	2	103003000001	2
9	Filter Sub-Assy	111001000001	1	111001000001	1
10	Brushless DC Motor	150104060083	1	150104060083	1
11	Propeller Housing(Upper)	200230000002	2	200230000002	2
12	Filter Sub-Assy	1110010000072	2	1110010000072	2
13	Front Grill	20022600000401	2	20022600000401	2
14	Drainage Pipe Sub-Assy	05235434	1	05235434	1
15	Right Side Plate	2690940007101	1	2690940007101	1
16	Corrugated Pipe	0502513401	1	0502513401	1
17	Strainer	0721304401	2	0721304401	2
18	Electronic Expansion Valve	072009060047	1	072009060047	1

No.	Name of part	For the following unit		For the following unit	
		Unit	Product Code	Unit	Product Code
		GMV-ND28ZD/B-T	CM600N0570	GMV-ND50ZD/B-T	CM600N0510
		GMV-ND36ZD/B-T	CM600N0540	GMV-ND56ZD/B-T	CM600N0580
		Part code	Quantity	Part code	Quantity
19	Display Board	30294000009	1	30294000009	1
20	Stepping Motor	1521240215	2	1521240215	2
21	Evaporator Assy	011001061891(28) 011001061663(36)	1	011001061584(50) 011001061892(56)	1
22	Electric Expand Valve Fitting	4304413219	1	4304413219	1
23	Remote Controller	30510589	1	30510589	1
24	Sensor Sub-Assy	39008000101G	1	39008000101G	1

Above data is subject to change without notice, pls reference the SP in global service website.

Exploded View of GMV-ND63ZD/B-T, GMV-ND71ZD/B-T:

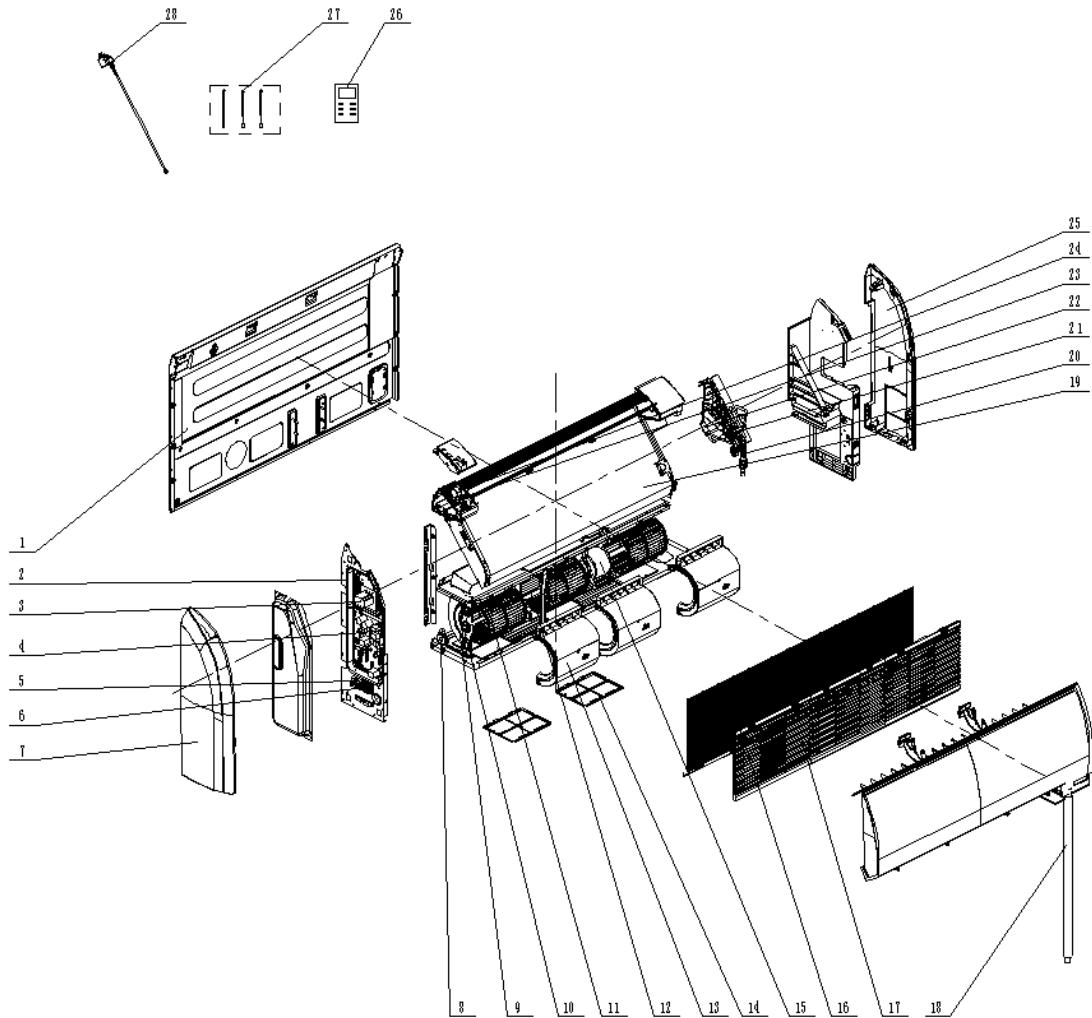


No.	Name of part	For the following unit	
		Unit	Product Code
		GMV-ND63ZD/B-T	CM600N0590
		GMV-ND71ZD/B-T	CM600N0550
		Part code	Quantity
1	Seat Board Sub-Assy	017080000052	1
2	Electric Box Assy	100002070924	1
3	Inductance	43128000014	1
4	Main Board	300002061965	1
5	Terminal Board	42200006005404	1

No.	Name of part	For the following unit	
		Unit	Product Code
		GMV-ND63ZD/B-T	CM600N0590
		GMV-ND71ZD/B-T	CM600N0550
	Part code	Quantity	
6	Terminal board	42000100000204	1
7	Left Side Plate	2690940007001	1
8	Support of Motor Bearing	01792408	1
9	Propeller Housing(Lower)	200230000001	3
10	O-Gasket of Baring	76512404	1
11	Centrifugal Fan	103003000001	3
12	Roller Wheel	700004500433	1
13	Propeller Housing(Upper)	200230000002	3
14	Filter Sub-Assy	111001000001	2
15	Brushless DC Motor	1570520000501	1
16	Filter Sub-Assy	117294000004	3
17	Front Grill	2690940007201	3
18	Drainage Pipe Sub-Assy	05235434	1
19	Evaporator Assy	011001061608	1
20	Corrugated Pipe	0502511204	1
21	Strainer	0721304401	2
22	Electric Expand Valve	072009060046	1
23	Display Board	302940000009	1
24	Stepping Motor	1521240215	2
25	Right Side Plate	2690940007101	1
26	Remote Controller	30510589	1
27	Sensor Sub-Assy	39008000101G	1
28	Electric Expand Valve Fitting	4304413206	1

Above data is subject to change without notice, pls reference the SP in global service website.

Exploded View of GMV-ND90ZD/B-T:

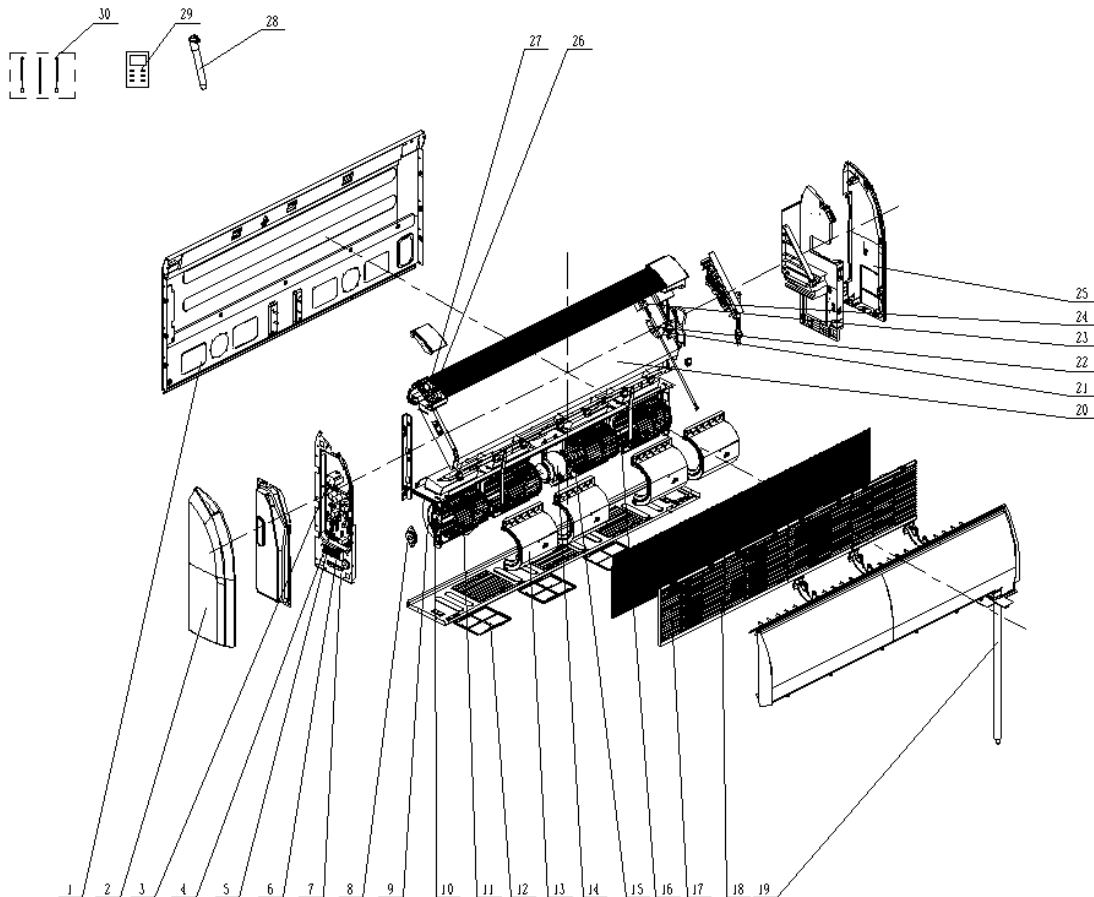


No.	Name of part	For the following unit	
		Unit	Product Code
		GMV-ND90ZD/B-T	CM600N0520
		Part code	Quantity
1	Seat Board Sub-Assy	017080000052	1
2	Electric Box Assy	100002070924	1
3	Inductance	43128000014	1
4	Main Board	300002061965	1
5	Terminal Board	42200006005404	1
6	Terminal board	42000100000204	1
7	Left Side Plate	2690940007001	1
8	Support of Motor Bearing	01792408	1
9	Propeller Housing(Lower)	200230000001	3
10	O-Gasket of Baring	76512404	1
11	Centrifugal Fan	103003000001	3
12	Roller Wheel	700004500433	1
13	Propeller Housing(Upper)	200230000002	3
14	Filter Sub-Assy	111001000001	2
15	Brushless DC Motor	1570520000501	1
16	Filter Sub-Assy	11729400004	3
17	Front Grill	2690940007201	3

No.	Name of part	For the following unit	
		Unit	Product Code
		GMV-ND90ZD/B-T	CM600N0520
		Part code	Quantity
18	Drainage Pipe Sub-Assy	05235434	1
19	Evaporator Assy	011001061579	1
20	Corrugated Pipe	0502511201	1
21	Strainer	0721304401	2
22	Electric Expand Valve	072009060046	1
23	Display Board	30294000009	1
24	Stepping Motor	1521240215	2
25	Right Side Plate	2690940007101	1
26	Remote Controller	30510589	1
27	Sensor Sub-Assy	39008000101G	1
28	Electric Expand Valve Fitting	4304413206	1

Above data is subject to change without notice, pls reference the SP in global service website.

Exploded View of GMV-ND112ZD/B-T, GMV-ND125ZD/B-T:

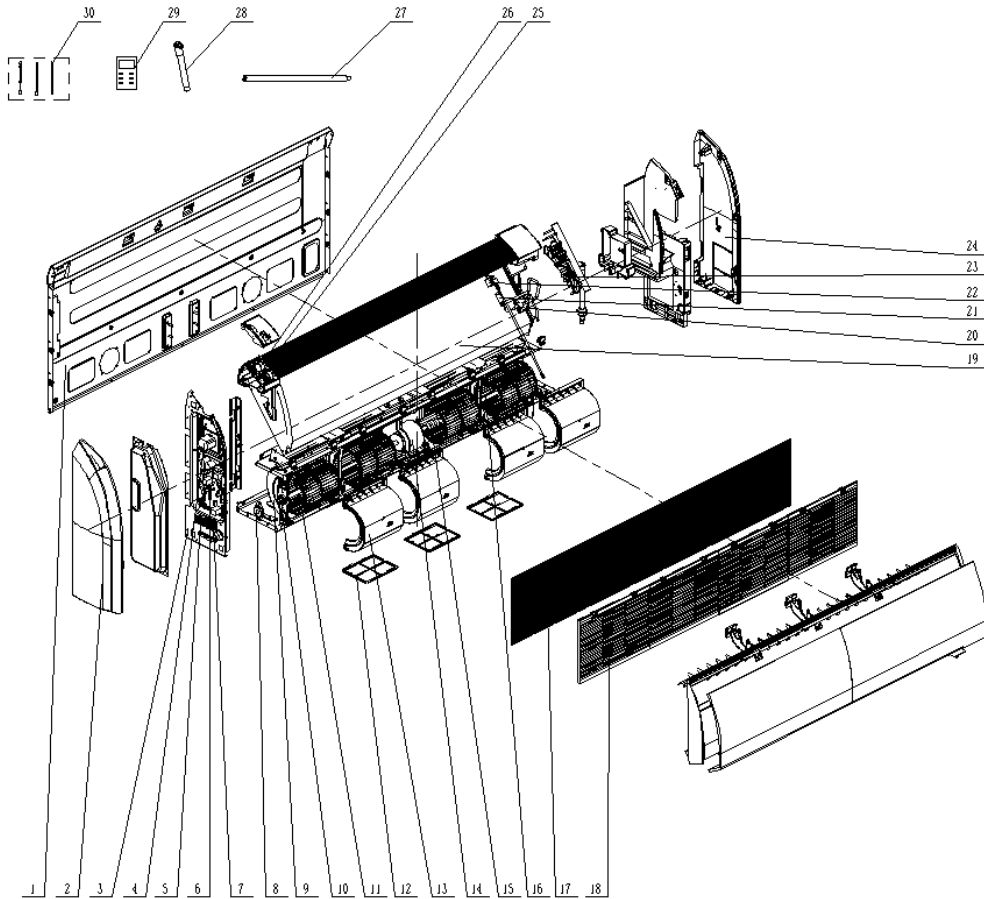


No.	Name of part	For the following unit	
		Unit	Product Code
		GMV-ND112ZD/B-T	CM600N0610
		GMV-ND125ZD/B-T	CM600N0530
		Part code	Quantity
1	Seat Board Sub-Assy	017080060020	1
2	Left Side Plate	2690940007001	1
3	Inductance	43128000014	1

No.	Name of part	For the following unit	
		Unit	Product Code
		GMV-ND112ZD/B-T	CM600N0610
		GMV-ND125ZD/B-T	CM600N0530
	Part code	Quantity	
4	Main Board	30002061965	1
5	Terminal Board	42200006005404	1
6	Terminal Board	42000100000204	1
7	Electric Box Assy	100002070925	1
8	Support Of Motor Bearing	01792408	2
9	Propeller Housing(Lower)	200230000001	4
10	Bearing Holder Sub-assy	26909400050	2
11	Centifugal Fan	103003000001	4
12	Filter Sub-Assy	111001000001	3
13	Propeller Housing(Upper)	200230000002	4
14	Brushless DC Motor	15709400005	1
15	Joint Slack	73018731	2
16	Roller Wheel	700004000001	2
17	Filter Sub-Assy	11729400004	4
18	Front Grill	2690940007201	4
19	Drainage Pipe Sub-assy	05235434	1
20	Evaporator Assy	011001061609	1
21	Strainer	0721304401	2
22	Electronic Expansion Valve	072009060045	1
23	Electric expand valve fitting	4304413203	1
24	Strainer	035021060019	1
25	Right Side Plate	2690940007101	1
26	Display Board	30294000009	1
27	Stepping Motor	1521240215	2
28	Corrugated Pipe	0502511201	1
29	Sensor Sub-assy	39008000100G	1
30	Remote Controller	30510589	1

Above data is subject to change without notice, pls reference the SP in global service website.

Exploded View of GMV-ND140ZD/B-T, GMV-ND160ZD/B-T:



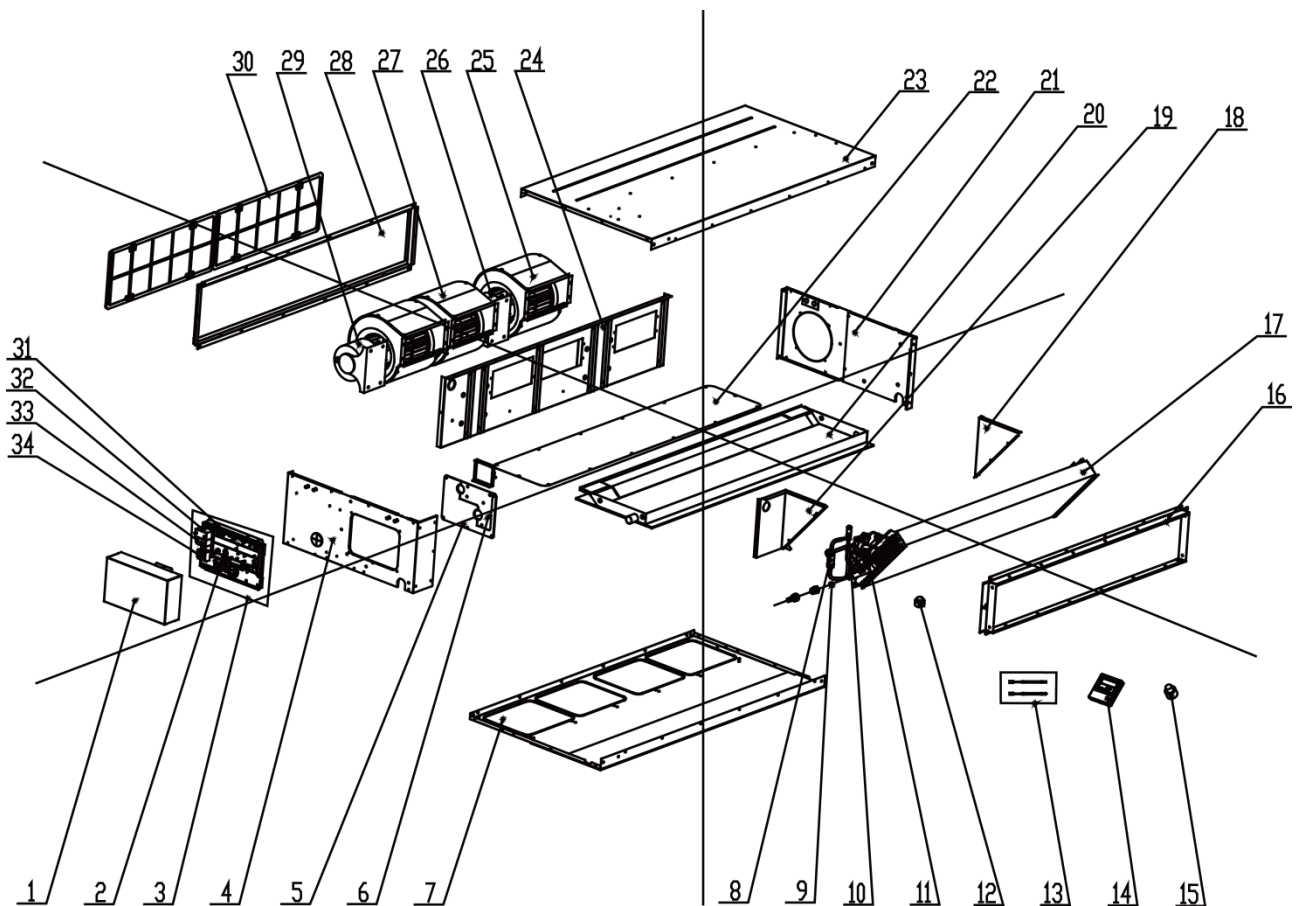
No.	Name of part	For the following unit	
		Unit	Product Code
		GMV-ND140ZD/B-T	CM600N0600
		GMV-ND160ZD/B-T	CM600N0560
		Part code	Quantity
1	Seat Board Sub-Assy	017080060020	1
2	Left Side Plate	2690940007001	1
3	Electric Box Assy	100002070925	1
4	Inductance	43128000014	1
5	Terminal Board	42200006005404	1
6	Main Board	300002061965	1
7	Terminal Board	42000100000204	1
8	Support Of Motor Bearing	01792408	2
9	Propeller Housing(Lower)	200230000001	4
10	Bearing Holder Sub-assy	269094000050	2
11	Centifugal Fan	103003000001	4
12	Filter Sub-Assy	111001000001	3
13	Propeller Housing(Upper)	200230000002	4
14	Brushless DC Motor	157094000005	1
15	Joint Slack	73018731	2
16	Roller Wheel	700004000001	2
17	Filter Sub-Assy	117294000004	4
18	Front Grill	2690940007201	4
19	Evaporator Assy	011001061569(160) 011001061836(140)	1

No.	Name of part	For the following unit	
		Unit	Product Code
		GMV-ND140ZD/B-T	CM600N0600
		GMV-ND160ZD/B-T	CM600N0560
		Part code	Quantity
20	Strainer	0721304401	1
21	Electronic Expansion Valve	072009060045	1
22	Electric Expand Valve Fitting	4304413203	1
23	Strainer	035021060019	1
24	Right Side Plate	2690940007101	1
25	Display Board	30294000009	1
26	Stepping Motor	1521240215	2
27	Drainage Pipe Sub-Assy	05235434	1
28	Corrugated Pipe	035030000005	1
29	Remote Controller	30510589	1
30	Sensor Sub-Assy	39008000100G	1

Above data is subject to change without notice, pls reference the SP in global service website.

5.10 Fresh air Processing Unit

Exploded View of GMV-NX140P/A(X1.2)-K:

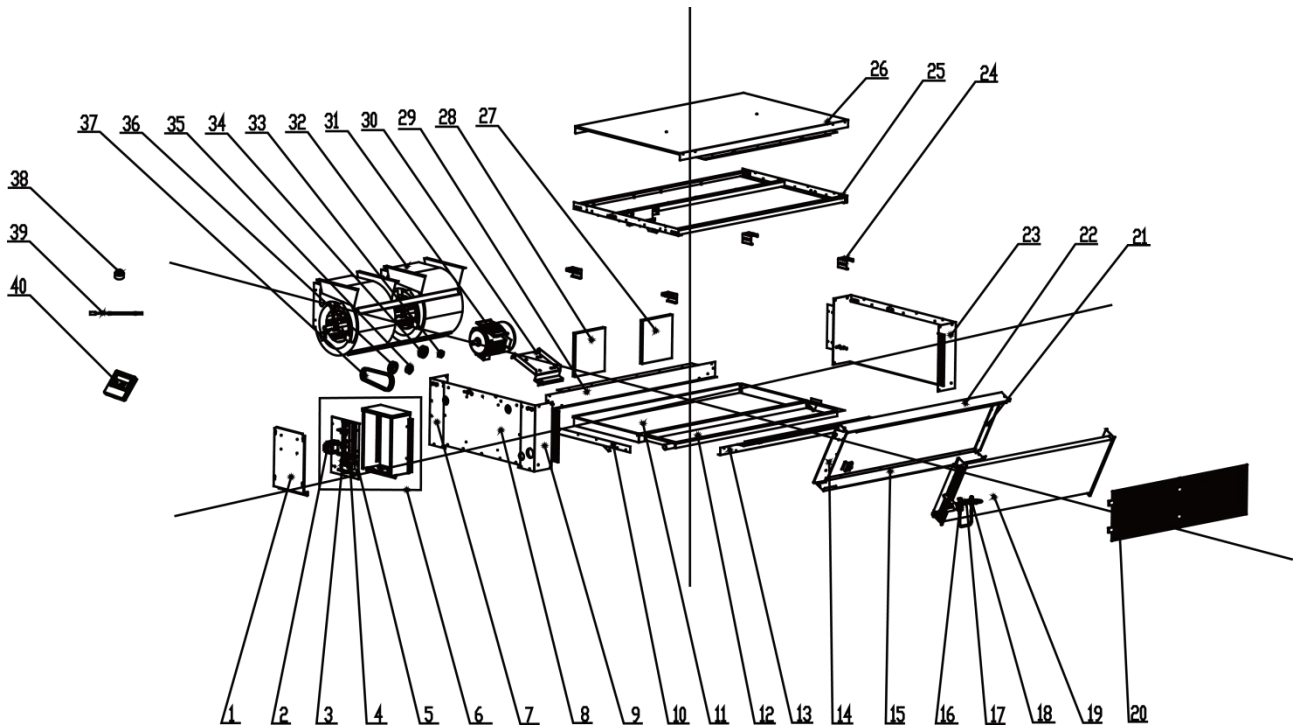


No.	Model	GMV-NX140P/A(X1.2)-K	Quantity
	Product Code	CM800N3610	
	Part Name	Part Code	
1	Electric Box Cover	01424100071	1
2	Terminal Board	42011106	1

No.	Model	GMV-NX140P/A(X1.2)-K	Quantity
	Product Code	CM800N3610	
	Part Name	Part Code	
3	Electric Box Assy	01394100199	1
4	Left Side Plate Assy	01314100058	1
5	Seal Of Left Side Plate Sub-Assy	01495212	1
6	Seal Of Connection Pipe	01495213	1
7	Bottom Cover Plate Assy	0125860301	1
8	Strainer	0741410000601	1
9	Filter Sub-Assy	07210028	1
10	Electronic Expansion Valve	07334412	1
11	Filter	07415210	1
12	Electric Expand Valve Fitting	4304413219	1
13	Sensor sub-assy	39004167G	1
14	Display Board	30296106	1
15	Choke Plug of Water Pipe	76712454	1
16	Border Plate of Air Outlet Sub-Assy	01374100036	1
17	Evaporator Assy	01024100061	1
18	Evaporator	01805221	1
19	Left Evaporator Support	01804100006	1
20	Water Tray Assy	01285229	1
21	Right Side Plate Assy	01308679	1
22	Cover Of Air-In	01258602	1
23	Top Cover Board Assy	01264625	1
24	Fan Motor Mounting Plate Sub-Assy	01325293	1
25	Blower	15018603	2
26	Fan Motor	1570520901	1
27	Blower	15018604	1
28	Air intake side-board Sub-assy	01375221	1
29	Fan Motor	1570521001	1
30	Filter Sub-Assy	11725205	2
31	Main Board	30226000052	1
32	Capacitor CBB61	33010056	1
33	Capacitor CBB61	33010064	1
34	Terminal Board	4201800002601	1

Above data is subject to change without notice, pls reference the SP in global service website.

Exploded View of GMV-NX224P/A(X2.0)-M:

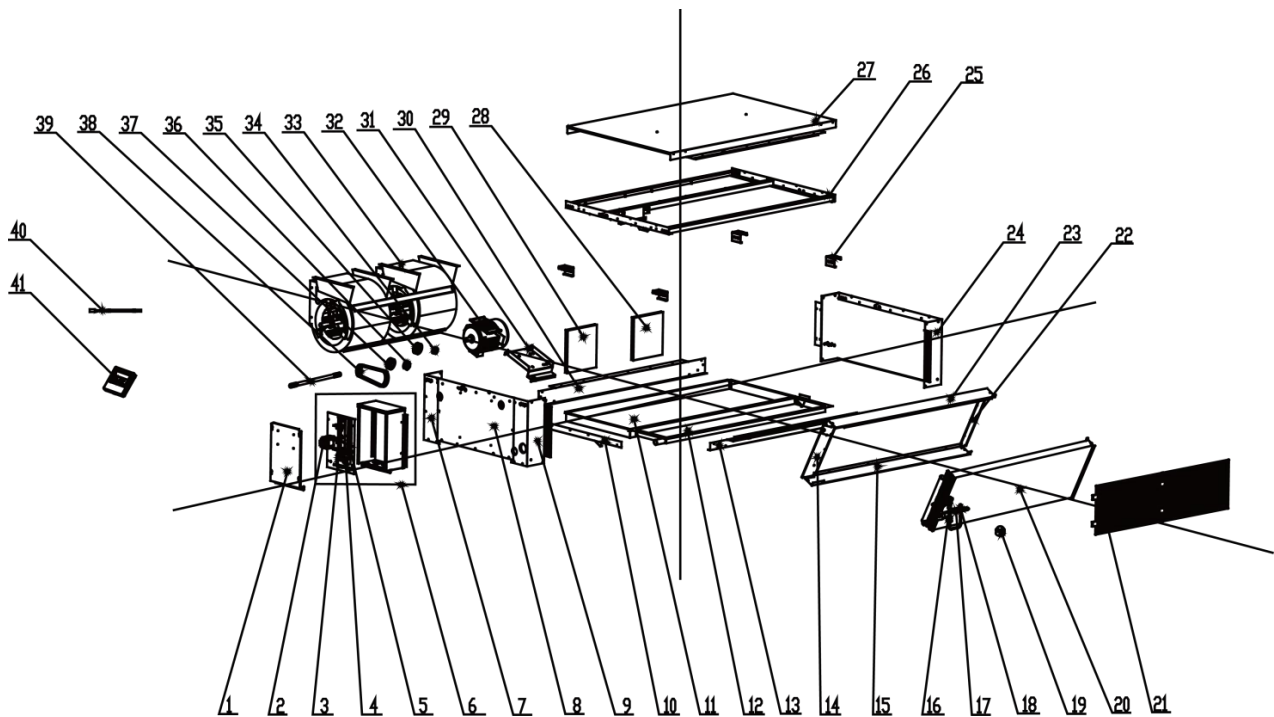


No.	Model	GMV-NX224P/A(X2.0)-M	Quantity
	Product Code	CM800N3620	
	Part Name	Part Code	
1	Electric Box Cover	014191411	1
2	AC Contactor	44010287	1
3	Terminal Board	42000100000401	1
4	Terminal Board	4201800002601	1
5	Main Board	30226000052	1
6	Electric Box Assy	01394100332	1
7	Right Side Plate Sub-Assy	01309105	1
8	Access panel sub-assy	01544126	1
9	Right Side Plate Sub-Assy	01314209	1
10	Side beam assy	01874178	1
11	Chassis Sub-assy	01194136	1
12	Water Collecting Tray Assy	01284142	1
13	Front Frame sub- assy	01874184	1
14	Air Guard	01354112	1
15	Base plate (evaporator)	01079114	1
16	Filter	07415210	1
17	Strainer	0741410000601	1
18	Electronic Expansion Valve	07334390	1
19	Evaporator Assy	1024100064	1
20	Filter Sub-Assy	11129070	2
21	Air Guard	01354111	1
22	Cover Plate Sub-Assy of Evaporator	01094109	1
23	Left Side Plate Assy	01314208	1
24	Hook	02205302	4
25	Suspending Rack	01729165	1
26	Top Cover Assy	01259106	1

No.	Model	GMV-NX224P/A(X2.0)-M	Quantity
	Product Code	CM800N3620	
	Part Name	Part Code	
27	Place with a draught of Connection board	01389079	1
28	Place with a draught of Connection board	01389077	1
29	Rear beam sub-assy	01779108	1
30	Motor Retaining Plate Sub-Assy	01845309	1
31	Fan Motor	1570600000701	1
32	Motor	15009059	1
33	Taper Sleeve	10548211	1
34	Belt Wheel	10548158	1
35	Taper Sleeve	10548218	1
36	Belt Wheel	10548150	1
37	Belt	76318317	2
38	Electric Expand Valve Fitting	4304413219	1
39	Sensor sub-assy	39004165G	1
40	Display Board	30296000040	1

Above data is subject to change without notice, pls reference the SP in global service website.

Exploded View of GMV-NX280P/A(X2.5)-M, GMV-NX280P/A(X3.0)-M:

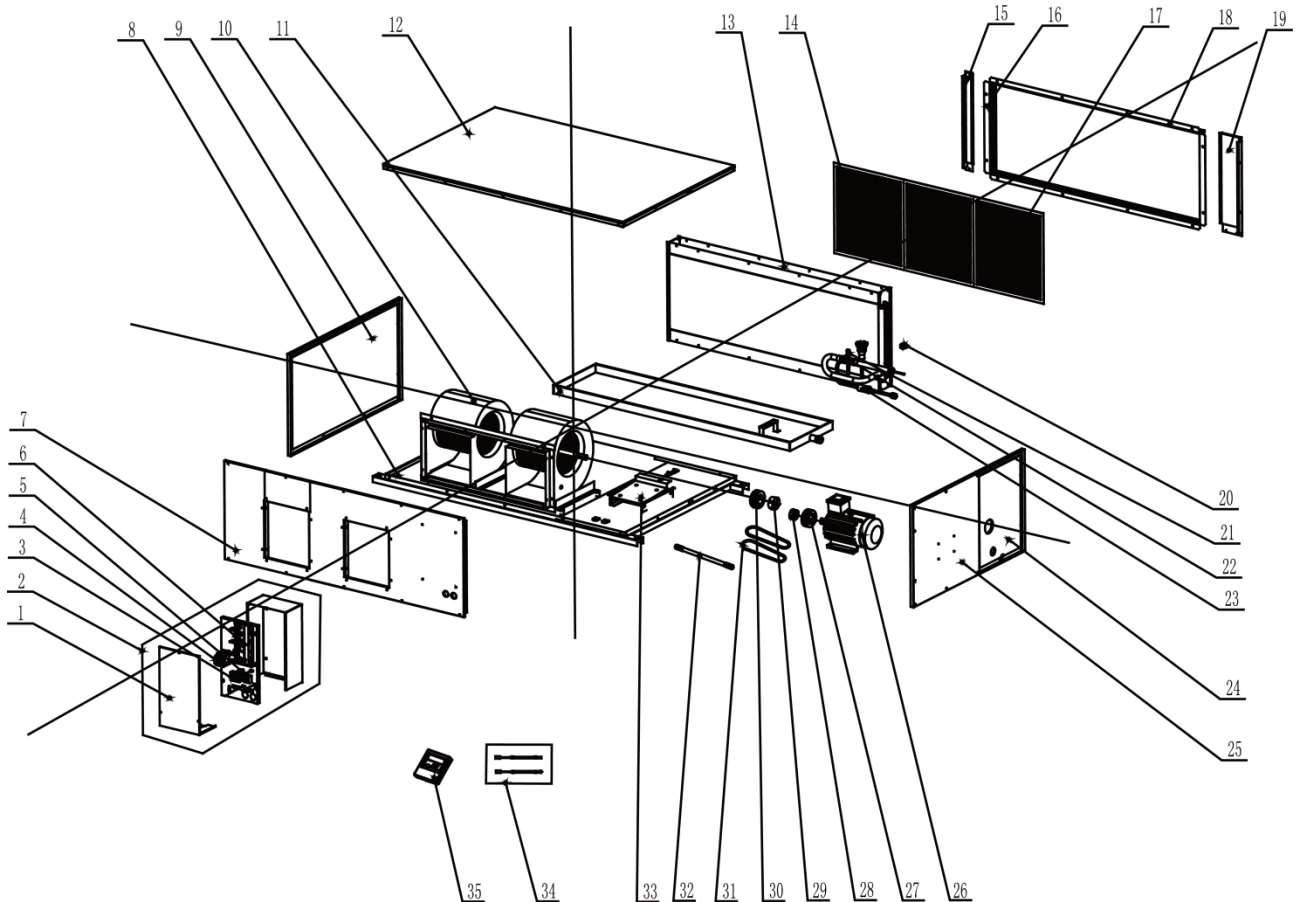


No.	Model	GMV-NX280P/A(X2.5)-M	GMV-NX280P/A(X3.0)-M	Quantity
	Product Code	CM800N3630	CM800N3630	
	Part Name	Part Code	Part Code	
1	Electric Box Cover	014191411	014191411	1
2	AC Contactor	44010287	44010287	1
3	Terminal Board	42000100000401	42000100000401	1
4	Terminal Board	4201800002601	4201800002601	1
5	Main Board	30226000052	30226000052	1
6	Electric Box Assy	01394100332	01394100332	1
7	Right Side Plate Sub-Assy	01309105	01309105	1
8	Access panel sub-assy	01544126	01544126	1

No.	Model	GMV-NX280P/A(X2.5)-M	GMV-NX280P/A(X3.0)-M	Quantity
	Product Code	CM800N3630	CM800N3630	
	Part Name	Part Code	Part Code	
9	Right Side Plate Sub-Assy	01314209	01314209	1
10	Side beam assy	01874178	01874178	1
11	Chassis Sub-assy	01194136	01194136	1
12	Water Collecting Tray Assy	01284142	01284142	1
13	Front Frame sub- assy	01874184	01874184	1
14	Air Guard	01354112	01354112	1
15	Base plate (evaporator)	01079114	01079114	1
16	Filter	07415210	07415210	1
17	Strainer	0741410000601	0741410000601	1
18	Electronic Expansion Valve	07334390	07334390	1
19	Electric Expand Valve Fitting	4304413219	4304413219	1
20	Evaporator Assy	1024100092	1024100092	1
21	Filter Sub-Assy	11129070	11129070	2
22	Air Guard	01354111	01354111	1
23	Cover Plate Sub-Assy of Evaporator	01094109	01094109	1
24	Left Side Plate Assy	01314208	01314208	1
25	Hook	02205302	02205302	4
26	suspending rack	01729165	01729165	1
27	Top Cover Assy	01259106	01259106	1
28	place with a draught of Connection board	01389079	01389079	1
29	place with a draught of Connection board	01389077	01389077	1
30	Rear beam sub-assy	01779108	01779108	1
31	Motor Retaining Plate Sub-Assy	01845309	01845309	1
32	Fan Motor	1570600000701	1570600000701	1
33	Motor	15009059	15009059	1
34	Taper Sleeve	10548211	10548211	1
35	Belt Wheel	10548156	10548157	1
36	Taper Sleeve	10548218	10548218	1
37	Belt Wheel	10548149	10548150	1
38	Belt	76318340	76318317	2
39	Rotating Shaft	10549057	10549057	1
40	Sensor sub-assy	39004165G	39004165G	1
41	Display Board	30296000040	30296000040	1

Above data is subject to change without notice, pls reference the SP in global service website.

Exploded View of GMV-NX450P/A(X4.0)-M:

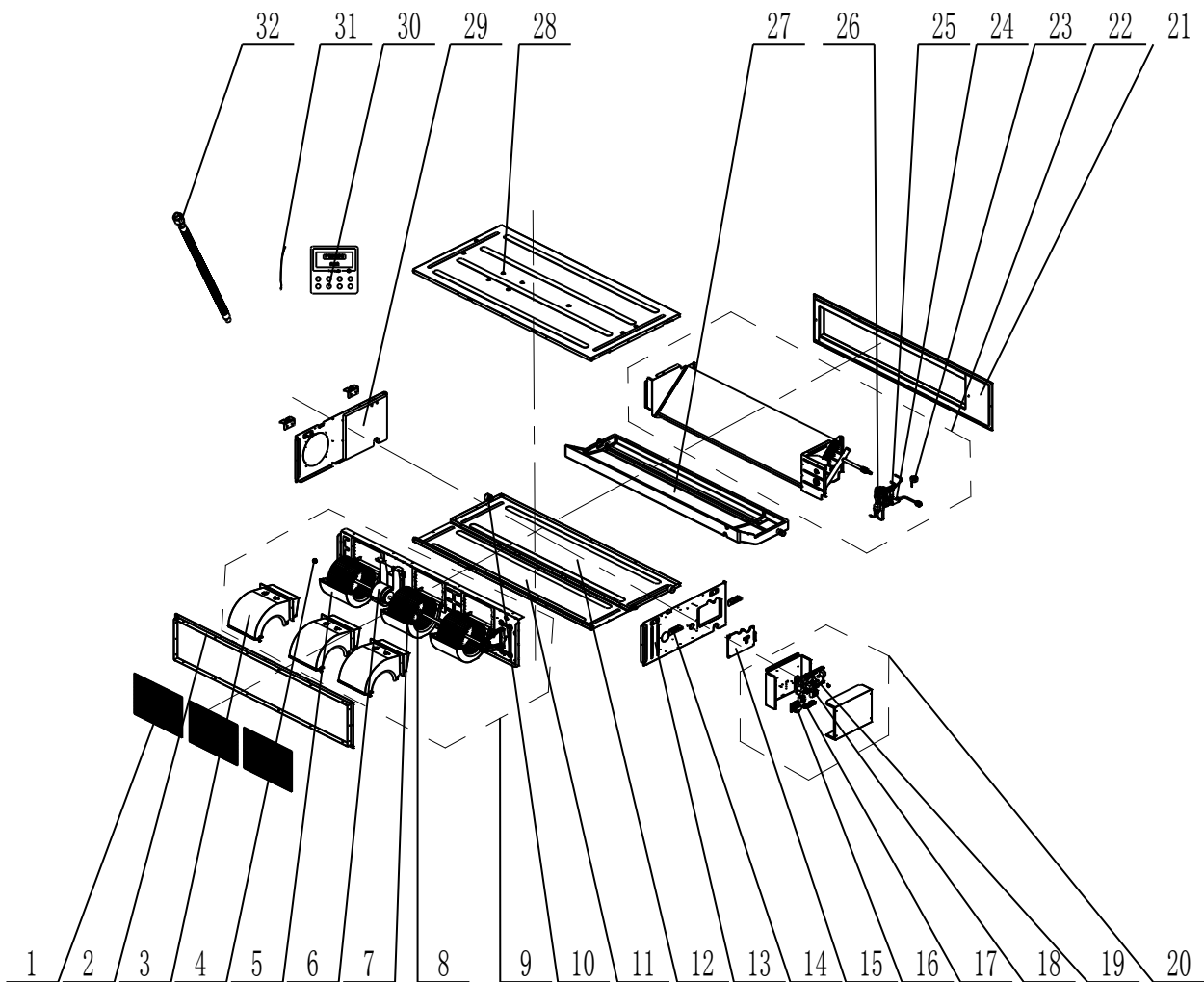


No.	Model	GMV-NX450P/A(X4.0)-M	Quantity
	Product Code	CM800N3740	
	Part Name	Part Code	
1	Electric Box Cover	01425304P	1
2	Electric Box Assy	01394100243	1
3	Terminal Board	42018000593	1
4	AC Contactor	44010287	1
5	Terminal Board	420180002601	1
6	Main Board	30226000052	1
7	Air Outlet Panel sub-assy	01545213	1
8	Base Frame Assy	01286000551	1
9	Side panel sub-assy	01545212	1
10	Motor	15705214	1
11	Water Collecting Tray Assy	01284169	1
12	Top Cover Sub-Assy	01265209	1
13	Evaporator Assy	01024100062	1
14	Filter Sub-Assy	11129079	1
15	Retaining Plate Assy	01845207	1
16	Longitudinal Beam of return air frame	01875208P	2
17	Filter Sub-Assy	11129078	2
18	Return Air Frame Sub-Assy	01375208P	2
19	Retaining Plate Sub-Assy	01845205	1
20	Electric Expand Valve Fitting	4304413219	1
21	Electronic Expansion Valve	07334390	1
22	Filter	07218603	1

No.	Model	GMV-NX450P/A(X4.0)-M	Quantity
	Product Code	CM800N3740	
	Part Name	Part Code	
23	Gas Tube Filter	072190511	1
24	Side panel sub-assy	01545208	1
25	Side panel sub-assy	01545210	1
26	Fan Motor	157060000501	1
27	Belt Wheel	10548150	1
28	Taper Sleeve	10548213	1
29	Taper Sleeve	10548218	1
30	Belt Wheel	10548158	1
31	Belt	76318342	2
32	Rotating Shaft	02285304	1
33	Retaining Plate	01844100065	1
34	Temperature Sensor	39008000092G	1
35	Display Board	30296000040	1

Above data is subject to change without notice, pls reference the SP in global service website.

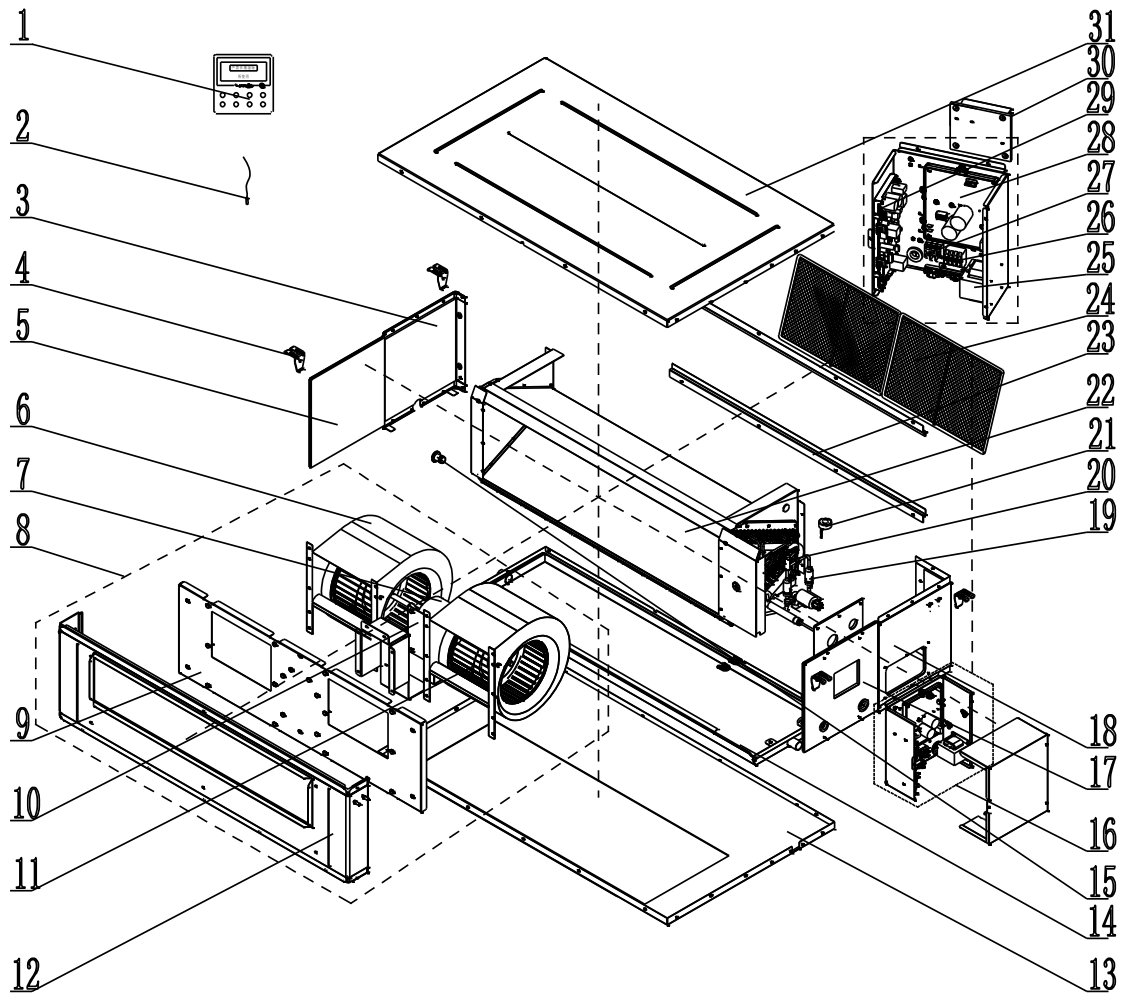
Exploded View of GMV-NDX125P/A-T, GMV-NDX140P/A-T:



No.	Name of part	For the following unit	
		Unit	Product Code
		GMV-NDX125P/A-T	CM810N1220
		GMV-NDX140P/A-T	CM810N1020
		Part code	Quantity
1	Filter Sub-Assy	111001000052	3
2	Return Air Frame Sub-Assy	017026000003	1
3	Propeller Housing(Upper)	26905200078	3
4	Fan Bearing	7651221001	1
5	Propeller Housing(Lower)	26905200079	3
6	Brushless DC Motor	1570940000601	1
7	Centrifugal Fan	10455200003	3
8	Joint Slack	73018731	1
9	Centrifugal fan assy	000052000028	1
10	Choke Plug of Drain Pipe	76815214	1
11	Cover Plate(Air return)	01265200123	1
12	Bottom Cover Plate	01265200125	1
13	Left Side Plate Assy	01315200147	1
14	Hook	02112466	4
15	Seal plate Assy	01495200039	1
16	Reactor	43138000047	1
17	Terminal Board	42000100000101	1
18	Terminal Board	4201800002601	1
19	Main Board	300002000686	1
20	Electric Box Assy	100002003006	1
21	Air Outlet Frame Assy	01375200023	1
22	Evaporator Assy	011001000023	1
23	Electric Expand Valve Fitting	4304413215	1
24	Strainer	0741410000601	1
25	Electronic Expansion Valve	07334468	1
26	Strainer	07415210	1
27	Foam Sub-assy	12505200021	1
28	Top Cover Board Assy	01264100105	1
29	Right Side Plate Assy	01315200148	1
30	Display Board	30296000040	1
31	Sensor Sub-assy	390002000063	1
32	Corrugated Pipe	05015408	1

Above data is subject to change without notice, pls reference the SP in global service website.

Exploded View of GMV-NDX224P/A-T, GMV-NDX250P/A-T, GMV-NDX280P/A-T:



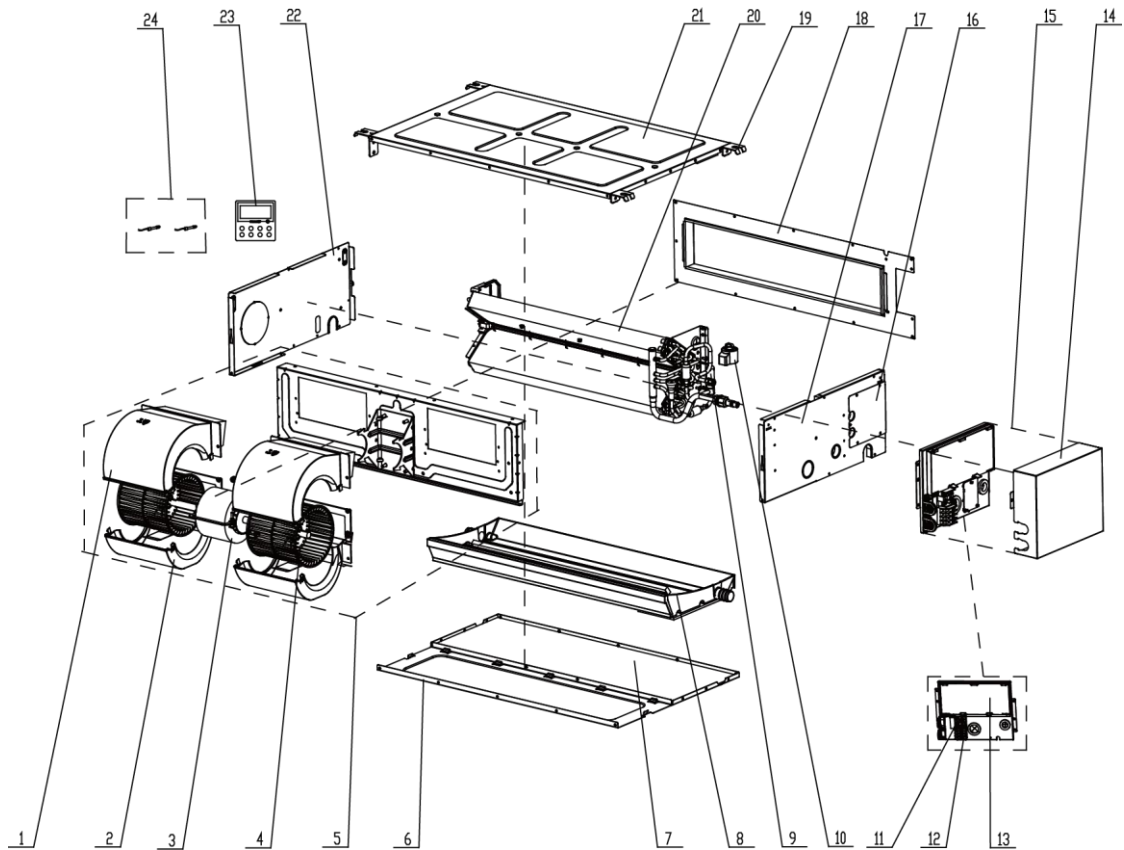
No.	Name of part	For the following unit		For the following unit	
		Unit	Product Code	Unit	Product Code
		GMV-NDX224P/A-T	CM810N0260	GMV-NDX280P/A-T	CM810N0270
		GMV-NDX250P/A-T	CM810N1230	-	-
		Part code	Quantity	Part code	Quantity
1	Display Board	30296000040	1	30296000040	1
2	Sensor sub-assy	39004165G	1	39004165G	1
3	Left side plate assy	01315367	1	01315367	1
4	Hook	02112466	4	02112466	4
5	Left side plate sub-assy 1	01315376	1	01315376	1
6	Motor for Centrifugal Fan	1570530601	1	1570530601	1
7	Brushless DC Motor	15704100009	1	15704100009	1
8	Centrifugal fan assy	15404100075	1	15404100075	1
9	Blower Mounting Plate Sub-Assy	01324100064	1	01324100064	1
10	Motor Support	01805200228	1	01805200228	1
11	Blower(Right)	15705307	1	15705307	1
12	Front Side Plate assy	01314627	1	01314627	1
13	Bottom Cover Plate Assy	01265357	1	01265357	1
14	Water Tray Assy	000069060067	1	000069060067	1
15	Rubber Plug	76815200002	1	76815200002	1

No.	Name of part	For the following unit		For the following unit	
		Unit	Product Code	Unit	Product Code
		GMV-NDX224P/ A-T	CM810N0260	GMV-NDX280P/ A-T	CM810N0270
		GMV-NDX250P/ A-T	CM810N1230	-	-
		Part code	Quantity	Part code	Quantity
16	Electric Box Assy	01394100573	1	01394100573	1
17	Right side plate sub-assy 1	01314100086	1	01314100086	1
18	Right Side Plate Assy	01314321	1	01314321	1
19	Strainer	0741410000601	1	0741410000601	1
20	Electronic Expansion Valve	07331139	1	07331139	1
21	Electric Expand Valve Fitting	4304413205	1	4304413205	1
22	Evaporator Assy	01024100119	1	0102410011901	1
23	filter guide groove	02284107	2	02284107	2
24	Filter Sub-Assy	11725211	2	11725211	2
25	Reactor	43130189	1	43130189	1
26	Terminal Board	4201800002601	1	4201800002601	1
27	Terminal board	42000100000202	1	42000100000202	1
28	Main Board	30221000023	1	30221000023	1
29	Main Board	30226000090	1	30226000090	1
30	Radiator	49018000068	1	49018000068	1
31	Top Cover Board Assy	01265359	1	01265359	1

Above data is subject to change without notice, pls reference the SP in global service website.

5.11 Slim Duct Type

Exploded View of GMV-ND22PL/B-T, GMV-ND25PL/B-T, GMV-ND28PL/B-T, GMV-ND32PL/B-T
GMV-ND36PL/B-T:

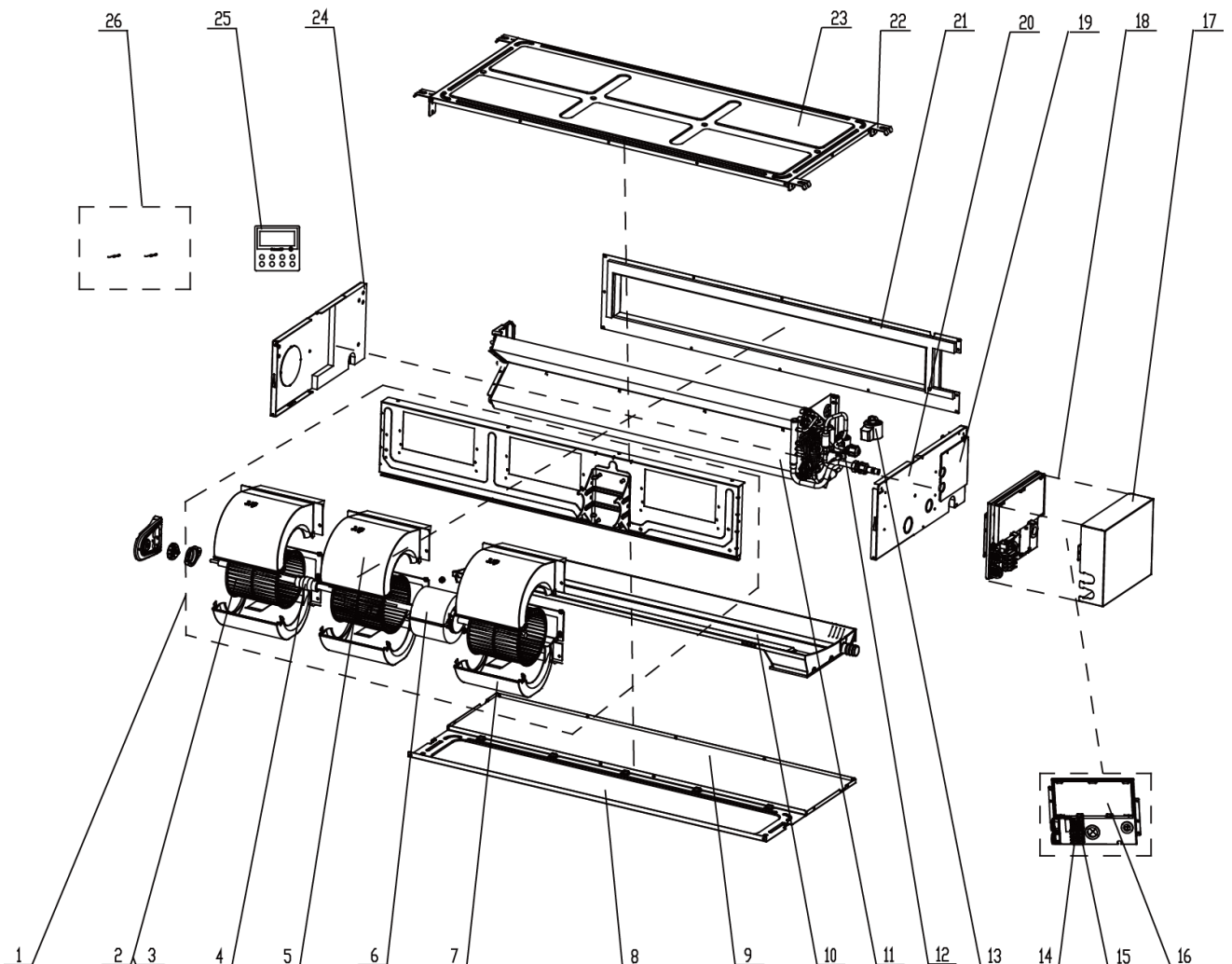


No.	Name of part	For the following unit	
		Unit	Product Code
		GMV-ND22PL/B-T	CM800N3560
		GMV-ND25PL/B-T	CM810N0010
		GMV-ND28PL/B-T	CM810N0020
		GMV-ND32PL/B-T	CM800N3570
		GMV-ND36PL/B-T	CM810N0030
		Part code	Quantity
1	Propeller Housing(Upper)	26905200018	2
2	Propeller Housing(Lower)	26905200019	2
3	Fan Motor	15704100001	1
4	Centrifugal Fan	10425200003	2
5	Centrifugal fan assy	15404100031	1
6	Cover Plate	01265200057	1
7	Bottom Cover Plate Assy	01265200065	1
8	Water Tray Assy	01285200020	1
9	Electronic Expansion Valve	07334463	1
10	Electric Expand Valve Fitting	4304413215	1
11	Terminal Board	42011106	1
12	Terminal Board	420180002601	1
13	Main Board	30226000029	1
14	Electric Box Cover	01425200023	1
15	Electric Box Assy	01394100160	1

No.	Name of part	For the following unit	
		Unit	Product Code
		GMV-ND22PL/B-T	CM800N3560
		GMV-ND25PL/B-T	CM810N0010
		GMV-ND28PL/B-T	CM810N0020
		GMV-ND32PL/B-T	CM800N3570
		GMV-ND36PL/B-T	CM810N0030
		Part code	Quantity
16	Closing Plate Sub-Assy	01494100010	1
17	Left Side Plate Assy	01314100076	1
18	Air Outlet Frame Assy	01374100057	1
19	Hook	01344100034	4
20	Evaporator Assy	01024100039	1
21	Top Cover Board Assy	01265200066	1
22	Right Side Plate Assy	01315200053	1
23	Display Board	01315200053	1
24	Sensor Sub-assy	39004168G	1

Above data is subject to change without notice, pls reference the SP in global service website.

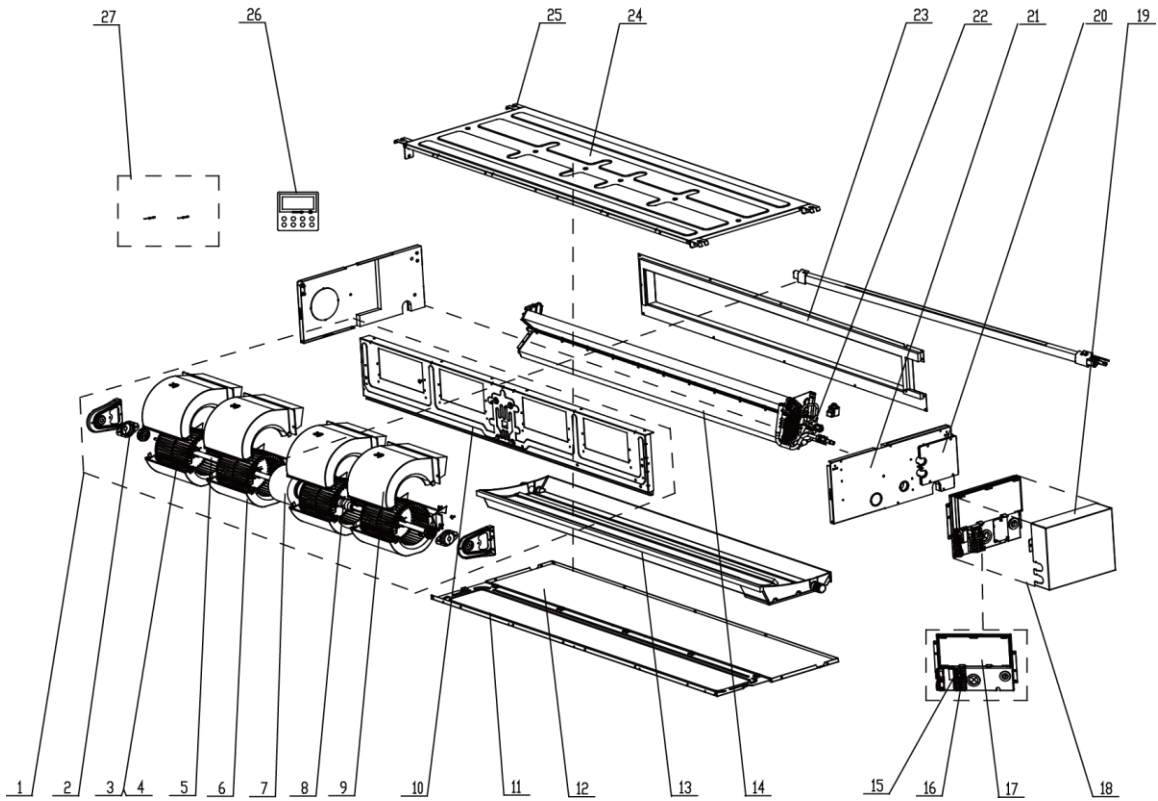
Exploded View of GMV-ND40PL/B-T, GMV-ND45PL/B-T, GMV-ND50PL/B-T, GMV-ND56PL/B-T, GMV-ND63PL/B-T:



No.	Name of part	For the following unit	
		Unit	Product Code
		GMV-ND40PL/B-T	CM800N3580
		GMV-ND45PL/B-T	CM810N0040
		GMV-ND50PL/B-T	CM810N0050
		GMV-ND56PL/B-T	CM800N3590
		GMV-ND63PL/B-T	CM810N0060
		Part code	Quantity
1	Centrifugal fan assy	15404100032	1
2	Centrifugal Fan	10425200003	3
3	Fan Bearing	76512210	1
4	Joint Slack	73018731	1
5	Propeller Housing(Upper)	26905200018	3
6	Fan Motor	15704100001	1
7	Propeller Housing(Lower)	26905200019	3
8	Cover Of Air-in	01265200073	1
9	Bottom Cover Plate Assy	01265200071	1
10	Water Tray Assy	01285200022	1
11	Evaporator Assy	01024100042	1
12	Electronic Expansion Valve	07334466	1
13	Terminal Board	42011106	1
14	Terminal Board	4201800002601	1
15	Main Board	30226000029	1
16	Magnetic Ring	49010104	1
17	Electric Box Cover	01425200023	1
18	Electric Box Assy	01394100241	1
19	Closing Plate Sub-Assy	01494100010	1
20	Left Side Plate Assy	01314100076	1
21	Air Outlet Frame Assy	01374100058	1
22	Hook	01344100034	4
23	Top Cover Board Assy	01265200068	1
24	Right Side Plate Assy	01315200053	1
25	Display Board	30296000040	1
26	Sensor Sub-assy	39004168G	1

Above data is subject to change without notice, pls reference the SP in global service website.

Exploded View of GMV-ND72PL/B-T:

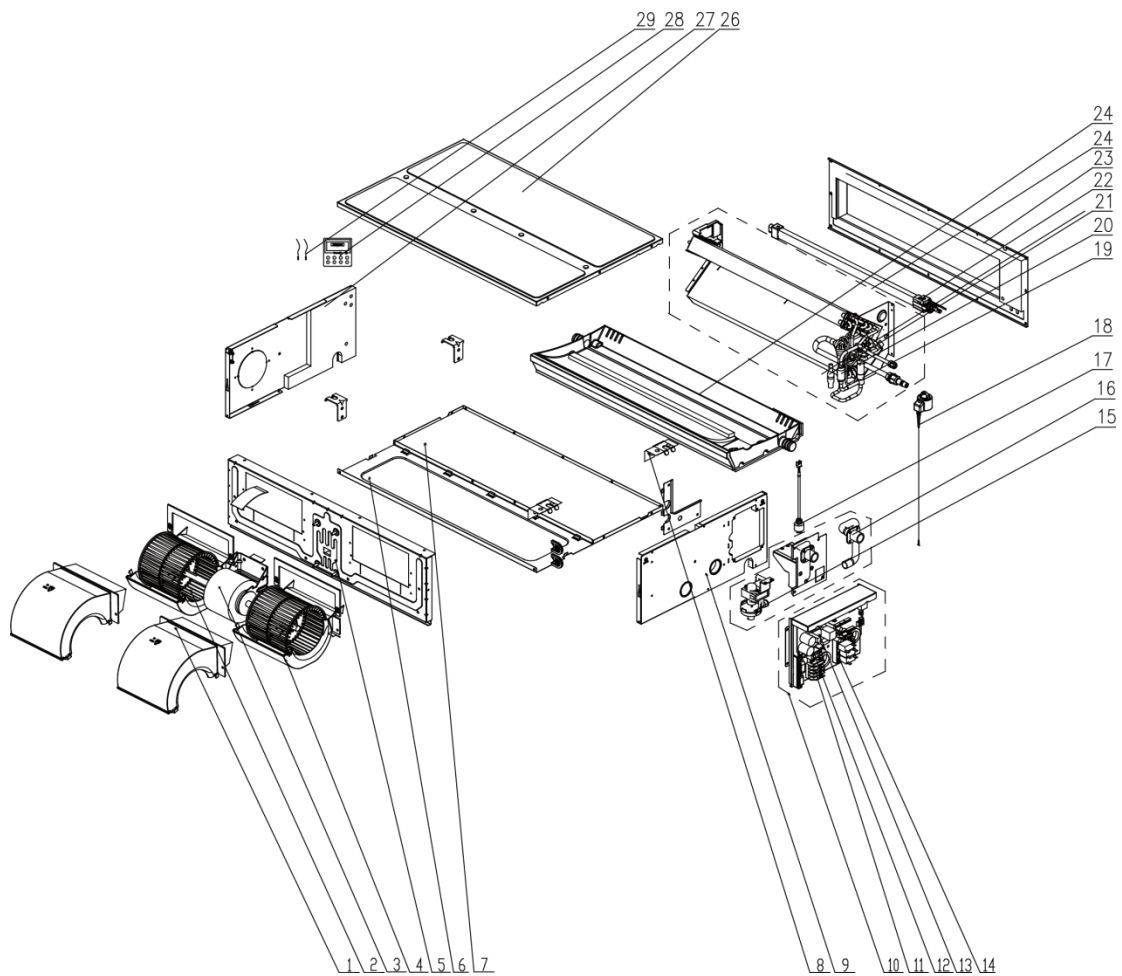


No.	Name of part	For the following unit	
		Unit	Product Code
		GMV-ND72PL/B-T	CM800N3600
		Part code	Quantity
1	Centrifugal fan assy	15404100032	1
2	Bearing Holder Sub-assy	26151139	2
3	Centrifugal Fan	10425200003	4
4	Fan Bearing	76512210	1
5	Rotary Axis Sub-Assy	73018761	2
6	Propeller Housing(Lower)	26905200019	4
7	DC brushless motor	15704100001	1
8	Joint Slack	73018731	2
9	Propeller Housing(Upper)	26905200018	4
10	Blower Mounting Plate Sub-Assy	01325200053	1
11	Cover Of Air-in	01265200085	1
12	Bottom Cover Plate Assy	01265200093	1
13	Water Tray Assy	01285200029	1
14	Evaporator Assy	01024100076	1
15	Terminal Board	42011106	1
16	Terminal Board	4201800002601	1
17	Main Board	30226000029	1
18	Electric Box Assy	01394100241	1
19	Electric Box Cover	01425200023	1
20	Closing Plate Sub-Assy	01494100010	1
21	Right Side Plate Assy	01315200053	1
22	Electronic Expansion Valve	07334466	1
23	Air Outlet Frame Assy	01374100059	1

No.	Name of part	For the following unit	
		Unit	Product Code
		GMV-ND72PL/B-T	CM800N3600
		Part code	Quantity
24	Top Cover Board Assy	0126520009201	1
25	Hook	01344100034	4
26	Display Board	30296000040	1
27	Sensor Sub-assy	39004168G	1

Above data is subject to change without notice, pls reference the SP in global service website.

Exploded View of GMV-ND22PLS/B1-T, GMV-ND25PLS/B1-T, GMV-ND28PLS/B1-T, GMV-ND32PLS/B1-T, GMV-ND36PLS/B1-T:

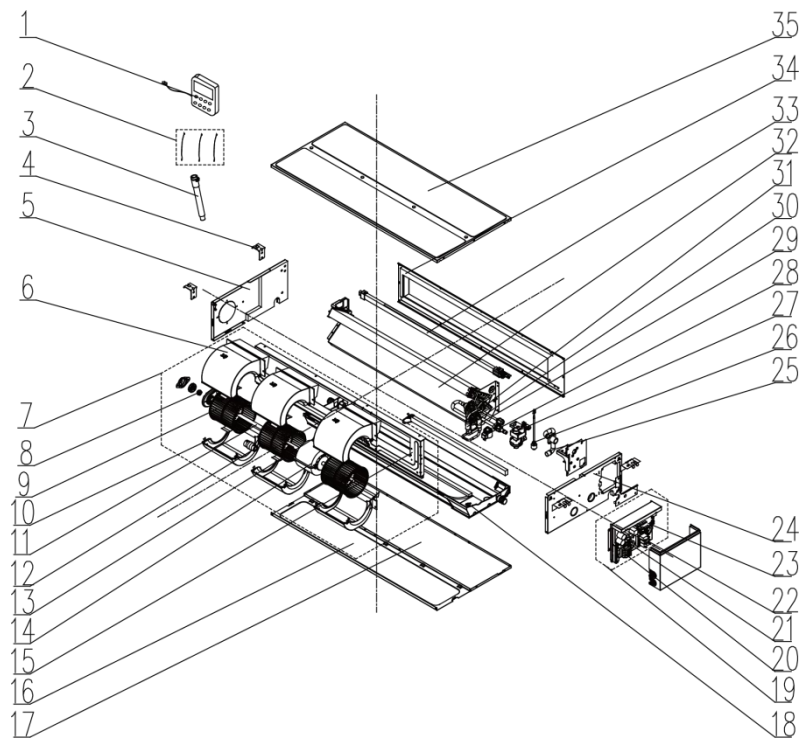


No.	Name of part	For the following unit	
		Unit	Product Code
		GMV-ND22SPL/B1-T	CM810N1580
		GMV-ND25SPL/B1-T	CM810N1570
		GMV-ND28SPL/B1-T	CM810N1340
		GMV-ND32SPL/B1-T	CM810N1560
		GMV-ND36SPL/B1-T	CM810N1330
Part code	Quantity		
1	Propeller Housing(Upper)	26905200018	2
2	Centrifugal Fan	10425200003	2
3	Brushless DC Motor	15704100001	1
4	Propeller Housing(Lower)	26905200019	2

No.	Name of part	For the following unit	
		Unit	Product Code
		GMV-ND22SPL/B1-T	CM810N1580
		GMV-ND25SPL/B1-T	CM810N1570
		GMV-ND28SPL/B1-T	CM810N1340
		GMV-ND32SPL/B1-T	CM810N1560
		GMV-ND36SPL/B1-T	CM810N1330
		Part code	Quantity
5	Blower Mounting Plate Sub-Assy	01325200034	1
6	Cover Plate(Air return)	01265200057	1
7	Bottom Cover Plate Assy	01264100102	1
8	Hook	02112446	2
9	Left Side Plate Assy	01314100136	1
10	Electric Box Assy	01394100602	1
11	Terminal Board	4201800002601	1
12	Terminal Board	42011106	1
13	Main Board	30226000029	1
14	Main Board 2	30227000010	1
15	Water Pump	4313822001	1
16	Pump Drainpipe	26904100172	1
17	Water Level Switch	4501270301	1
18	Electric Expand Valve Fitting	4304413215	1
19	Electronic Expansion Valve	07334463	1
20	Strainer	07213050	1
21	Strainer	0721200102	1
23	Air Outlet Frame Assy	01374100090	1
24	Evaporator Assy	01024100202	1
25	Water Tray Assy	01285200020	1
26	Top Cover Board Assy	01265200066	1
27	Right Side Plate Assy	01315200053	1
28	Sensor Sub-assy	39004168G	1
29	Display Board	30296000026	1

Above data is subject to change without notice, pls reference the SP in global service website.

Exploded View of GMV-ND40PLS/B1-T, GMV-ND45PLS/B1-T, GMV-ND50PLS/B1-T,
GMV-ND56PLS/B1-T, GMV-ND63PLS/B1-T:

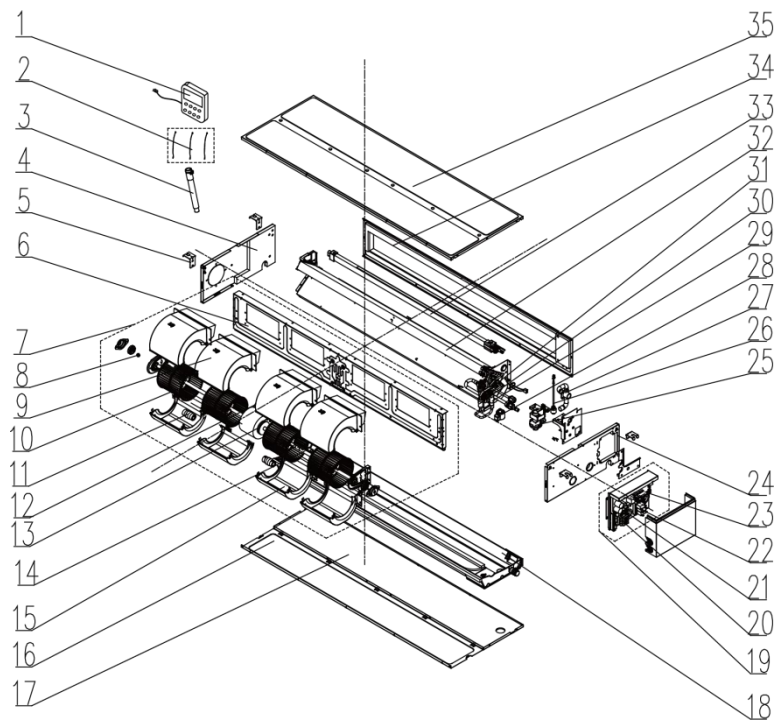


No.	Name of part	For the following unit	
		Unit	Product Code
		GMV-ND40SPL/B1-T	CM810N1550
		GMV-ND45SPL/B1-T	CM810N1350
		GMV-ND50SPL/B1-T	CM810N1540
		GMV-ND56SPL/B1-T	CM810N1530
		GMV-ND63SPL/B1-T	CM810N1360
1	Display Board	300001000054	1
2	Sensor Sub-Assy	390002000005	1
4	Hook	2112446	2
5	Right Side Plate Assy	1315200053	1
6	Propeller Housing(Upper)	26905200018	3
7	Centrifugal Fan Assy	15404100032	1
8	Fan Bearing	76512210	1
9	Centrifugal Fan	10425200003	3
10	Propeller Housing(Lower)	26905200019	3
11	Rotary Axis Sub-Assy	73018761	1
12	Joint Slack	73018731	1
13	Motor Support	1805200144	1
14	Brushless DC Motor	1570410000102	1
15	Blower Mounting Plate Sub-Assy	1325200035	1
16	Cover Of Air-In	1265200073	1
17	Bottom Cover Plate Assy	1264100103	1
18	Water Tray Assy	1285200022	1
19	Electric Box Assy	1394100615	1
20	Terminal Board	42011106	1
21	Terminal Board	4201800002601	1
23	Main Board	30226000029	1

No.	Name of part	For the following unit	
		Unit	Product Code
		GMV-ND40SPL/B1-T	CM810N1550
		GMV-ND45SPL/B1-T	CM810N1350
		GMV-ND50SPL/B1-T	CM810N1540
		GMV-ND56SPL/B1-T	CM810N1530
		GMV-ND63SPL/B1-T	CM810N1360
24	Left Side Plate Assy	1314100136	1
25	Drain Hose Sub-Assy	5232050	1
26	Water Level Switch	4501270303	1
27	Water Pump	4313822002	1
28	Electric Expand Valve Fitting	4304413253	1
29	Electronic Expansion Valve	7334466	1
30	Strainer	721200102	1
31	Strainer	7213050	1
32	Evaporator Assy	1024100211	1
34	Air Outlet Frame Assy	1374100091	1
35	Top Cover Board Assy	1265200068	1

Above data is subject to change without notice, pls reference the SP in global service website.

Exploded View of GMV-ND71PLS/B1-T:



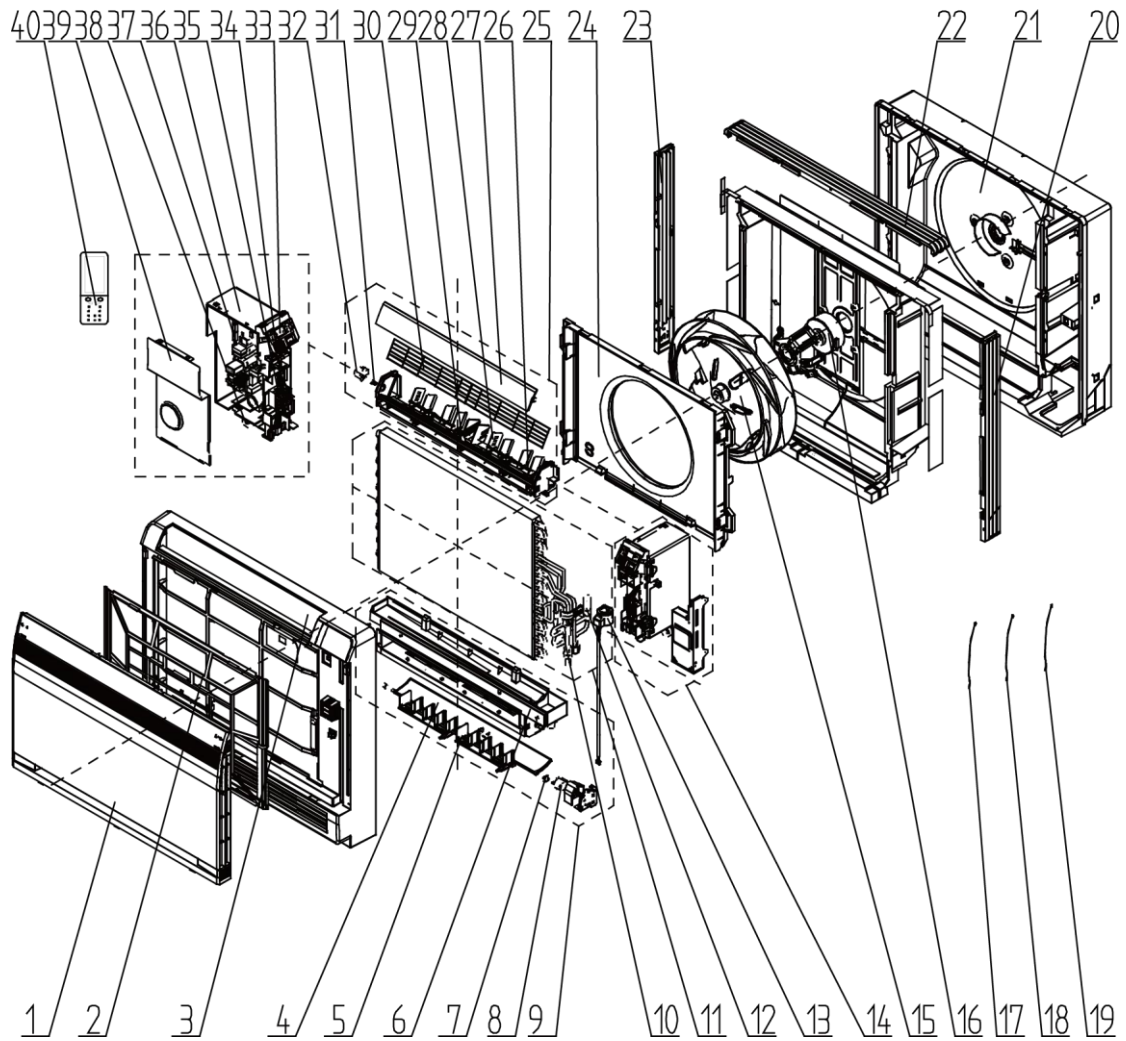
No.	Name of part	For the following unit	
		Unit	Product Code
		GMV-ND40SPL/B1-T	CM810N1550
1	Display Board	30296000026	1
2	Sensor Sub-Assy	39004168G	1
3	Corrugated Pipe	05010051	1
4	Right Side Plate Assy	01315200053	1
5	Hook	02112446	2
6	Blower Mounting Plate Sub-Assy	01325200053	1
7	Centrifugal fan assy	15404100038	1

No.	Name of part	For the following unit	
		Unit	Product Code
		GMV-ND40SPL/B1-T	CM810N1550
8	Fan Bearing	76512210	1
9	Propeller Housing(Upper)	26905200018	4
10	Centrifugal Fan	10425200003	4
11	Joint Slack	73018731	2
12	Motor Support	01805200144	1
13	Brushless DC Motor	15704100001	1
14	Rotary Axis Sub-Assy	73018761	2
15	Propeller Housing(Lower)	26905200019	4
16	Cover Of Air-In	01265200085	1
17	Bottom Cover Plate Assy	01264100104	1
18	Water Tray Assy	01285200029	1
19	Electric Box Assy	01394100602	1
20	Terminal Board	4201800002601	1
21	Terminal Board	42011106	1
22	Main Board 2	30227000010	1
23	Main Board	30226000029	1
24	Left Side Plate Assy	01314100136	1
25	Water Pump	4313822001	1
26	Water Level Switch	4501270301	1
27	Drain Hose Sub-Assy	05232050	1
28	Electric Expand Valve Fitting	4304413215	1
29	Electronic Expansion Valve	07334466	1
30	Strainer	07213050	1
31	Strainer	0721200102	1
32	Evaporator Assy	01024100197	1
34	Air Outlet Frame Assy	01374100092	1
35	Top Cover Board Assy	01265200092	1

Above data is subject to change without notice, pls reference the SP in global service website.

5.12 Console Type Indoor Unit

Exploded View of GMV-ND22C/A-T, GMV-ND28C/A-T, GMV-ND36C/A-T, GMV-ND45C/A-T, GMV-ND50C/A-T:



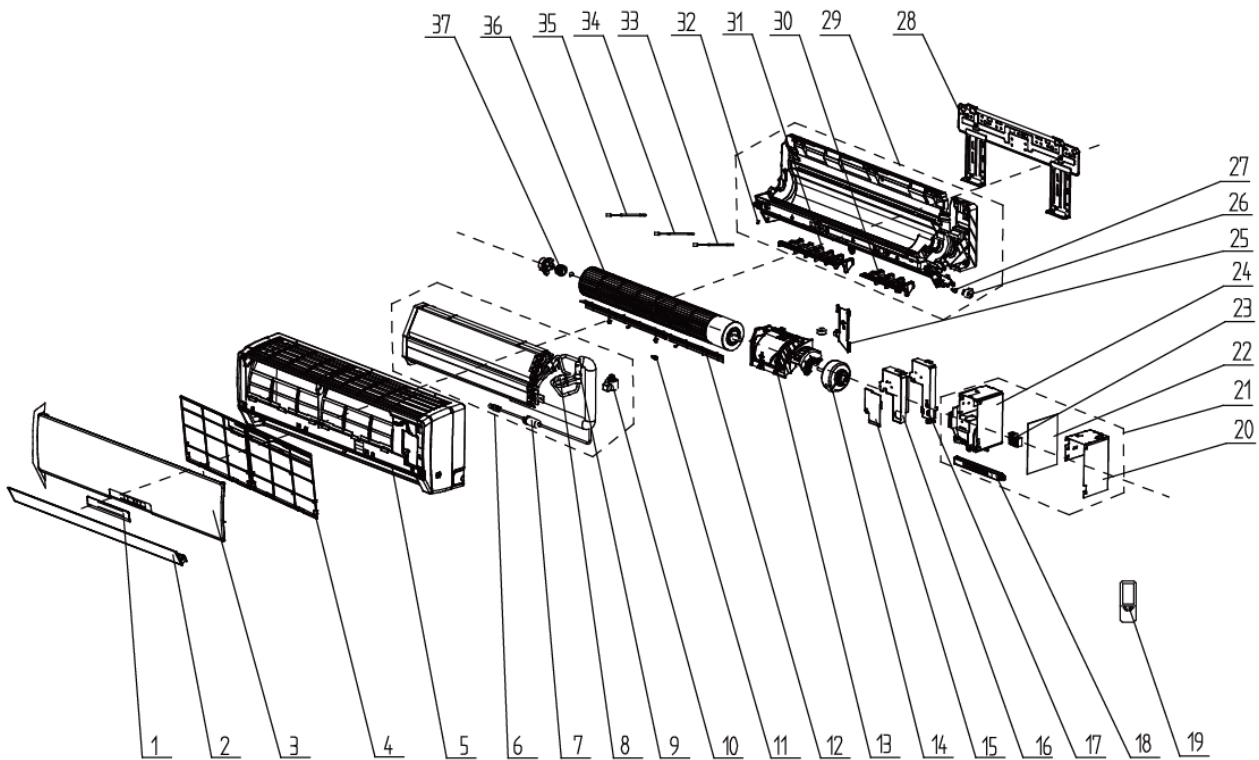
No.	Name of part	For the following unit	
		Unit	Product Code
		GMV-ND22C/A-T	CM400N0140
		GMV-ND28C/A-T	CM400N0070
		GMV-ND36C/A-T	CM400N0080
		GMV-ND45C/A-T	CM400N0150
		GMV-ND50C/A-T	CM400N0090
		Part code	Quantity
1	Front Panel Assy	20012756	1
2	Filter Sub-Assy	11122139	1
3	Front Case Assy	20012601	1
4	Air Louver(lower)	10512146	1
5	Air Louver(lower)	10512144	2
6	Water Tray	20182140	1
7	Axis(lower step motor)	10542034	1
8	Stepping Motor	1521210101	1
9	Water Tray Assy	20182141	1
10	Strainer	7213029	1
11	Evaporator Assy	1024100143	1

No.	Name of part	For the following unit	
		Unit	Product Code
		GMV-ND22C/A-T	CM400N0140
		GMV-ND28C/A-T	CM400N0070
		GMV-ND36C/A-T	CM400N0080
		GMV-ND45C/A-T	CM400N0150
		GMV-ND50C/A-T	CM400N0090
		Part code	Quantity
12	Electronic Expansion Valve	7334282	1
13	Electric Expand Valve Fitting	4304000102	1
14	Electric Box Assy	1394100489	1
15	Centrifugal Fan	1394100489	1
16	Brushless DC Motor	15704100012	1
17	Temperature Sensor	3900005910	1
18	Temperature Sensor	390000597	1
19	Temperature Sensor	3900019824	1
20	Let Side Plate	20052011	1
21	Rear Case	22202461	1
22	Top Side Plate	20052013	1
23	Right Side Plate	20052012	1
24	Diversion Circle	10371212	1
25	Louver Motor Sub-assy	21100001	1
26	Swing Lever	10582096	2
27	Guide Louver (upper)	10512145	1
28	Air Louver(upper)	10512143	2
29	Shaft of Guide Louver	10542020	2
30	Rear Grill	1472024	1
31	Crank	73012005	1
32	Stepping Motor	1521210101	1
33	Display Board	30568131	1
34	Pinboard	30278000001	1
35	Terminal Board	42010268	1
36	Electric Board	20112116	1
37	Main Board	30226000080	1
38	Magnetic Ring	49010104	1
39	Shield Cover of Electric Box Sub-assy	01592169	1
40	Remote Controller	30510589	1

Above data is subject to change without notice, pls reference the SP in global service website.

5.13 Wall Mounted type Indoor Unit

Exploded View of GMV-N22G/A3A-K, GMV-N28G/A3A-K:

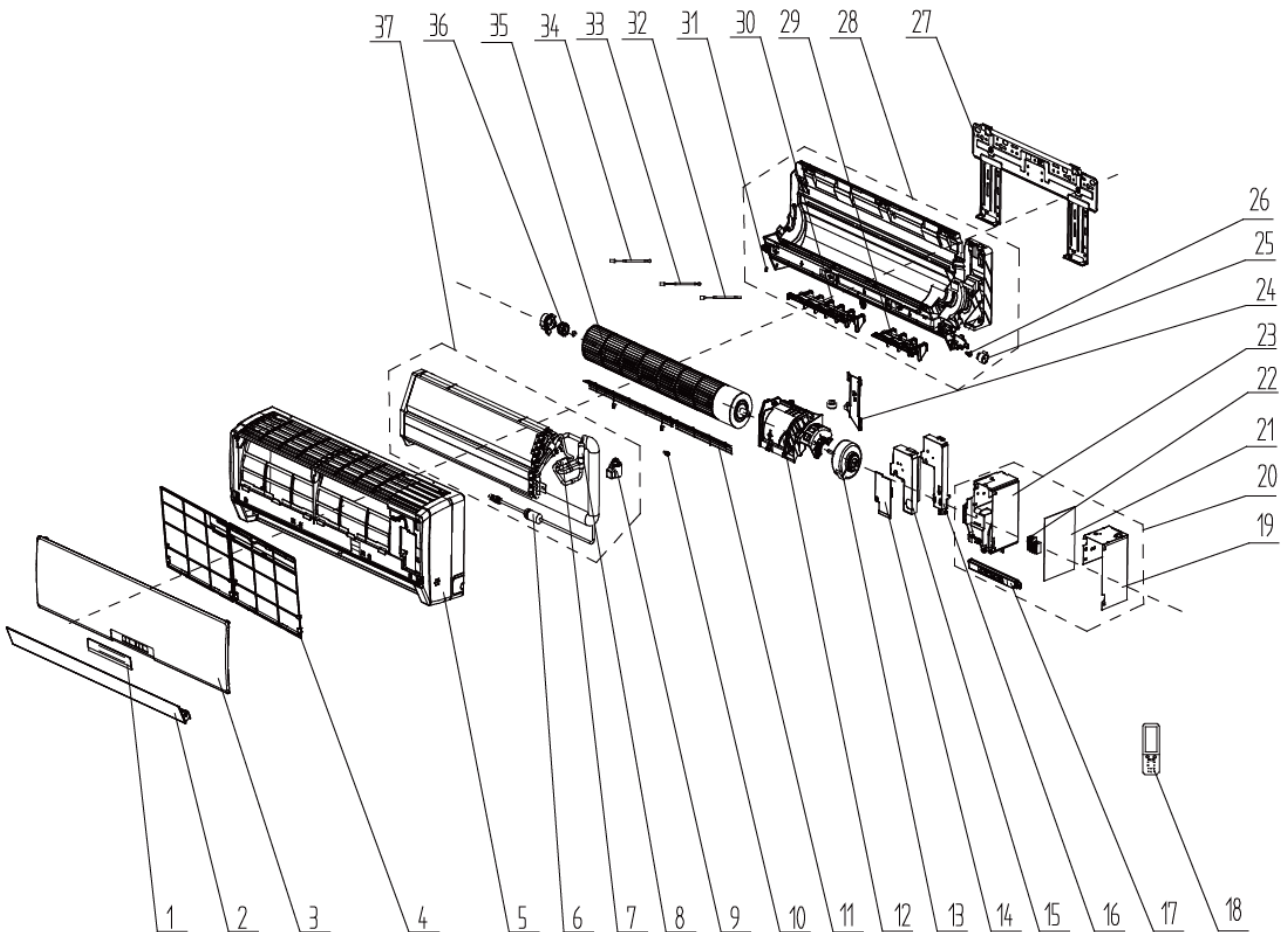


No.	Name of part	For the following unit	
		Unit	Product Code
		GMV-N22G/A3A-K	CM100N1350
		GMV-N28G/A3A-K	CM100N1340
		Part code	Quantity
1	Receiver Window	22432230	1
2	Guide Louver	10512157	1
3	Front Panel B1	20012122S	1
4	Filter Sub-Assy	1112220403	1
5	Front Case Sub-assy	2001213931	1
6	Evaporator Assy	1024100097	2
7	Strainer	07414100006	4
8	Strainer	07213050	4
9	Electronic Expansion Valve	07334463	4
10	Electric Expand Valve Fitting	4304413217	2
11	Axile Bush	10542036	1
12	Rear Grill	01472013	1
13	Motor Press Plate	26904100117	1
14	Fan Motor	1501208905	1
15	Electric Box Cover2	2012207504	1
16	Shield Cover of Electric Box Sub-assy	01592073	1
17	Electric Box Cover1	2224213502	1
18	Display Board	30565007	2
19	Remote Controller	30510589	1
20	Lower Shield Sub-assy of Electric Box	01592072	2
21	Electric Box Assy	01394100451	1
22	Main Board	30226000061	2

No.	Name of part	For the following unit	
		Unit	Product Code
		GMV-N22G/A3A-K	CM100N1350
		GMV-N28G/A3A-K	CM100N1340
	Part code	Quantity	
23	Terminal Board	42010268	2
24	Electric Box	2011216702	2
25	Connecting pipe clamp	26112164	1
26	Stepping Motor	1521212901	2
27	Crank	10582070	2
28	Wall Mounting Frame	01252021	1
29	Rear Case Sub-Assy	2220294712	2
30	Air Louver 1	10512164	2
31	Air Louver 2	10512165	2
32	Left Axile Bush	10512037	2
33	Temperature Sensor	390000454	1
34	Temperature Sensor	39000076G	1
35	Temperature Sensor	390002072G	1
36	Cross Flow Fan	10454101	1
37	O-Gasket of Cross Fan Bearing	76512203	3

Above data is subject to change without notice, pls reference the SP in global service website.

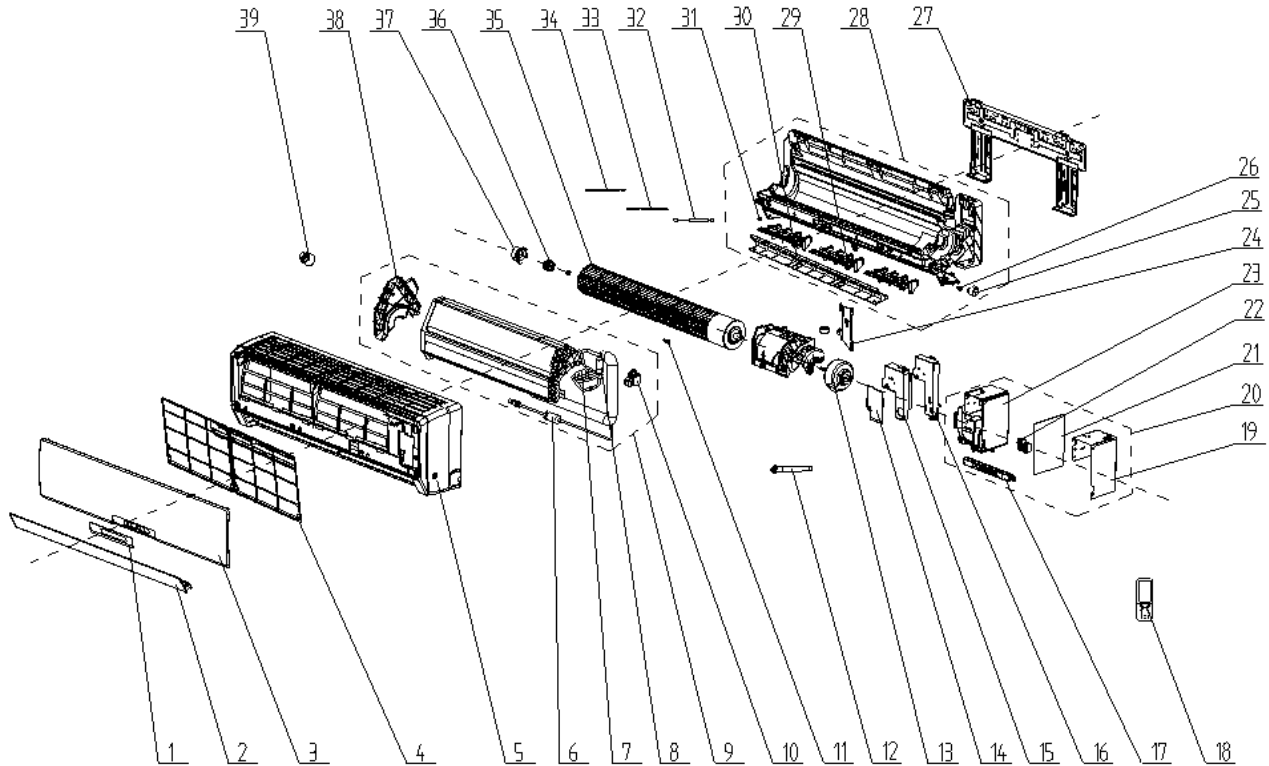
GMV-N36G/A3A-K, GMV-N45G/A3A-K, GMV-N50G/A3A-K:



No.	Name of part	For the following unit	
		Unit	Product Code
		GMV-N36G/A3A-K	CM100N1360
		GMV-N45G/A3A-K	CM100N1370
		GMV-N50G/A3A-K	CM100N1330
		Part code	Quantity
1	Receiver Window	22432173	1
2	Guide Louver	10512115	1
3	Front Panel Assy	20012260	1
4	Filter Sub-Assy	1112000000	2
5	Front Case Sub-assy	20022172	1
6	Strainer	07414100006	1
7	Strainer	7213050	1
8	Electronic Expansion Valve	7334466	1
9	Electric Expand Valve Fitting	4304000000	1
10	Axile Bush	10542036	1
11	Mesh Enclosure(Air Outlet)	1472015	1
12	Motor Press Plate	26904264	1
13	Fan Motor	1501000000	1
14	Electric Box Cover	2011000000	1
15	Shield Cover of Electric Box	1592092	1
16	Electric Box Cover1	2012000000	1
17	Display Board	30565038	1
18	Remote Controller	30510589	1
19	Lower Shield of Electric Box	1592091	1
20	Electric Box Assy	1394000000	1
21	Main Board	30230000000	1
22	Terminal Board	42010268	1
23	Electric Box	2011000000	1
24	Connecting pipe clamp	26112164	1
25	SteppingMotor	15012086	1
26	Crank	10582070	1
27	Wall Mounting Frame	1252218	1
28	Rear Case Sub-Assy	2220000000	1
29	Air Louver 1	10512708	1
30	Air Louver 2	10512709	1
31	Left Axile Bush	10512037	1
32	Temperature Sensor	39000076G	1
33	Temperature Sensor	390000454	1
34	Temperature Sensor	390002072G	1
35	Cross Flow Fan	10454102	1
36	O-Gasket of Cross Fan Bearing	76512203	1
37	Evaporator Assy	01024100101	1

Above data is subject to change without notice, pls reference the SP in global service website.

GMV-N56G/A3A-K, GMV-N63G/A3A-K, GMV-N71G/A3A-K:

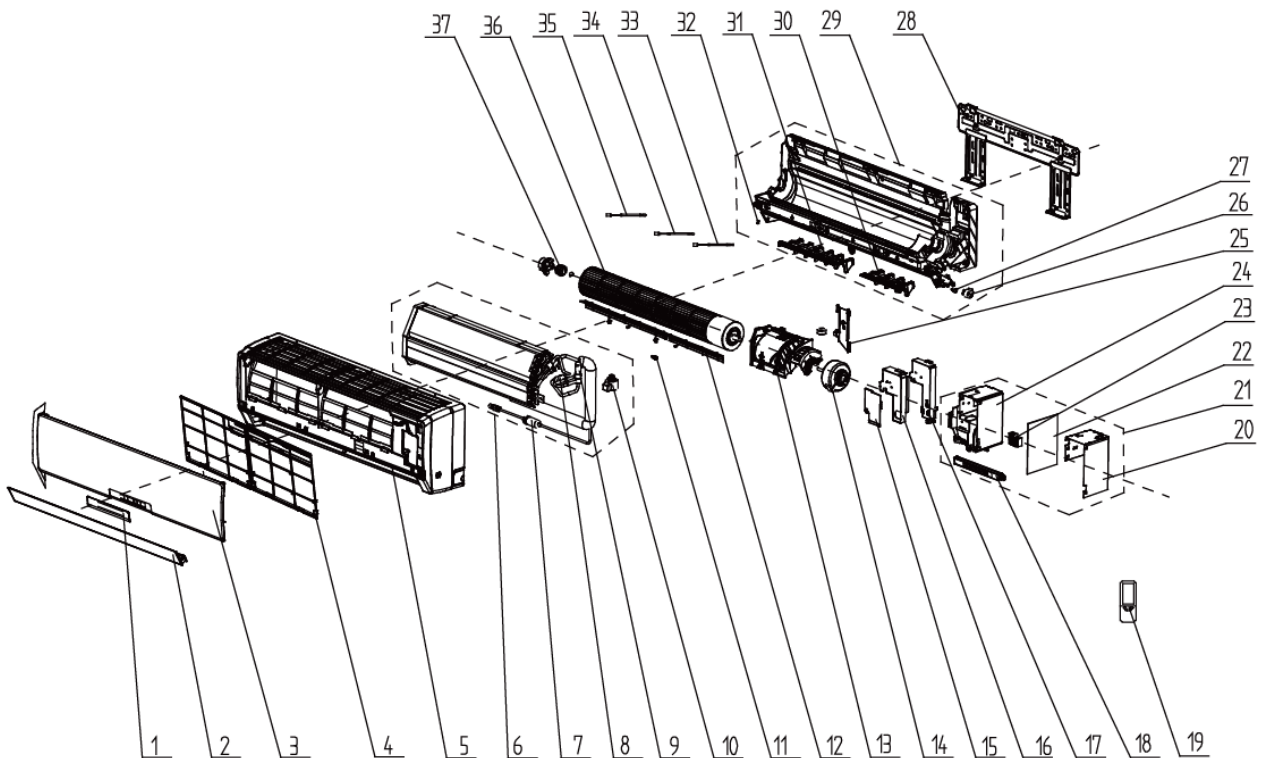


No.	Name of part	For the following unit	
		Unit	Product Code
		GMV-N56G/A3A-K	CM100N1380
		GMV-N63G/A3A-K	CM100N1390
		GMV-N71G/A3A-K	CM100N1340
		Part code	Quantity
1	Receiver Window	22432173	1
2	Guide Louver	10512118	1
3	Front Panel Assy	20012328	1
4	Filter Sub-Assy	11122091	2
5	Front Case Assy	20012329	1
6	Strainer A	0721002201	1
7	Filter Sub-Assy	11120011	1
8	Electronic Expansion Valve	07334466	1
9	Evaporator Assy	011001060267	1
10	Electric Expand Valve Fitting	4304413217	1
11	Axile Bush	10542036	2
12	Drainage Hose	0523001405	1
13	Fan Motor	15012098	1
14	Electric Box Cover2	2011208104	1
15	Shield Cover of Electric Box	01592092	1
16	Electric Box Cover1	20122154	1
17	Display Board	30565038	1
18	Remote Controller	30510589	1
19	Lower Shield of Electric Box	01592091	1
20	Electric Box Assy	01394100336	1
21	Main Board	30226000063	1

No.	Name of part	For the following unit	
		Unit	Product Code
		GMV-N56G/A3A-K	CM100N1380
		GMV-N63G/A3A-K	CM100N1390
		GMV-N71G/A3A-K	CM100N1340
	Part code	Quantity	
22	Terminal Board	4201026805	1
23	Electric Box	01394100336	1
24	Connecting pipe clamp	26112188	1
25	Stepping Motor	1521300101	1
26	Crank	10582070	1
27	Wall Mounting Frame	01252032	1
28	Rear Case Assy	01514100012	1
29	Air Louver 1	10512159	3
30	Helicoid Tongue	26112187	1
31	Left Axile Bush	10512037	1
32	Temperature Sensor	39000076G	1
33	Temperature Sensor	390000456	1
34	Temperature Sensor	390002072	1
35	Cross Flow Fan	10454103	1
36	O-Gasket of Cross Fan Bearing	76512203	1
37	Ring of Bearing	26152025	1
38	Evaporator Support	24212103	1
39	Rubber Plug	76712012	1

Above data is subject to change without notice, pls reference the SP in global service website.

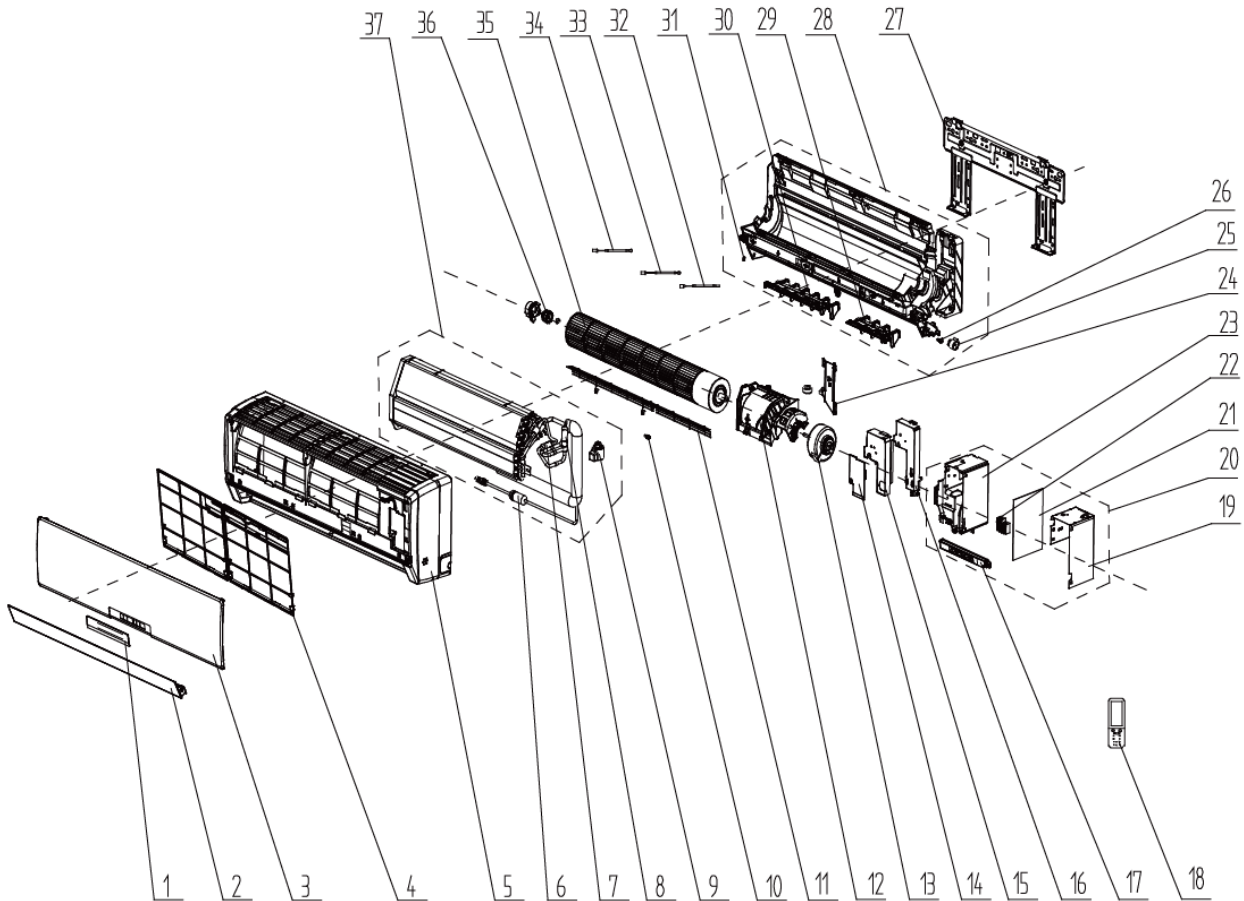
Exploded View of GMV-ND22G/A3A-T、GMV-ND28G/A3A-T:



No.	Name of part	For the following unit	
		Unit	Product Code
		GMV-ND22G/A3A-T	CM100N2560
		GMV-ND28G/A3A-T	CM100N2600
		Part code	Quantity
1	Receiver Window	22432230	1
2	Guide Louver	10512157	1
3	Front Panel A3	20012123C	1
4	Filter Sub-Assy	1112220403	1
5	Front Case Sub-assy	2001213931	1
6	Evaporator Assy	01024100097	2
7	Strainer	07414100006	4
8	Strainer	07213050	4
9	Electronic Expansion Valve	07334463	4
10	Electric Expand Valve Fitting	4304413217	2
11	Axile Bush	10542036	1
12	Rear Grill	01472013	1
13	Motor Press Plate	26904100117	1
14	Fan Motor	1501306804	1
15	Electric Box Cover2	2012207504	1
16	Shield Cover of Electric Box Sub-assy	01592073	1
17	Electric Box Cover1	2224213502	1
18	Display Board	30565007	2
19	Remote Controller	30510589	1
20	Lower Shield Sub-assy of Electric Box	01592072	2
21	Electric Box Assy	01394100451	1
22	Main Board	300002000702	2
23	Terminal Board	42010268	2
24	Electric Box	2011216702	2
25	Connecting pipe clamp	26112164	1
26	Stepping Motor	1521212901	2
27	Crank	10582070	2
28	Wall Mounting Frame	01252021	1
29	Rear Case Sub-Assy	2220294712	2
30	Air Louver 1	10512164	2
31	Air Louver 2	10512165	2
32	Left Axile Bush	10512037	2
33	Temperature Sensor	390000454	1
34	Temperature Sensor	39000076G	1
35	Temperature Sensor	390002072G	1
36	Cross Flow Fan	10454101	1
37	O-Gasket of Cross Fan Bearing	76512203	3

Above data is subject to change without notice, pls reference the SP in global service website.

Exploded View of GMV-ND36G/A3A-T、GMV-ND45G/A3A-T、GMV-ND50G/A3A-T:

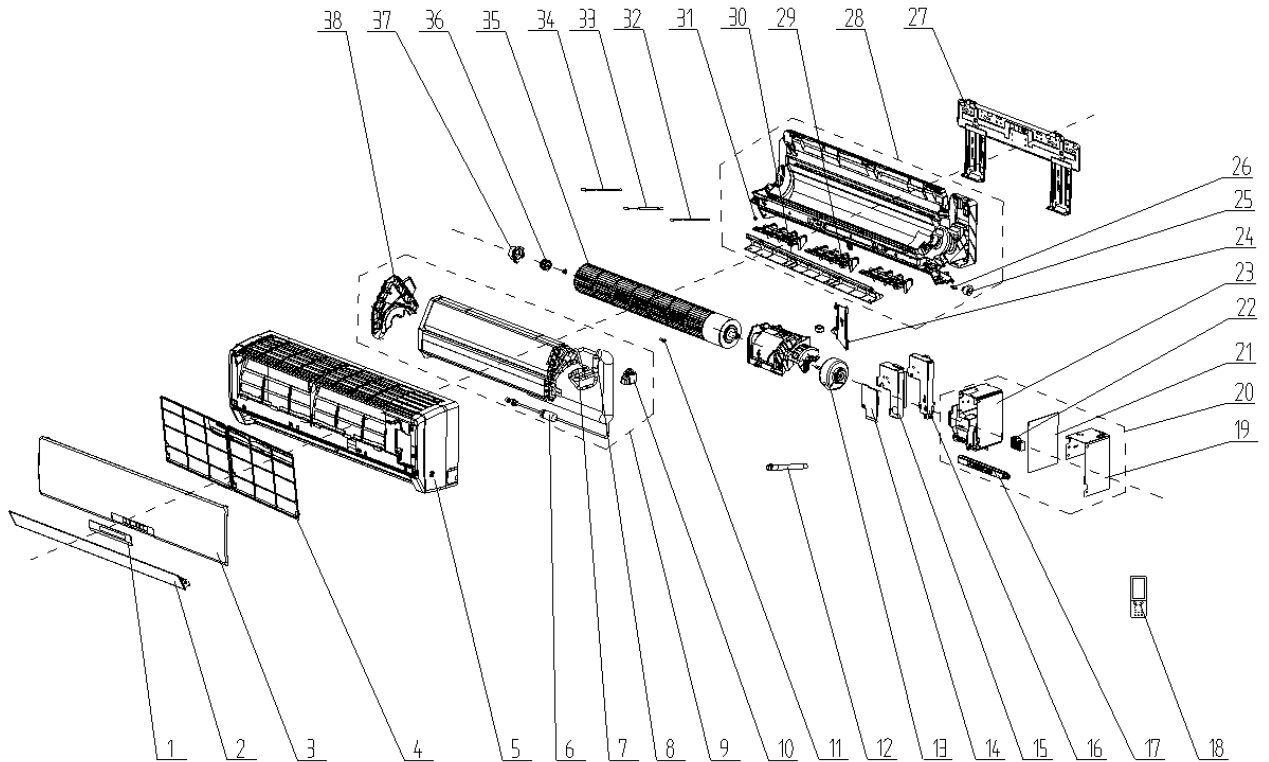


No.	Name of part	For the following unit	
		Unit	Product Code
		GMV-ND36G/A3A-T	CM100N2590
		GMV-ND45G/A3A-T	CM100N2580
		GMV-ND50G/A3A-T	CM100N2610
	Part code	Quantity	
1	Receiver Window	22432173	1
2	Guide Louver	10512115	1
3	Front Panel Assy	20022146	1
4	Filter Sub-Assy	1112000000	2
5	Front Case Sub-assy	20022172	1
6	Strainer	07414100006	1
7	Strainer	7213050	1
8	Electronic Expansion Valve	7334466	1
9	Electric Expand Valve Fitting	4304000000	1
10	Axile Bush	10542036	1
11	Mesh Enclosure(Air Outlet)	1472015	1
12	Motor Press Plate	26904264	1
13	Fan Motor	1501246601	1
14	Electric Box Cover	2011000000	1
15	Shield Cover of Electric Box	1592092	1
16	Electric Box Cover1	2012000000	1
17	Display Board	30565038	1
18	Remote Controller	30510589	1

No.	Name of part	For the following unit	
		Unit	Product Code
		GMV-ND36G/A3A-T	CM100N2590
		GMV-ND45G/A3A-T	CM100N2580
		GMV-ND50G/A3A-T	CM100N2610
	Part code	Quantity	
19	Lower Shield of Electric Box	1592091	1
20	Electric Box Assy	1394000000	1
21	Main Board	300002000703	1
22	Terminal Board	42010268	1
23	Electric Box	2011000000	1
24	Connecting pipe clamp	26112164	1
25	Stepping Motor	15012086	1
26	Crank	10582070	1
27	Wall Mounting Frame	1252218	1
28	Rear Case Sub-Assy	2220000000	1
29	Air Louver 1	10512708	1
30	Air Louver 2	10512709	1
31	Left Axle Bush	10512037	1
32	Temperature Sensor	39000076G	1
33	Temperature Sensor	390000454	1
34	Temperature Sensor	390002072G	1
35	Cross Flow Fan	10454102	1
36	O-Gasket of Cross Fan Bearing	76512203	1
37	Evaporator Assy	01024100101	1

Above data is subject to change without notice, pls reference the SP in global service website.

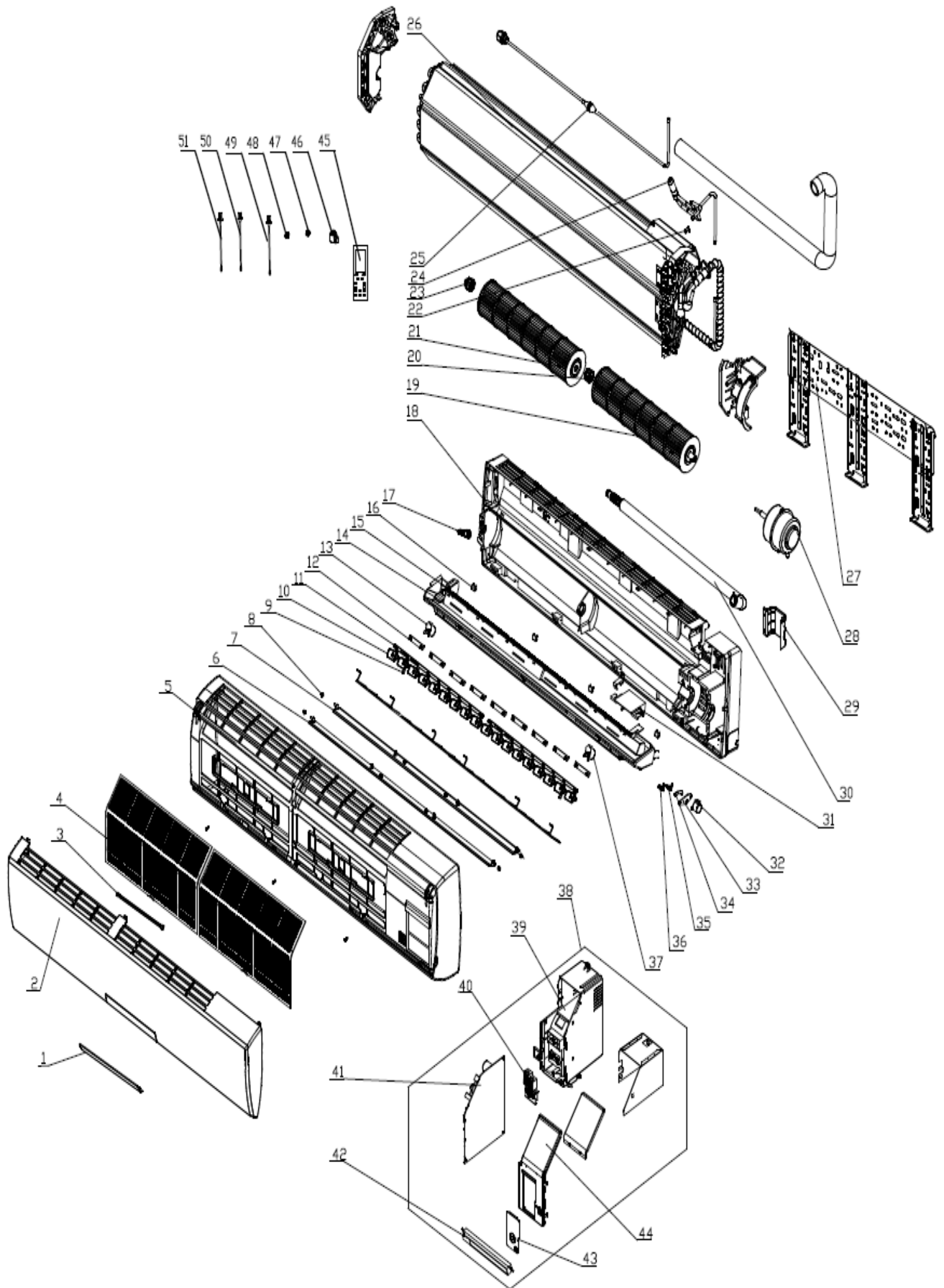
Exploded View of GMV-ND56G/A3A-T、GMV-ND63G/A3A-T、GMV-ND71G/A3A-T:



No.	Name of part	For the following unit	
		Unit	Product Code
		GMV-ND56G/A3A-T	CM100N2570
		GMV-ND63G/A3A-T	CM100N2550
		GMV-ND71G/A3A-T	CM100N2540
		Part code	Quantity
1	Receiver Window	22432173	1
2	Guide Louver	10512118	1
3	Front Panel Assy	20012328	1
4	Filter Sub-Assy	11122091	2
5	Front Case Assy	20012329	1
6	Strainer	07414100006	1
7	Strainer	11120011	1
8	Electronic Expansion Valve	07334466	1
9	Evaporator Assy	01024100100	1
10	Electric Expand Valve Fitting	4304413217	1
11	Axile Bush	10542036	2
12	Drainage Hose	0523001405	1
13	Fan Motor	1501212701	1
14	Electric Box Cover	2011208104	1
15	Shield Cover of Electric Box	01592092	1
16	Electric Box Cover1	20122154	1
17	Display Board	30565038	1
18	Remote Controller	30510589	1
19	Lower Shield of Electric Box	01592091	1
20	Electric Box Assy	100002003094	1
21	Main Board	300002000703	1
22	Terminal Board	4201026805	1
23	Electric Box	2011210801	1
24	Connecting pipe clamp	26112188	1
25	SteppingMotor	1521300101	1
26	Crank	10582070	1
27	Wall Mounting Frame	01252032	1
28	Rear Case Sub-Assy	2220294203	1
29	Air Louver 1	10512159	3
30	Helicoid Tongue	26112187	1
31	Left Axile Bush	10512037	1
32	Temperature Sensor	39000076G	1
33	Temperature Sensor	390000456	1
34	Temperature Sensor	390002072	1
35	Cross Flow Fan	10454103	1
36	O-Gasket of Cross Fan Bearing	76512203	1
37	Ring of Bearing	26152025	1
38	Evaporator Support	24212103	1

Above data is subject to change without notice, pls reference the SP in global service website.

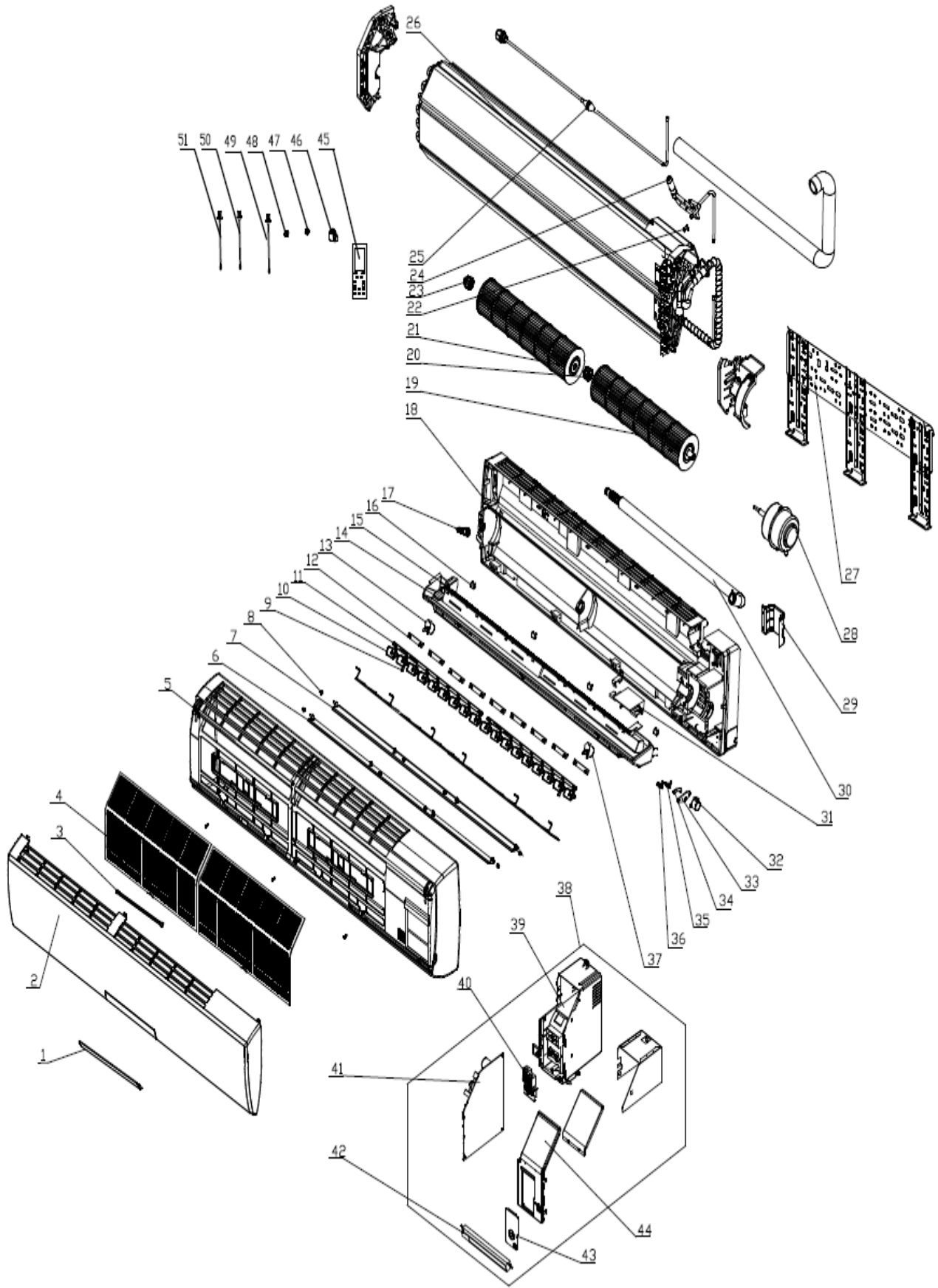
Exploded View of GMV-ND80G/A3A-T、GMV-ND90G/A3A-T、GMV-ND100G/A3A-T、
GMV-ND80G/B4B-T、GMV-ND90G/B4B-T、GMV-ND100G/B4B-T:



No.	Name of part	For the following unit	
		Unit	Product Code
		GMV-ND80G/A3A-T	CM100N2620
		GMV-ND90G/A3A-T	CM100N2630
		GMV-ND100G/A3A-T	CM100N2640
	Part code	Quantity	
1	Receiver Window	22432164	1
2	Front Panel	20012490S	1
3	Stand Bar	24212120	1
4	Filter Sub-Assy	11122106	2
5	Front Case Sub-assy	209007000027	1
6	Upper Guide Louver	10512166	1
7	Lower Guide Louver	10512167	1
8	Axile Bush	10542704	6
9	Air Louver 2	10512169	2
10	Air Louver 1	10512168	16
11	Connecting Rod	10582086	2
12	Louver Clamp	26112127	9
13	Stepping Motor	1521210701	1
14	Water Tray	20182138	1
15	Air Guider System in Water Tray Assy	10102040	1
16	Screw Cover	242520053	4
17	Rubber Plug (Water Tray)	76712012	1
18	Rear Case Sub-Assy	22202703	1
19	Cross Flow Fan 1	10352039	1
20	Bearing Holder Sub-assy	26152028	1
21	Cross Flow Fan 2	10352040	1
22	Filter Sub-Assy	11120012	1
23	O-Gasket sub-assy of Bearing	76512051	1
24	Strainer A	0721002201	1
25	Electronic Expansion Valve	07334468	1
26	Evaporator Assy	011001000608	1
27	Wall Mounting Frame	01252398	1
28	Fan Motor	1501213401	1
29	Pipe Clamp	26112071	1
30	Drainage Hose	0523001404	1
31	Cover Plate	20122124	1
32	Stepping Motor	1501207902	1
33	Press Plate(Crank)	26112070	1
34	Crank-guide	10582041	1
35	Upper Crank	10562004	1
36	Lower crank	10562005	1
37	Stepping Motor	15012122	1
38	Electric Box Assy	100002003763	1
39	Electric Box	201022502	1
40	Terminal Board	42010268	1
41	Main Board	300002000701	1
42	Display Board	30565087	1
43	Electric Box Cover	201022523	1

No.	Name of part	For the following unit	
		Unit	Product Code
		GMV-ND80G/A3A-T	CM100N2620
		GMV-ND90G/A3A-T	CM100N2630
		GMV-ND100G/A3A-T	CM100N2640
		Part code	Quantity
44	Electric Box Cover	2011204404S	1
45	Remote Controller	30510589	1
46	Electric Expand Valve Fitting	4304413217	1
47	Fan Bearing	7651221001	1
48	Fan Bearing	76512210	1
49	Temperature Sensor	390002072	1
50	Temperature Sensor	39000076G	1
51	Temperature Sensor	390000454	1

Above data is subject to change without notice, pls refer the SP in global service website.

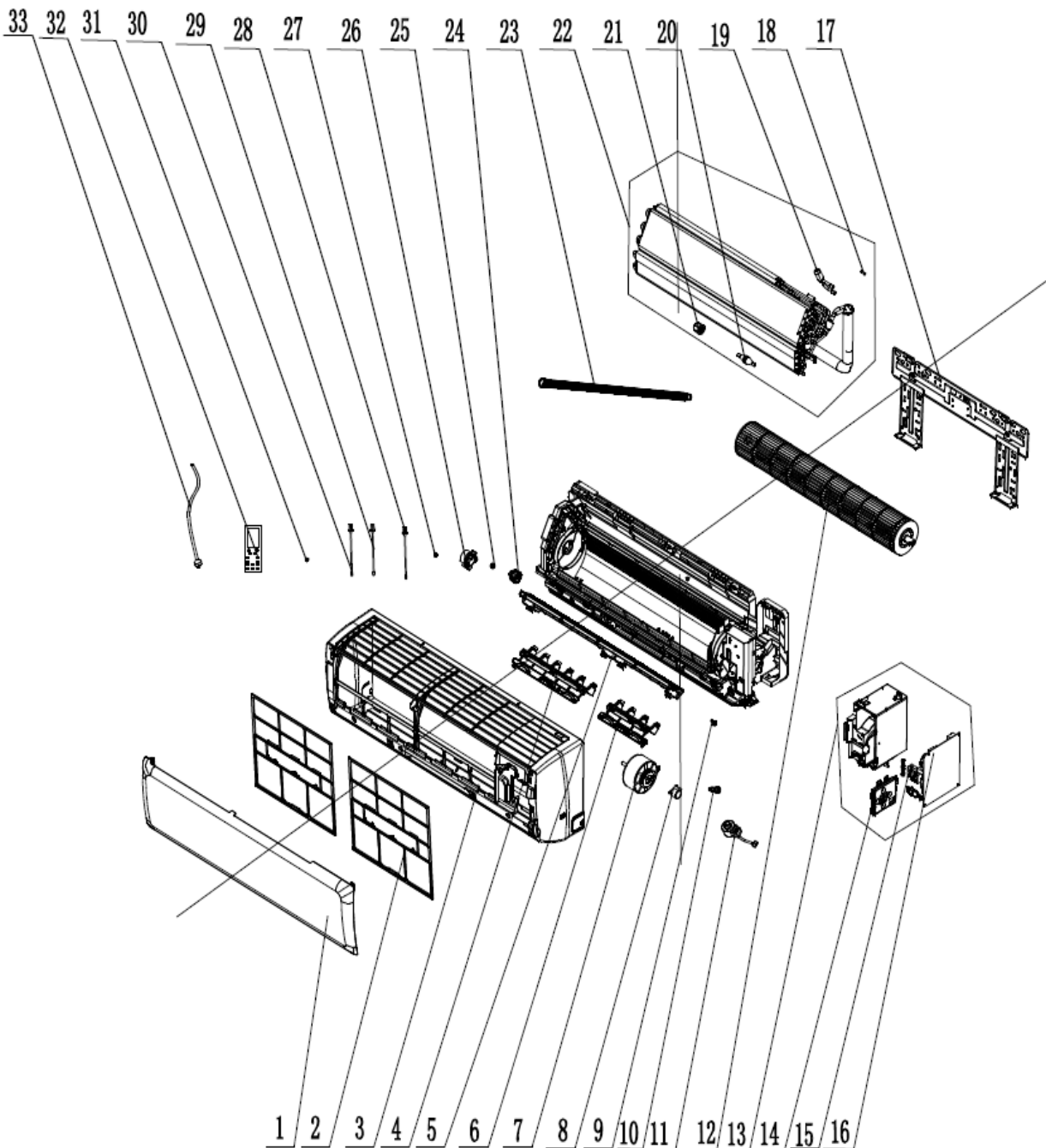


No.	Name of part	For the following unit	
		Unit	Product Code
		GMV-ND80G/B4B-T	CM100N2930
		GMV-ND90G/B4B -T	CM100N2940
		GMV-ND100G/B4B -T	CM100N2840
	Part code	Quantity	
1	Receiver Window	22432164	0
2	Front Panel	20022158C	1
3	Stand Bar	2421212001	1
4	Filter Sub-Assy	1112210601	2
5	Front Case Sub-assy	209007060019	1
6	Upper Guide Louver	10512166	1
7	Lower Guide Louver	10512167	1
8	Axile Bush	10542704	6
9	Air Louver 2	10512169	2
10	Air Louver 1	10512168	16
11	Connecting Rod	10582086	2
12	Louver Clamp	26112127	9
13	Stepping Motor	1521210701	1
14	Water Tray	20182138	1
15	Air Guider System in Water Tray Assy	10102040	1
16	Screw Cover	242520053	4
17	Rubber Plug (Water Tray)	76712012	1
18	Rear Case Sub-Assy	22202703	1
19	Cross Flow Fan 1	10352039	1
20	Bearing Holder Sub-assy	26152028	1
21	Cross Flow Fan 2	10352040	1
22	Filter Sub-Assy	11120012	1
23	O-Gasket sub-assy of Bearing	76512051	1
24	Strainer A	0721002201	1
25	Electronic Expansion Valve	07334468	1
26	Evaporator Assy	011001000608	1
27	Wall Mounting Frame	01252398	1
28	Fan Motor	1501213401	1
29	Pipe Clamp	26112071	1
30	Drainage Hose	0523001404	1
31	Cover Plate	2012212402	1
32	Stepping Motor	1501207902	1
33	Press Plate(Crank)	26112070	1
34	Crank-guide	10582041	1
35	Upper Crank	10562004	1
36	Lower crank	10562005	1
37	Stepping Motor	15012122	1
38	Electric Box Assy	100002063782	1
39	Electric Box	201022502	1
45	Remote Controller	30510589	1
46	Electric Expand Valve Fitting	4304413217	1
47	Fan Bearing	7651221001	1
48	Fan Bearing	76512210	1

No.	Name of part	For the following unit	
		Unit	Product Code
		GMV-ND80G/B4B-T	CM100N2930
		GMV-ND90G/B4B -T	CM100N2940
		GMV-ND100G/B4B -T	CM100N2840
Part code	Quantity		
49	Temperature Sensor	390002072	1
50	Temperature Sensor	39000076G	1
51	Temperature Sensor	390000454	1

Above data is subject to change without notice, pls reference the SP in global service website.

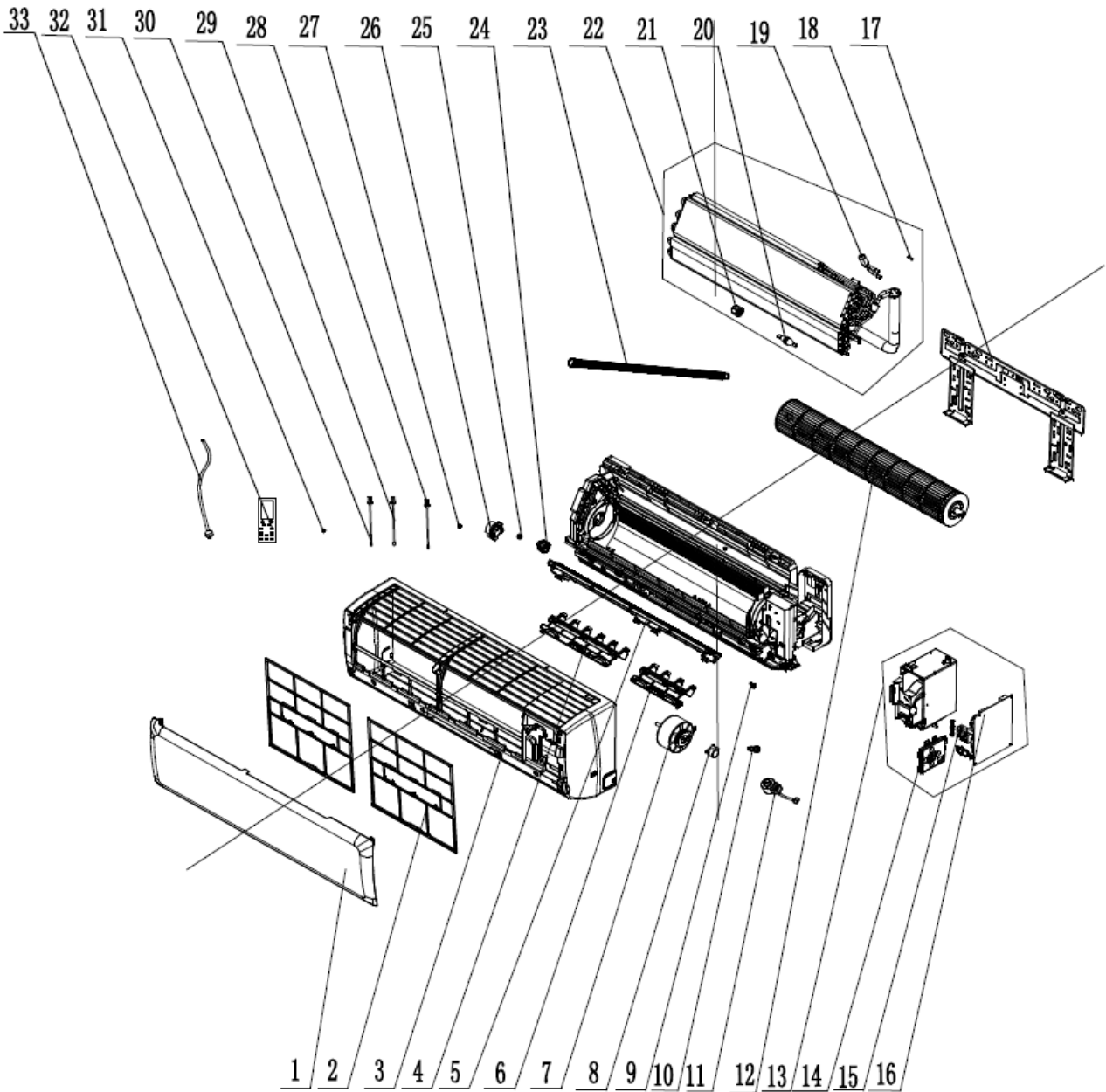
Exploded View of GMV-ND15G/B6B-T, GMV-ND18G/B6B-T, GMV-ND22G/B6B-T, GMV-ND28G/B6B-T, GMV-ND36G/B6B-T:



No.	Name of part	For the following unit	
		Unit	Product Code
		GMV-ND15G/B6B-T	CM100N3300
		GMV-ND18G/B6B-T	CM100N3310
		GMV-ND22G/B6B-T	CM100N3240
		GMV-ND28G/B6B-T	CM100N3270
		GMV-ND36G/B6B-T	CM100N3210
		Part code	Quantity
1	Front Panel	20000300049T	1
2	Filter Sub-Assy	11122468	2
3	Front CaseAssy	00000200045	1
4	Air Louver1	10512723	1
5	Helicoid Tongue	26112436	1
6	Air Louver2	10512724	1
7	Fan Motor	1501246601	1
8	Stepping Motor	1521210710	1
9	Crank	73012005	1
10	Rubber Plug(WaterTray)	76712012	1
11	Electric Expand ValveFitting	4304413216	1
12	Cross Flow Fan	10352056	1
13	Electric Box Assy	100002061039	1
14	Display Board	30565281	1
15	Terminal Board	4201026805	1
16	Main Board	300002061506	1
17	Wall Mounting Frame	01252484	1
18	Filter Sub-Assy	11120011	1
19	Electronic Expansion Valve	07334463	1
20	Strainer A	0721002201	1
21	Sealing Cap(PressureWarning)	2611219201	1
22	Evaporator Assy	011001060163	1
23	Drainage Hose	05230014	1
24	O-Gasket of Cross FanBearing	76512203	1
25	Fan Bearing	7651221001	1
26	Ring of Bearing	26152022	1
27	Left Axile Bush	10512037	1
28	Temperature Sensor	390000454	1
29	Temperature Sensor	39000076G	1
30	Temperature Sensor	390002072	1
31	Axile Bush	10542036	1
32	Remote Controller	30510589	1
33	Power Cord	4002046417	1

Above data is subject to change without notice, pls reference the SP in global service website.

Exploded View of GMV-ND15G/B4B-T、GMV-ND18G/B4B-T、GMV-ND22G/B4B-T、GMV-ND28G/B4B-T、GMV-ND36G/B4B-T:

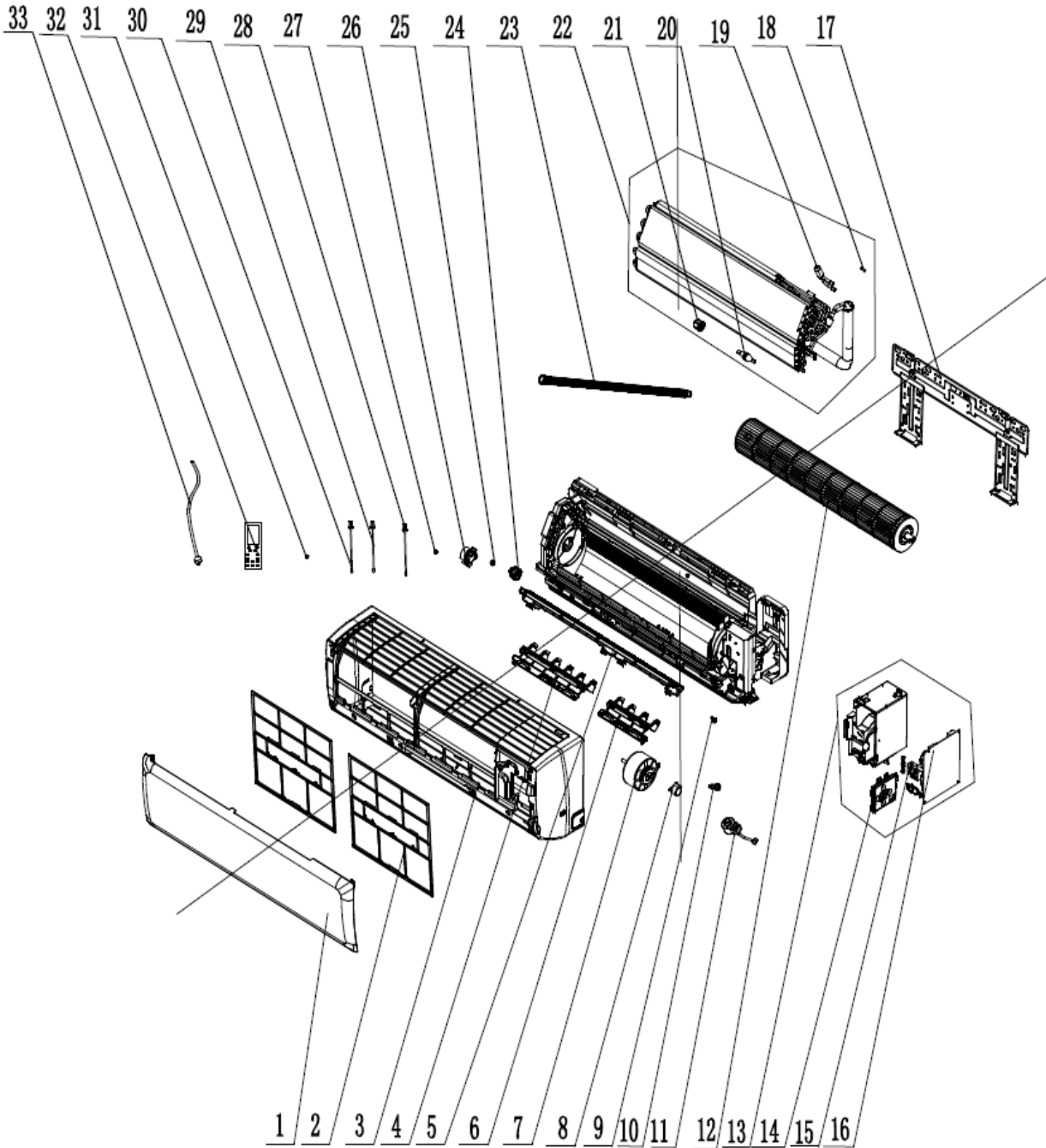


No.	Name of part	For the following unit	
		Unit	Product Code
		GMV-ND15G/B4B-T	CM100N3280
		GMV-ND18G/B4B-T	CM100N3290
		GMV-ND22G/B4B-T	CM100N2770
		GMV-ND28G/B4B-T	CM100N2780
		GMV-ND36G/B4B-T	CM100N2760
		Part code	Quantity
1	Front Panel	20000300027T	1
2	Filter Sub-Assy	11122468	2
3	Front CaseAssy	00000200045	1
4	Air Louver1	10512723	1
5	Helicoid Tongue	26112436	1
6	Air Louver2	10512724	1

No.	Name of part	For the following unit	
		Unit	Product Code
		GMV-ND15G/B4B-T	CM100N3280
		GMV-ND18G/B4B-T	CM100N3290
		GMV-ND22G/B4B-T	CM100N2770
		GMV-ND28G/B4B-T	CM100N2780
		GMV-ND36G/B4B-T	CM100N2760
		Part code	Quantity
7	Fan Motor	1501246601	1
8	Stepping Motor	1521210710	1
9	Crank	73012005	1
10	Rubber Plug(WaterTray)	76712012	1
11	Electric Expand ValveFitting	4304413216	1
12	Cross Flow Fan	10352056	1
13	Electric Box Assy	100002061039	1
14	Display Board	30565260	1
15	Terminal Board	4201026805	1
16	Main Board	300002060244	1
17	Wall Mounting Frame	01252484	1
18	Filter Sub-Assy	11120011	1
19	Electronic Expansion Valve	07334463	1
20	Strainer A	0721002201	1
21	Sealing Cap(PressureWarning)	2611219201	1
22	Evaporator Assy	011001060163	1
23	Drainage Hose	05230014	1
24	O-Gasket of Cross FanBearing	76512203	1
25	Fan Bearing	7651221001	1
26	Ring of Bearing	26152022	1
27	Left Axile Bush	10512037	1
28	Temperature Sensor	390000454	1
29	Temperature Sensor	39000076G	1
30	Temperature Sensor	390002072	1
31	Axile Bush	10542036	1
32	Remote Controller	30510589	1
33	Power Cord	4002046417	1

Above data is subject to change without notice, pls reference the SP in global service website.

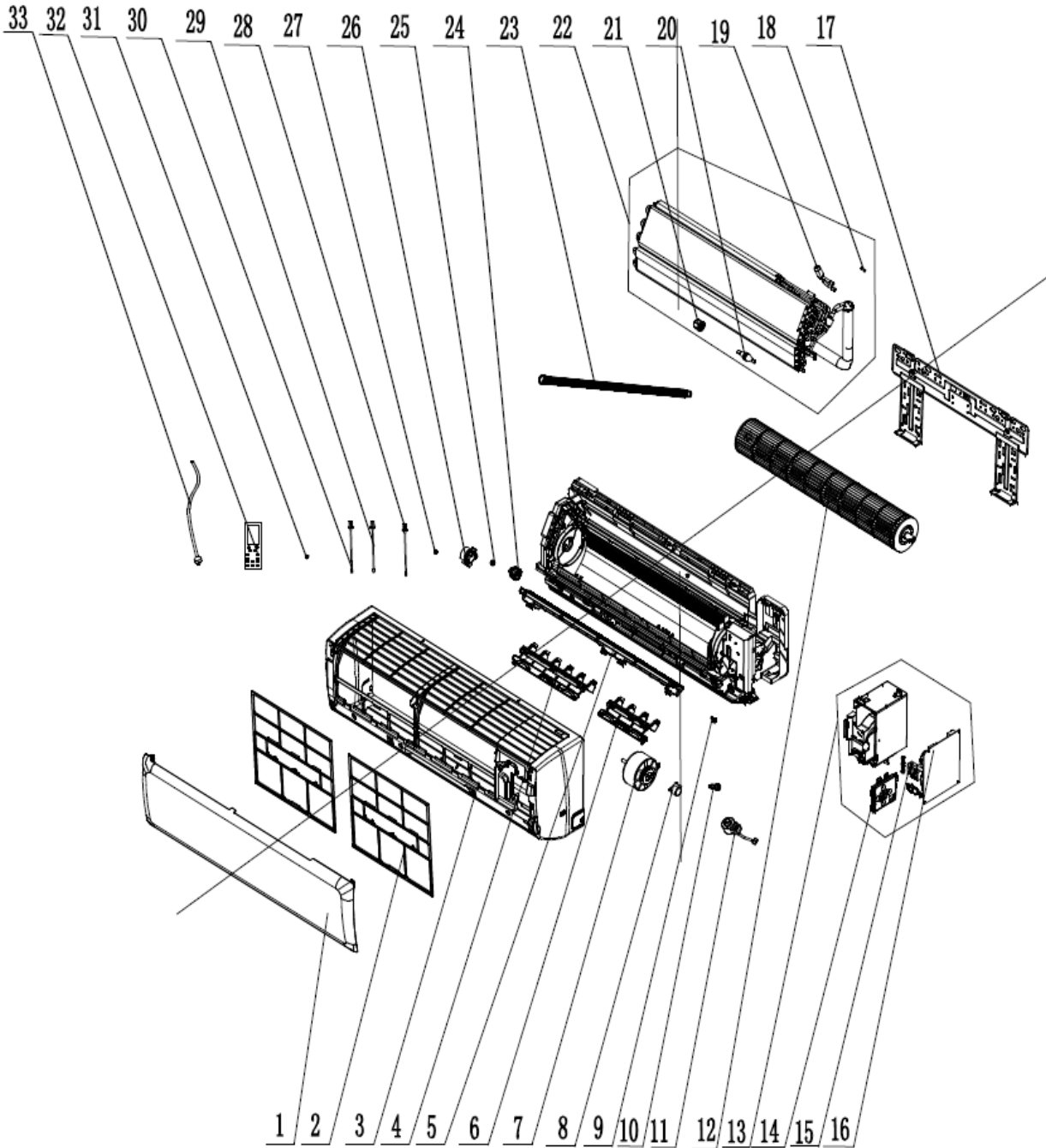
Exploded View of GMV-ND22G/C4B-T、GMV-ND28G/C4B-T、GMV-ND36G/C4B-T:



No.	Name of part	For the following unit	
		Unit	Product Code
		GMV-ND22G/C4B-T	CM100N3140
		GMV-ND28G/C4B-T	CM100N3130
		GMV-ND36G/C4B-T	CM100N3150
	Part code	Quantity	
1	Front Panel	20000300098S	1
2	Filter Sub-Assy	11122468	2
3	Front CaseAssy	00000200045	1
4	Air Louver1	10512723	1
5	Helicoid Tongue	26112436	1
6	Air Louver2	10512724	1
7	Fan Motor	1501246601	1
8	Stepping Motor	1521210710	1
9	Crank	73012005	1
10	Rubber Plug(WaterTray)	76712012	1
11	Electric Expand ValveFitting	4304413216	1
12	Cross Flow Fan	10352056	1
13	Electric Box Assy	100002061039	1
14	Display Board	30565260	1
15	Terminal Board	4201026805	1
16	Main Board	300002060244	1
17	Wall Mounting Frame	01252484	1
18	Filter Sub-Assy	11120011	1
19	Electronic Expansion Valve	07334463	1
20	Strainer A	0721002201	1
21	Sealing Cap(PressureWarning)	2611219201	1
22	Evaporator Assy	011001060163	1
23	Drainage Hose	05230014	1
24	O-Gasket of Cross FanBearing	76512203	1
25	Fan Bearing	7651221001	1
26	Ring of Bearing	26152022	1
27	Left Axile Bush	10512037	1
28	Temperature Sensor	390000454	1
29	Temperature Sensor	39000076G	1
30	Temperature Sensor	390002072	1
31	Axile Bush	10542036	1
32	Remote Controller	30510589	1
33	Power Cord	4002046417	1

Above data is subject to change without notice, pls reference the SP in global service website.

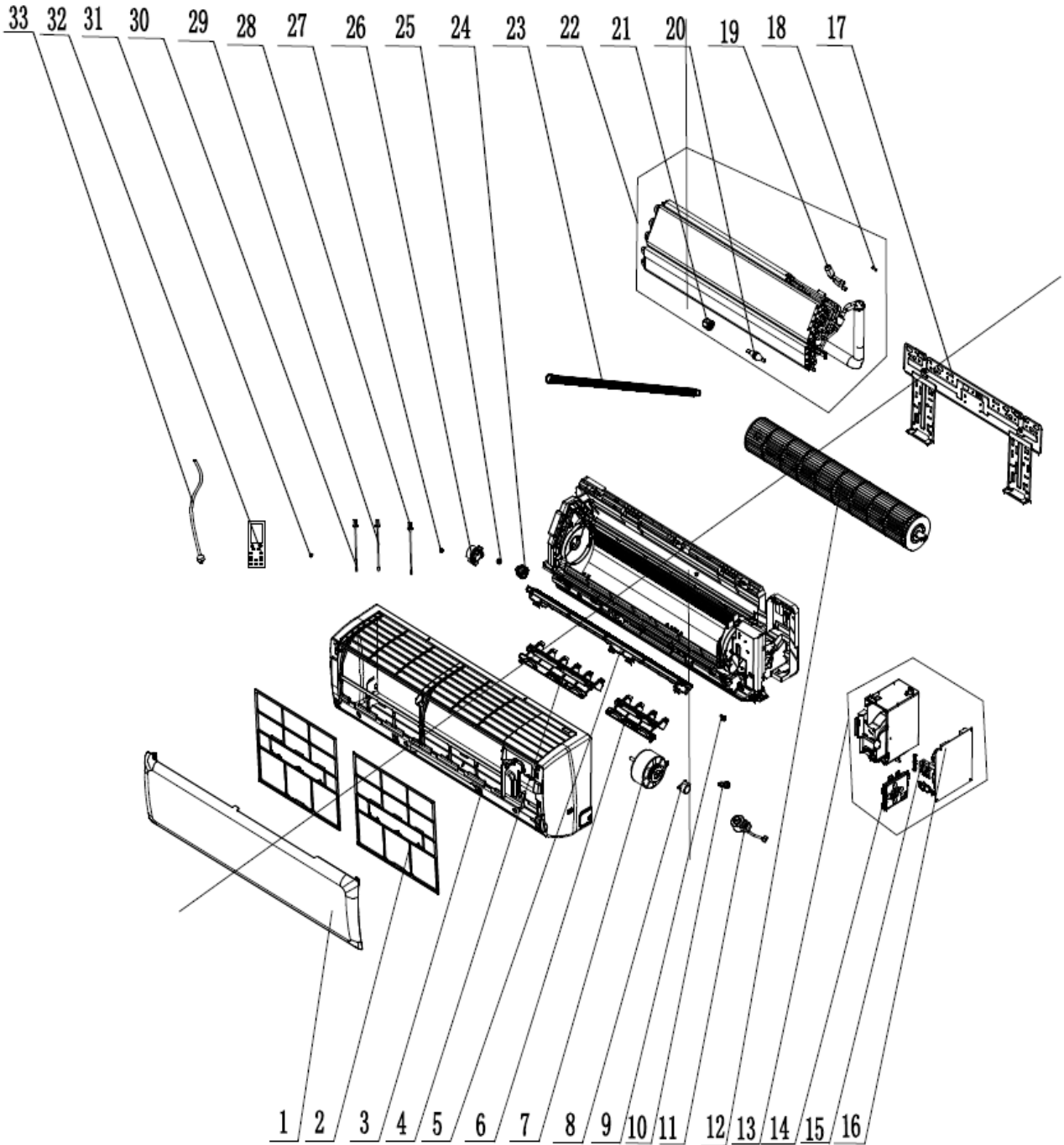
Exploded View of GMV-ND22G/C2B-T、GMV-ND28G/C2B-T、GMV-ND36G/C2B-T:



No.	Name of part	For the following unit	
		Unit	Product Code
		GMV-ND22G/C2B-T	CM100N3040
		GMV-ND28G/C2B-T	CM100N3080
		GMV-ND36G/C2B-T	CM100N3050
		Part code	Quantity
1	Front Panel	20000300069S	1
2	Filter Sub-Assy	11122468	2
3	Front CaseAssy	00000200045	1
4	Air Louver1	10512723	1
5	Helicoid Tongue	26112436	1
6	Air Louver2	10512724	1
7	Fan Motor	1501246601	1
8	Stepping Motor	1521210710	1
9	Crank	73012005	1
10	Rubber Plug(WaterTray)	76712012	1
11	Electric Expand ValveFitting	4304413216	1
12	Cross Flow Fan	10352056	1
13	Electric Box Assy	100002061039	1
14	Display Board	30565281	1
15	Terminal Board	4201026805	1
16	Main Board	300002060244	1
17	Wall Mounting Frame	01252484	1
18	Filter Sub-Assy	11120011	1
19	Electronic Expansion Valve	07334463	1
20	Strainer A	0721002201	1
21	Sealing Cap(PressureWarning)	2611219201	1
22	Evaporator Assy	011001060163	1
23	Drainage Hose	05230014	1
24	O-Gasket of Cross FanBearing	76512203	1
25	Fan Bearing	7651221001	1
26	Ring of Bearing	26152022	1
27	Left Axile Bush	10512037	1
28	Temperature Sensor	390000454	1
29	Temperature Sensor	39000076G	1
30	Temperature Sensor	390002072	1
31	Axile Bush	10542036	1
32	Remote Controller	30510589	1
33	Power Cord	4002046417	1

Above data is subject to change without notice,pls reference the SP in global service website.

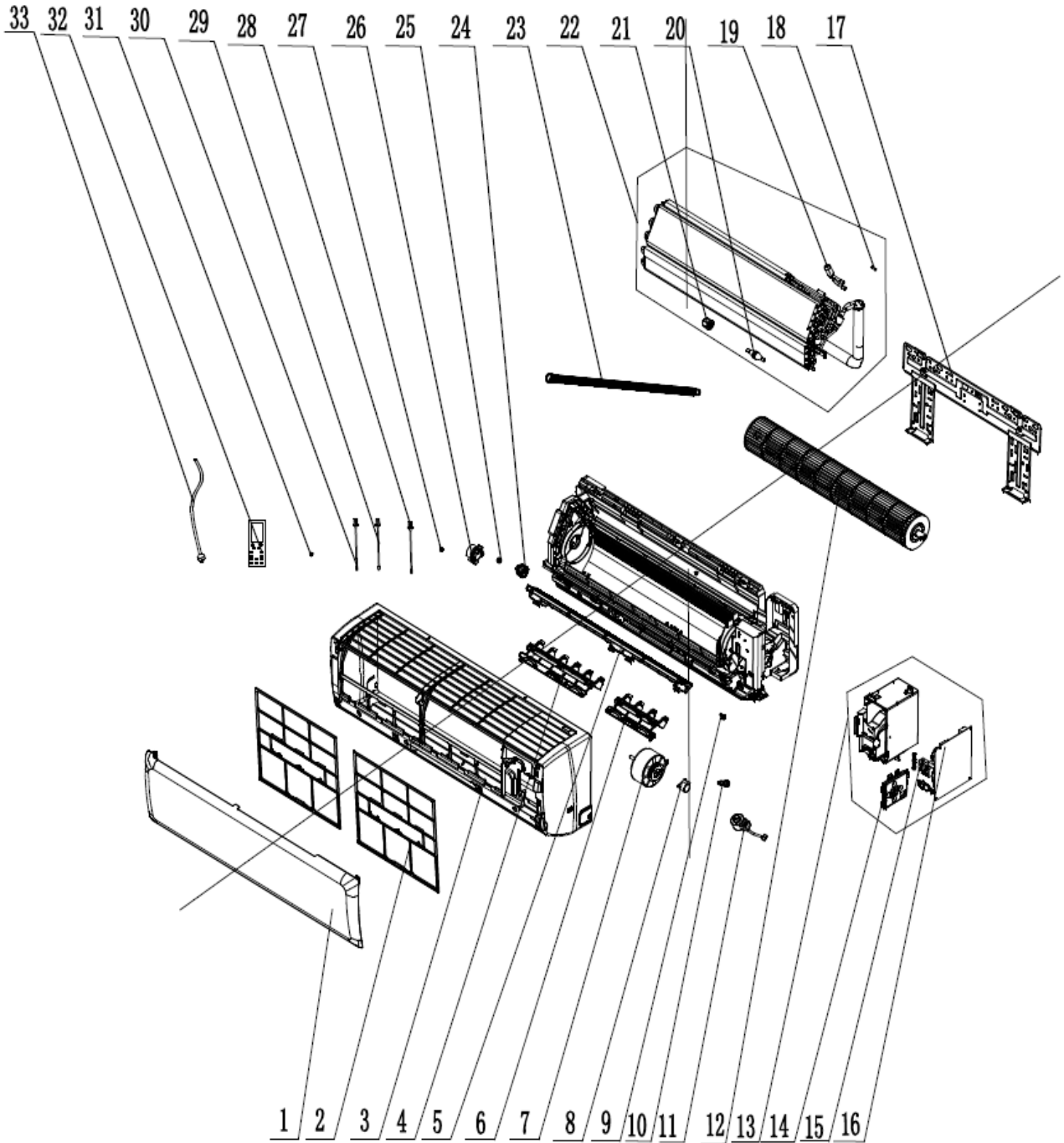
Exploded View of GMV-ND22G/D2B-T、GMV-ND28G/D2B-T、GMV-ND36G/D2B-T:



No.	Name of part	For the following unit	
		Unit	Product Code
		GMV-ND22G/D2B-T	CM100N2850
		GMV-ND28G/D2B-T	CM100N2860
		GMV-ND36G/D2B-T	CM100N2870
	Part code	Quantity	
1	Front Panel	00000300003303	1
2	Filter Sub-Assy	11122468	2
3	Front CaseAssy	00000200000703	1
4	Air Louver1	10512723	1
5	Helicoid Tongue	26112436	1
6	Air Louver2	10512724	1
7	Fan Motor	1501246601	1
8	Stepping Motor	1521210710	1
9	Crank	73012005	1
10	Rubber Plug(WaterTray)	76712012	1
11	Electric Expand ValveFitting	4304413216	1
12	Cross Flow Fan	10352056	1
13	Electric Box Assy	100002061039	1
14	Display Board	30565260	1
15	Terminal Board	4201026805	1
16	Main Board	300002060244	1
17	Wall Mounting Frame	01252484	1
18	Filter Sub-Assy	11120011	1
19	Electronic Expansion Valve	07334463	1
20	Strainer A	0721002201	1
21	Sealing Cap(PressureWarning)	2611219201	1
22	Evaporator Assy	011001060163	1
23	Drainage Hose	05230014	1
24	O-Gasket of Cross FanBearing	76512203	1
25	Fan Bearing	7651221001	1
26	Ring of Bearing	26152022	1
27	Left Axile Bush	10512037	1
28	Temperature Sensor	390000454	1
29	Temperature Sensor	39000076G	1
30	Temperature Sensor	390002072	1
31	Axile Bush	10542036	1
32	Remote Controller	30510589	1
33	Power Cord	4002046417	1

Above data is subject to change without notice,pls reference the SP in global service website.

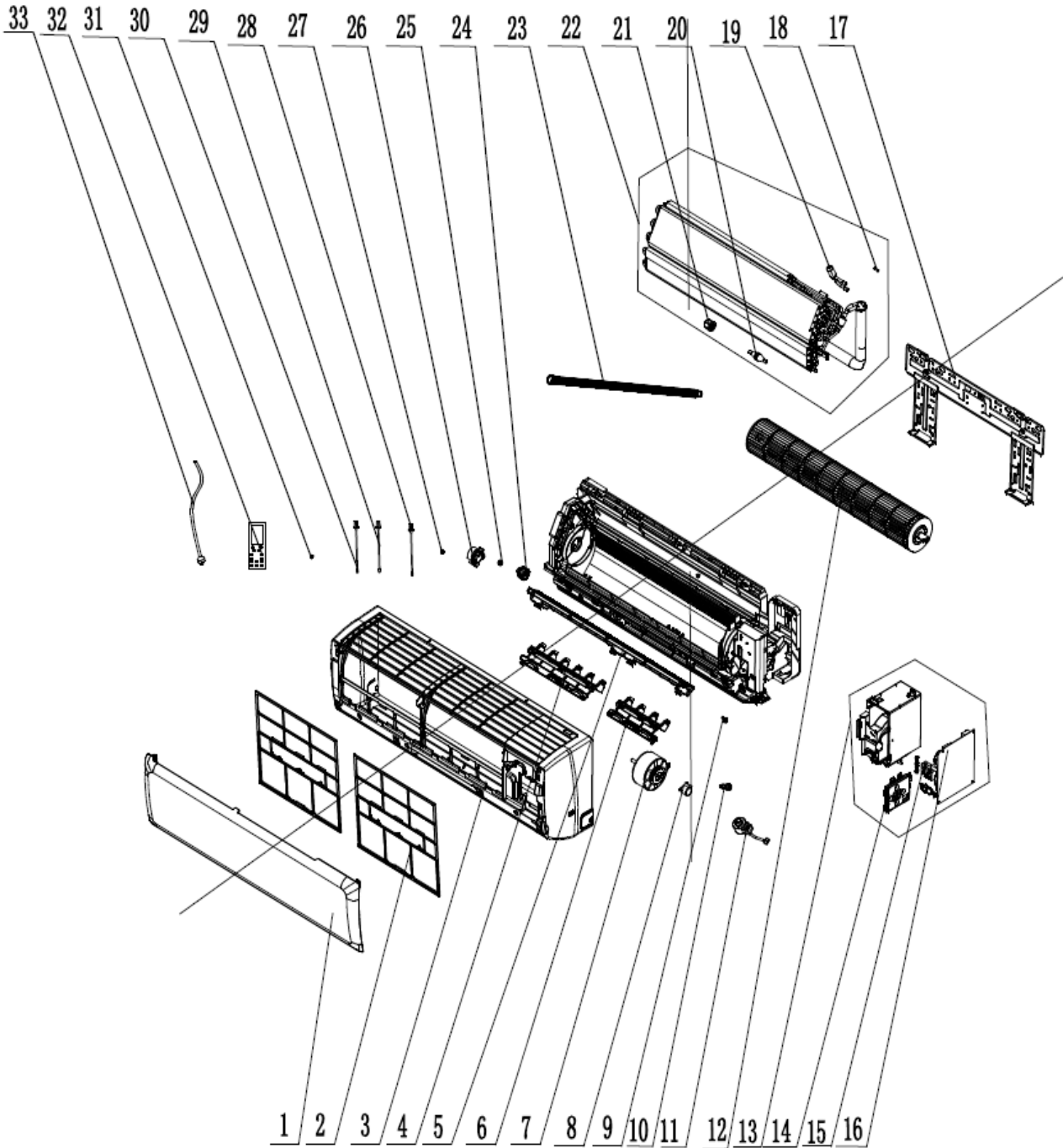
Exploded View of GMV-ND45G/B6B-T、GMV-ND50G/B6B-T:



No.	Name of part	For the following unit	
		Unit	Product Code
		GMV-ND45G/B6B-T	CM100N3250
		GMV-ND50G/B6B-T	CM100N3200
		Part code	Quantity
1	Front Panel	20000300040T	1
2	Filter Sub-Assy	1112208906	2
3	Front CaseAssy	00000200042	1
4	Air Louver1	10512732	1
5	Helicoid Tongue	26112512	1
6	Air Louver2	10512724	0
7	Fan Motor	15012136	1
8	Stepping Motor	1521240212	1
9	Crank	73012005	1
10	Rubber Plug(WaterTray)	76712012	1
11	Electric Expand ValveFitting	4304413216	1
12	Cross Flow Fan	10352060	1
13	Electric Box Assy	100002061356	1
14	Display Board	30565281	1
15	Terminal Board	4201026805	1
16	Main Board	300002061506	1
17	Wall Mounting Frame	01362026	1
18	Filter Sub-Assy	030209060001	1
19	Electronic Expansion Valve	07334466	1
20	Strainer A	0721002201	1
21	Sealing Cap(PressureWarning)	2611219202	1
22	Evaporator Assy	011001060216	1
23	Drainage Hose	05230014	1
24	O-Gasket of Cross FanBearing	76512203	1
25	Fan Bearing	7651221001	1
26	Ring of Bearing	26152025	1
27	Left Axile Bush	10512037	1
28	Temperature Sensor	390000454	1
29	Temperature Sensor	39000076G	1
30	Temperature Sensor	390002072	1
31	Axile Bush	10542036	1
32	Remote Controller	30510589	1
33	Power Cord	4002046417	1

Above data is subject to change without notice,pls reference the SP in global service website.

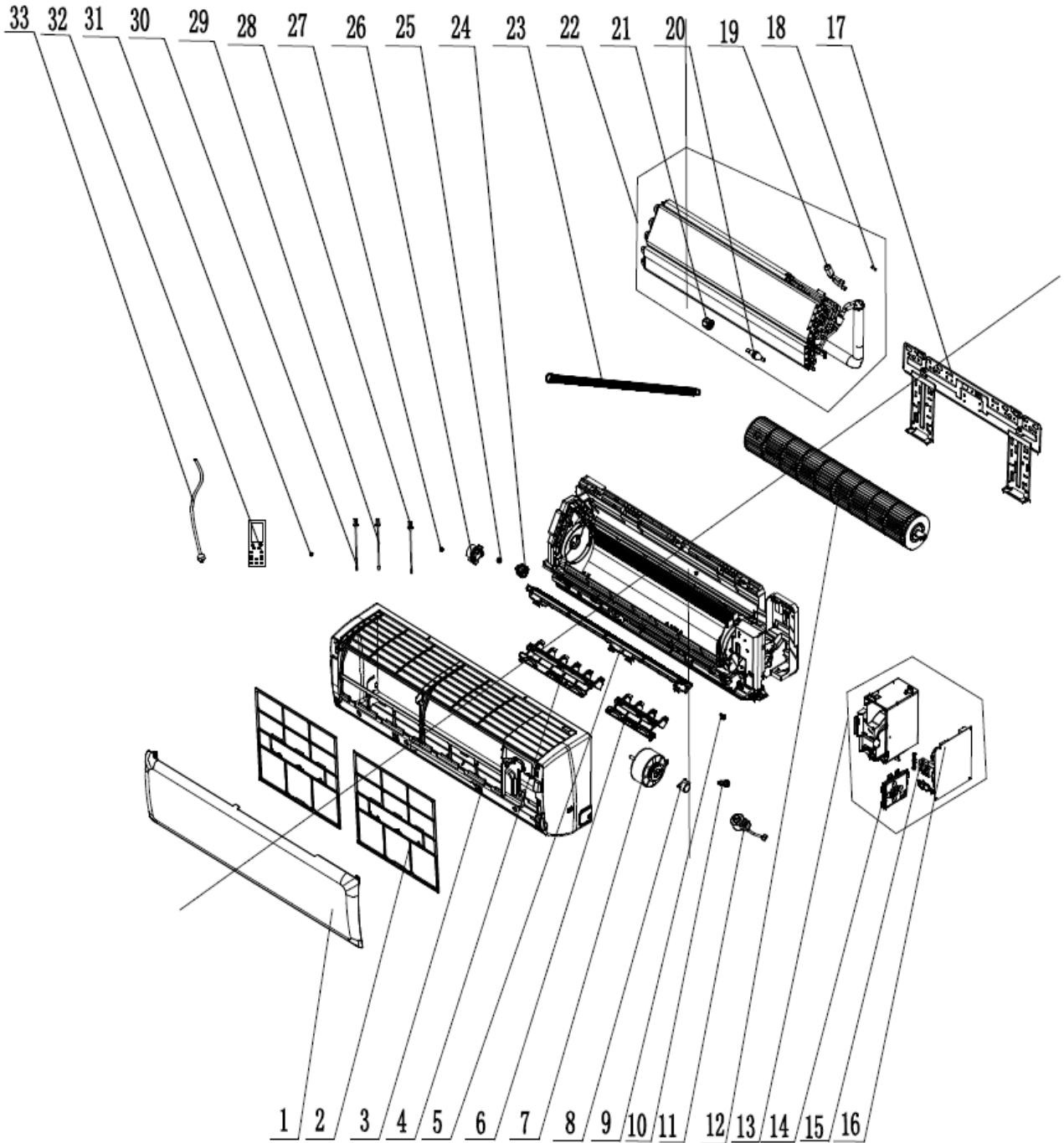
Exploded View of GMV-ND45G/B4B-T、GMV-ND50G/B4B-T:



No.	Name of part	For the following unit	
		Unit	Product Code
		GMV-ND45G/B4B-T	CM100N2790
		GMV-ND50G/B4B-T	CM100N2800
		Part code	Quantity
1	Front Panel	20000300028T	1
2	Filter Sub-Assy	1112208906	2
3	Front CaseAssy	00000200042	1
4	Air Louver1	10512732	1
5	Helicoid Tongue	26112512	1
6	Air Louver2	10512724	0
7	Fan Motor	15012136	1
8	Stepping Motor	1521240212	1
9	Crank	73012005	1
10	Rubber Plug(WaterTray)	76712012	1
11	Electric Expand ValveFitting	4304413216	1
12	Cross Flow Fan	10352060	1
13	Electric Box Assy	100002061356	1
14	Display Board	30565260	1
15	Terminal Board	4201026805	1
16	Main Board	300002060244	1
17	Wall Mounting Frame	01362026	1
18	Filter Sub-Assy	030209060001	1
19	Electronic Expansion Valve	07334466	1
20	Strainer A	0721002201	1
21	Sealing Cap(PressureWarning)	2611219202	1
22	Evaporator Assy	011001060216	1
23	Drainage Hose	05230014	1
24	O-Gasket of Cross FanBearing	76512203	1
25	Fan Bearing	7651221001	1
26	Ring of Bearing	26152025	1
27	Left Axile Bush	10512037	1
28	Temperature Sensor	390000454	1
29	Temperature Sensor	39000076G	1
30	Temperature Sensor	390002072	1
31	Axile Bush	10542036	1
32	Remote Controller	30510589	1
33	Power Cord	4002046417	1

Above data is subject to change without notice,pls reference the SP in global service website.

Exploded View of GMV-ND45G/C4B-T、GMV-ND50G/C4B-T:



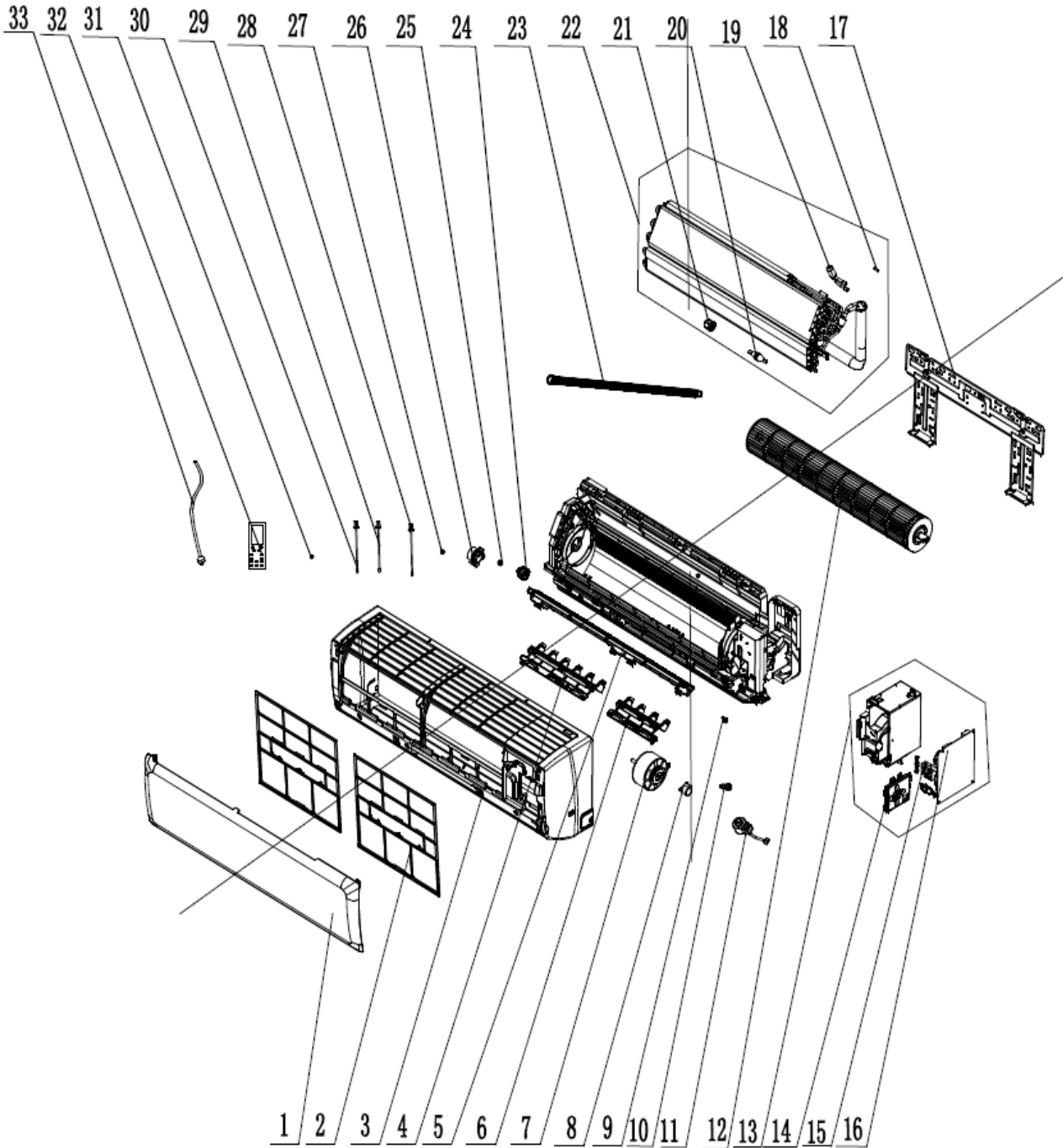
No.	Name of part	For the following unit	
		Unit	Product Code
		GMV-ND45G/C4B-T	CM100N3120
		GMV-ND50G/C4B-T	CM100N3160
		Part code	Quantity
1	Front Panel	20000300106S	1
2	Filter Sub-Assy	1112208906	2
3	Front CaseAssy	00000200042	1
4	Air Louver1	10512732	1
5	Helicoid Tongue	26112512	1
6	Air Louver2	10512724	0
7	Fan Motor	15012136	1
8	Stepping Motor	1521240212	1
9	Crank	73012005	1
10	Rubber Plug(WaterTray)	76712012	1
11	Electric Expand ValveFitting	4304413216	1
12	Cross Flow Fan	10352060	1
13	Electric Box Assy	100002061356	1
14	Display Board	30565260	1
15	Terminal Board	4201026805	1
16	Main Board	300002060244	1
17	Wall Mounting Frame	01362026	1
18	Filter Sub-Assy	030209060001	1
19	Electronic Expansion Valve	07334466	1
20	Strainer A	0721002201	1
21	Sealing Cap(PressureWarning)	2611219202	1
22	Evaporator Assy	011001060216	1
23	Drainage Hose	05230014	1
24	O-Gasket of Cross FanBearing	76512203	1
25	Fan Bearing	7651221001	1
26	Ring of Bearing	26152025	1
27	Left Axile Bush	10512037	1
28	Temperature Sensor	390000454	1
29	Temperature Sensor	39000076G	1
30	Temperature Sensor	390002072	1
31	Axile Bush	10542036	1
32	Remote Controller	30510589	1
33	Power Cord	4002046417	1

Above data is subject to change without notice,pls reference the SP in global service website.

No.	Name of part	For the following unit	
		Unit	Product Code
		GMV-ND45G/C2B-T	CM100N3060
		GMV-ND50G/C2B-T	CM100N3070
		Part code	Quantity
1	Front Panel	20000300070S	1
2	Filter Sub-Assy	1112208906	2
3	Front CaseAssy	00000200042	1
4	Air Louver1	10512732	1
5	Helicoid Tongue	26112512	1
6	Air Louver2	10512724	0
7	Fan Motor	15012136	1
8	Stepping Motor	1521240212	1
9	Crank	73012005	1
10	Rubber Plug(WaterTray)	76712012	1
11	Electric Expand ValveFitting	4304413216	1
12	Cross Flow Fan	10352060	1
13	Electric Box Assy	100002061356	1
14	Display Board	30565281	1
15	Terminal Board	4201026805	1
16	Main Board	300002060244	1
17	Wall Mounting Frame	01362026	1
18	Filter Sub-Assy	030209060001	1
19	Electronic Expansion Valve	07334466	1
20	Strainer A	0721002201	1
21	Sealing Cap(PressureWarning)	2611219202	1
22	Evaporator Assy	011001060216	1
23	Drainage Hose	05230014	1
24	O-Gasket of Cross FanBearing	76512203	1
25	Fan Bearing	7651221001	1
26	Ring of Bearing	26152025	1
27	Left Axile Bush	10512037	1
28	Temperature Sensor	390000454	1
29	Temperature Sensor	39000076G	1
30	Temperature Sensor	390002072	1
31	Axile Bush	10542036	1
32	Remote Controller	30510589	1
33	Power Cord	4002046417	1

Above data is subject to change without notice,pls reference the SP in global service website.

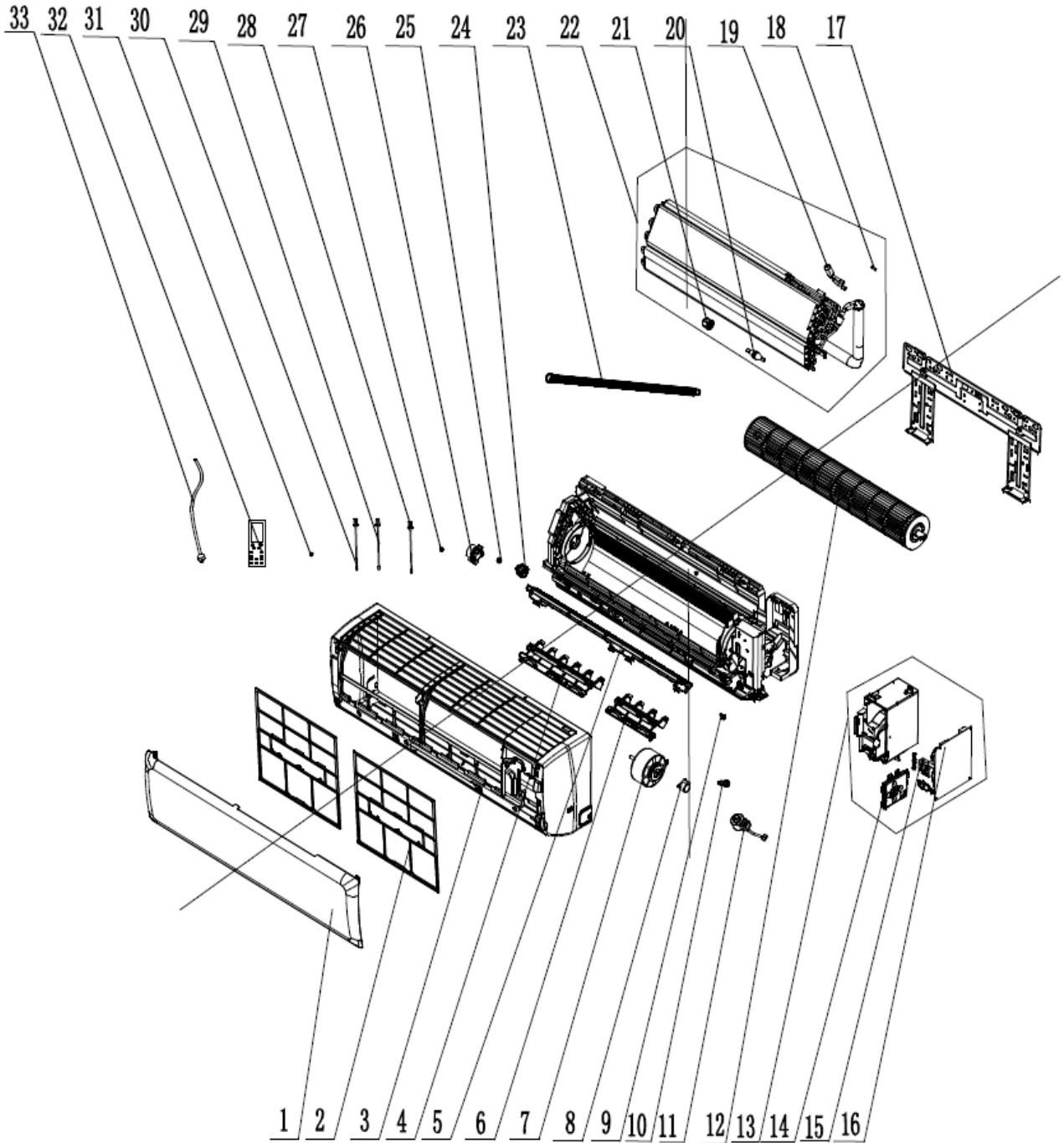
Exploded View of GMV-ND45G/D2B-T、GMV-ND50G/D2B-T:



No.	Name of part	For the following unit	
		Unit	Product Code
		GMV-ND45G/D2B-T	CM100N2880
		GMV-ND50G/D2B-T	CM100N2890
		Part code	Quantity
1	Front Panel	00000300003104	1
2	Filter Sub-Assy	1112208906	2
3	Front CaseAssy	0000020004203	1
4	Air Louver1	10512732	3
5	Helicoid Tongue	26112512	1
6	Air Louver2	10512724	0
7	Fan Motor	15012136	1
8	Stepping Motor	1521240212	1
9	Crank	73012005	1
10	Rubber Plug(WaterTray)	76712012	1
11	Electric Expand ValveFitting	4304413216	1
12	Cross Flow Fan	10352060	1
13	Electric Box Assy	100002061356	1
14	Display Board	30565260	1
15	Terminal Board	4201026805	1
16	Main Board	300002060244	1
17	Wall Mounting Frame	01362026	1
18	Filter Sub-Assy	030209060001	1
19	Electronic Expansion Valve	07334466	1
20	Strainer A	0721002201	1
21	Sealing Cap(PressureWarning)	2611219202	1
22	Evaporator Assy	011001060216	1
23	Drainage Hose	05230014	1
24	O-Gasket of Cross FanBearing	76512203	1
25	Fan Bearing	7651221001	1
26	Ring of Bearing	26152025	1
27	Left Axile Bush	10512037	1
28	Temperature Sensor	390000454	1
29	Temperature Sensor	39000076G	1
30	Temperature Sensor	390002072	1
31	Axile Bush	10542036	1
32	Remote Controller	30510589	1
33	Power Cord	4002046417	1

Above data is subject to change without notice,pls reference the SP in global service website.

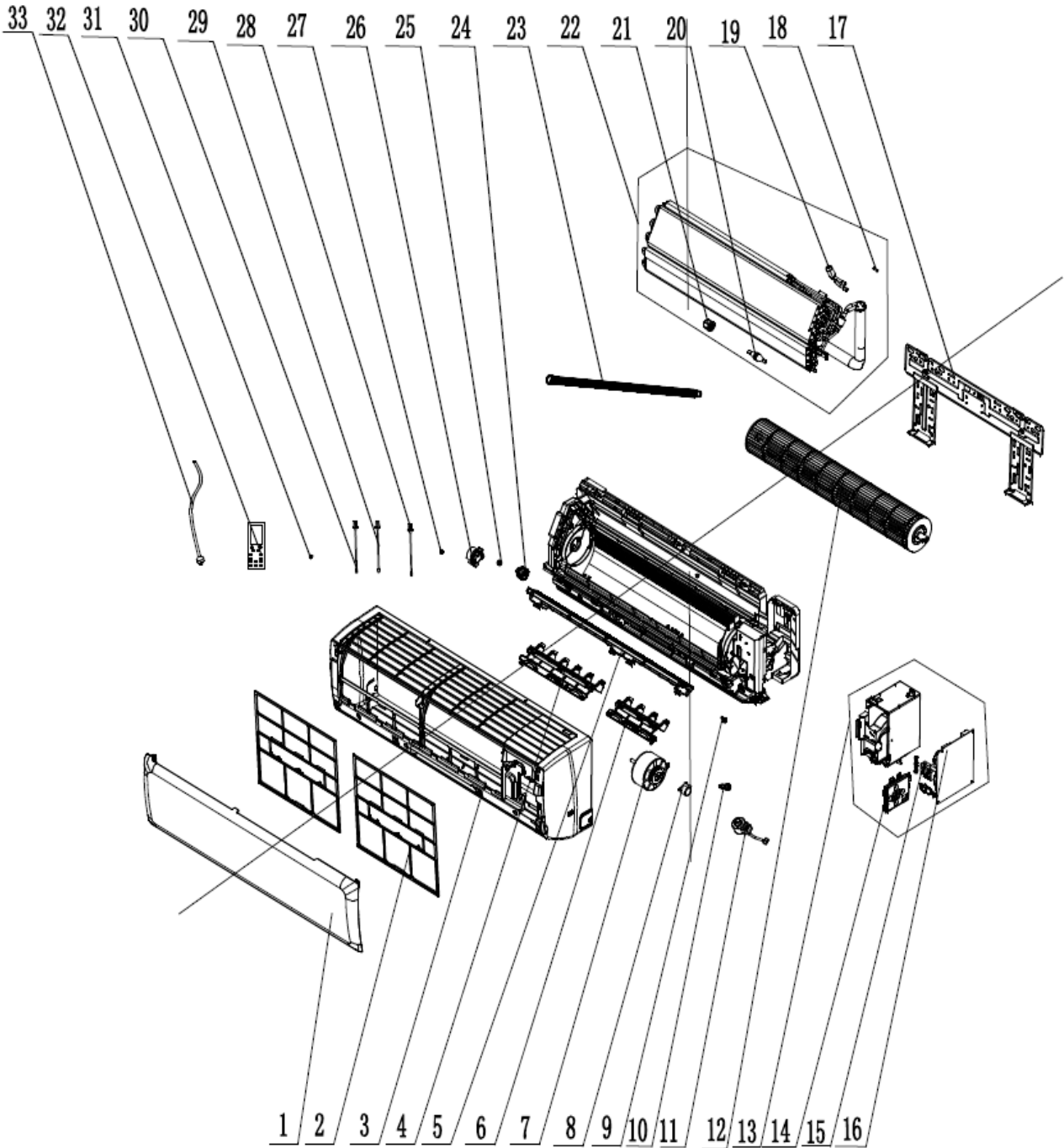
Exploded View of GMV-ND56G/B6B-T、GMV-ND63G/B6B-T、GMV-ND71G/B6B-T:



No.	Name of part	For the following unit	
		Unit	Product Code
		GMV-ND56G/B6B-T	CM100N3240
		GMV-ND63G/B6B-T	CM100N3230
		GMV-ND71G/B6B-T	CM100N3220
	Part code	Quantity	
1	Front Panel	20000300048T	1
2	Filter Sub-Assy	1101200703	2
3	Front CaseAssy	00000200043	1
4	Air Louver 1	10512737	3
5	Helicoid Tongue	26112513	1
6	Air Louver 2	10512724	0
7	Fan Motor	15012136	1
8	Stepping Motor	1521240212	1
9	Crank	73012005	1
10	Rubber Plug(WaterTray)	76712012	1
11	Electric Expand ValveFitting	4304413216	1
12	Cross Flow Fan	10352057	1
13	Electric Box Assy	100002061356	1
14	Display Board	30565281	1
15	Terminal Board	4201026805	1
16	Main Board	300002061506	1
17	Wall Mounting Frame	01252229	1
18	Filter Sub-Assy	030209060001	1
19	Electronic Expansion Valve	07334466	1
20	Strainer A	0721002201	1
21	Sealing Cap(PressureWarning)	2611219202	1
22	Evaporator Assy	011001060225	1
23	Drainage Hose	05230014	1
24	O-Gasket of Cross FanBearing	76512203	1
25	Fan Bearing	7651221001	1
26	Ring of Bearing	26152025	1
27	Left Axile Bush	10512037	1
28	Temperature Sensor	390000454	1
29	Temperature Sensor	39000076G	1
30	Temperature Sensor	390002072	1
31	Axile Bush	10542036	1
32	Remote Controller	30510589	1
33	Power Cord	4002046417	1

Above data is subject to change without notice,pls reference the SP in global service website.

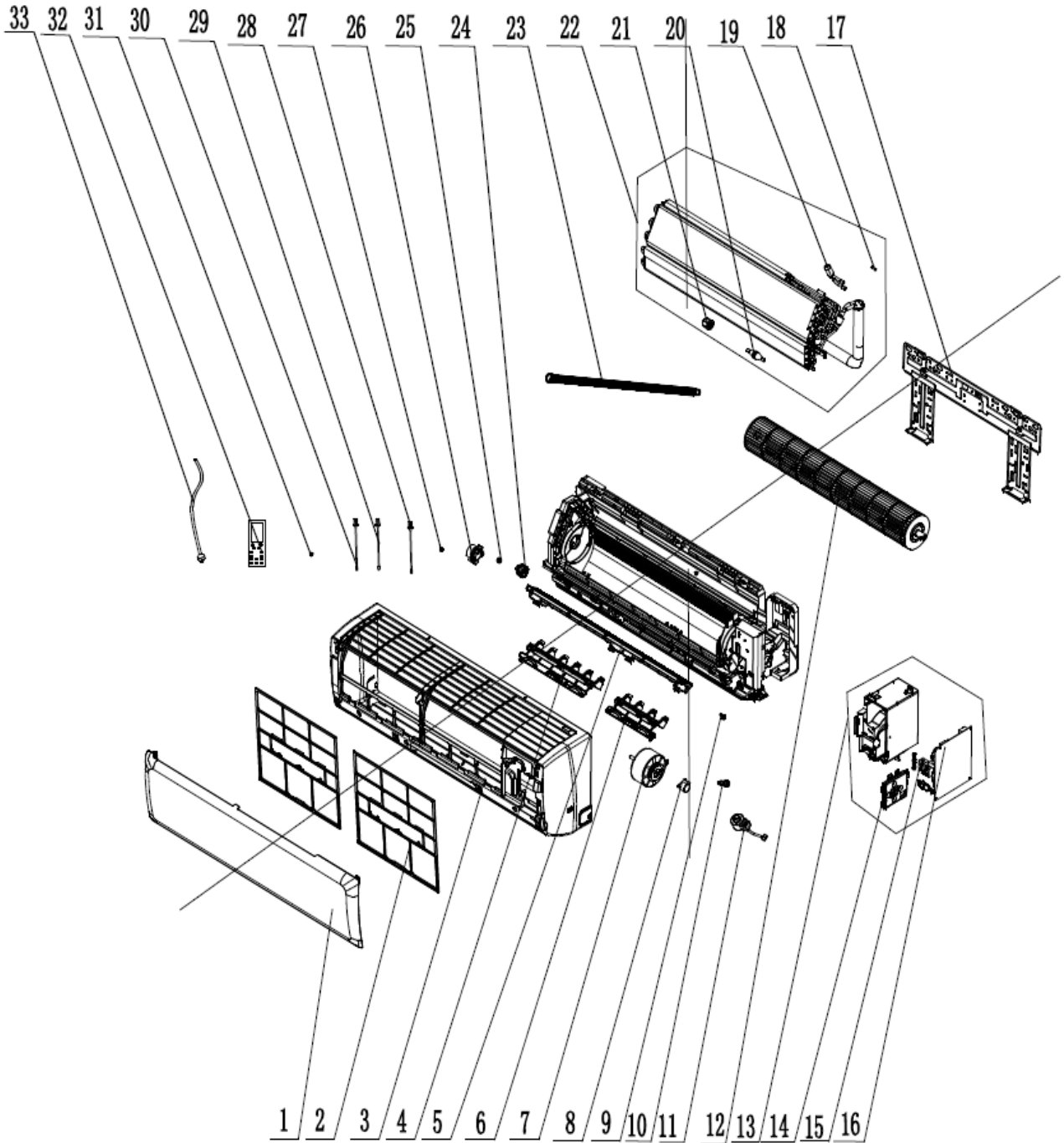
Exploded View of GMV-ND56G/B4B-T、GMV-ND63G/B4B-T、GMV-ND71G/B4B-T:



No.	Name of part	For the following unit	
		Unit	Product Code
		GMV-ND56G/B4B-T	CM100N2810
		GMV-ND63G/B4B-T	CM100N2820
		GMV-ND71G/B4B-T	CM100N2830
	Part code	Quantity	
1	Front Panel	20000300029T	1
2	Filter Sub-Assy	1101200703	2
3	Front CaseAssy	00000200043	1
4	Air Louver 1	10512737	3
5	Helicoid Tongue	26112513	1
6	Air Louver 2	10512724	0
7	Fan Motor	15012136	1
8	Stepping Motor	1521240212	1
9	Crank	73012005	1
10	Rubber Plug(WaterTray)	76712012	1
11	Electric Expand ValveFitting	4304413216	1
12	Cross Flow Fan	10352057	1
13	Electric Box Assy	100002061356	1
14	Display Board	30565260	1
15	Terminal Board	4201026805	1
16	Main Board	300002060244	1
17	Wall Mounting Frame	01252229	1
18	Filter Sub-Assy	030209060001	1
19	Electronic Expansion Valve	07334466	1
20	Strainer A	0721002201	1
21	Sealing Cap(PressureWarning)	2611219202	1
22	Evaporator Assy	011001060225	1
23	Drainage Hose	05230014	1
24	O-Gasket of Cross FanBearing	76512203	1
25	Fan Bearing	7651221001	1
26	Ring of Bearing	26152025	1
27	Left Axile Bush	10512037	1
28	Temperature Sensor	390000454	1
29	Temperature Sensor	39000076G	1
30	Temperature Sensor	390002072	1
31	Axile Bush	10542036	1
32	Remote Controller	30510589	1
33	Power Cord	4002046417	1

Above data is subject to change without notice,pls reference the SP in global service website.

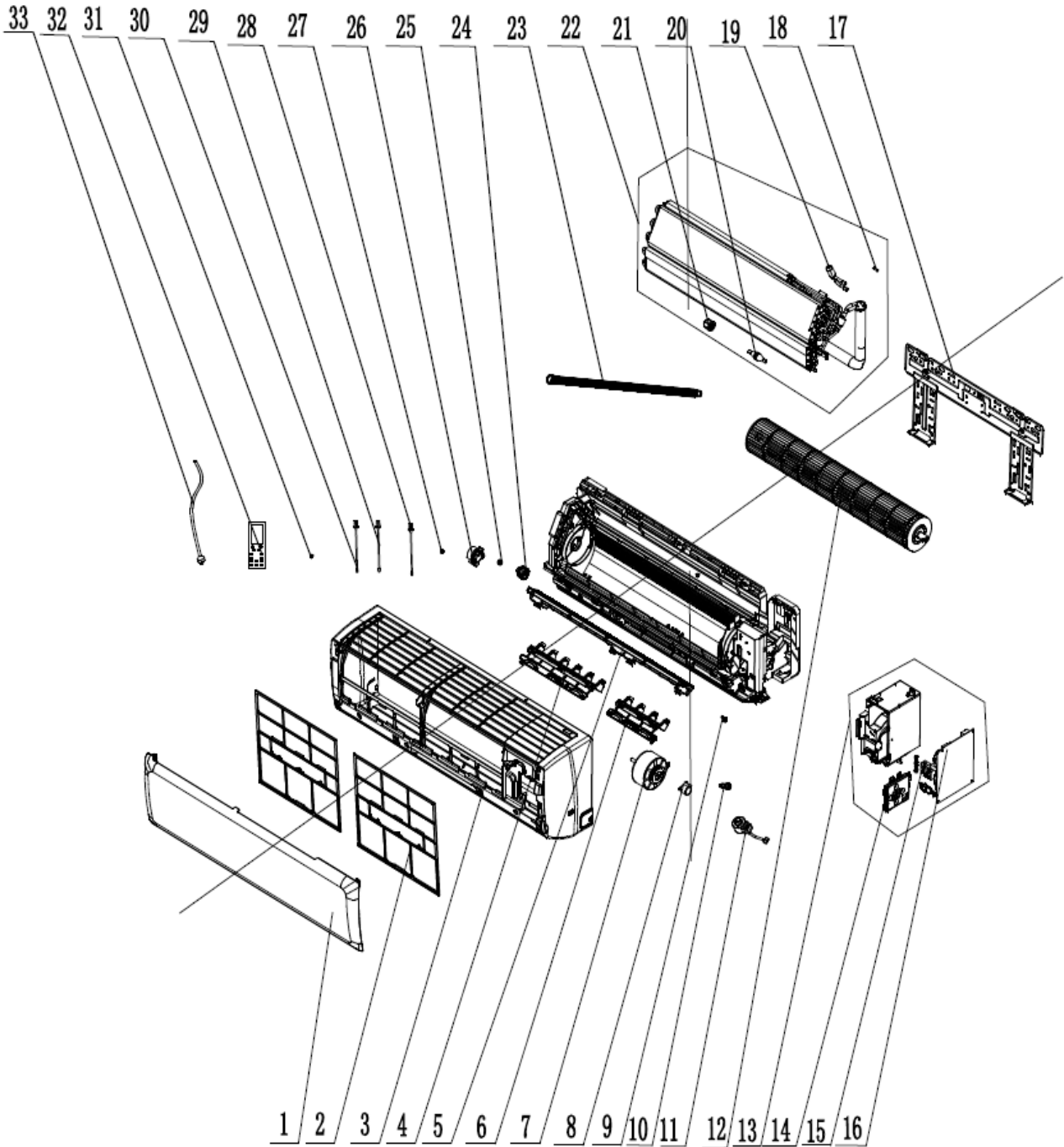
Exploded View of GMV-ND56G/C4B-T、GMV-ND63G/C4B-T、GMV-ND71G/C4B-T:



No.	Name of part	For the following unit	
		Unit	Product Code
		GMV-ND56G/C4B-T	CM100N3170
		GMV-ND63G/C4B-T	CM100N3180
		GMV-ND71G/C4B-T	CM100N3190
		Part code	Quantity
1	Front Panel	20000300099S	1
2	Filter Sub-Assy	1101200703	2
3	Front CaseAssy	00000200043	1
4	Air Louver 1	10512737	3
5	Helicoid Tongue	26112513	1
6	Air Louver 2	10512724	0
7	Fan Motor	15012136	1
8	Stepping Motor	1521240212	1
9	Crank	73012005	1
10	Rubber Plug(WaterTray)	76712012	1
11	Electric Expand ValveFitting	4304413216	1
12	Cross Flow Fan	10352057	1
13	Electric Box Assy	100002061356	1
14	Display Board	30565260	1
15	Terminal Board	4201026805	1
16	Main Board	300002060244	1
17	Wall Mounting Frame	01252229	1
18	Filter Sub-Assy	030209060001	1
19	Electronic Expansion Valve	07334466	1
20	Strainer A	0721002201	1
21	Sealing Cap(PressureWarning)	2611219202	1
22	Evaporator Assy	011001060225	1
23	Drainage Hose	05230014	1
24	O-Gasket of Cross FanBearing	76512203	1
25	Fan Bearing	7651221001	1
26	Ring of Bearing	26152025	1
27	Left Axile Bush	10512037	1
28	Temperature Sensor	390000454	1
29	Temperature Sensor	39000076G	1
30	Temperature Sensor	390002072	1
31	Axile Bush	10542036	1
32	Remote Controller	30510589	1
33	Power Cord	4002046417	1

Above data is subject to change without notice,pls reference the SP in global service website.

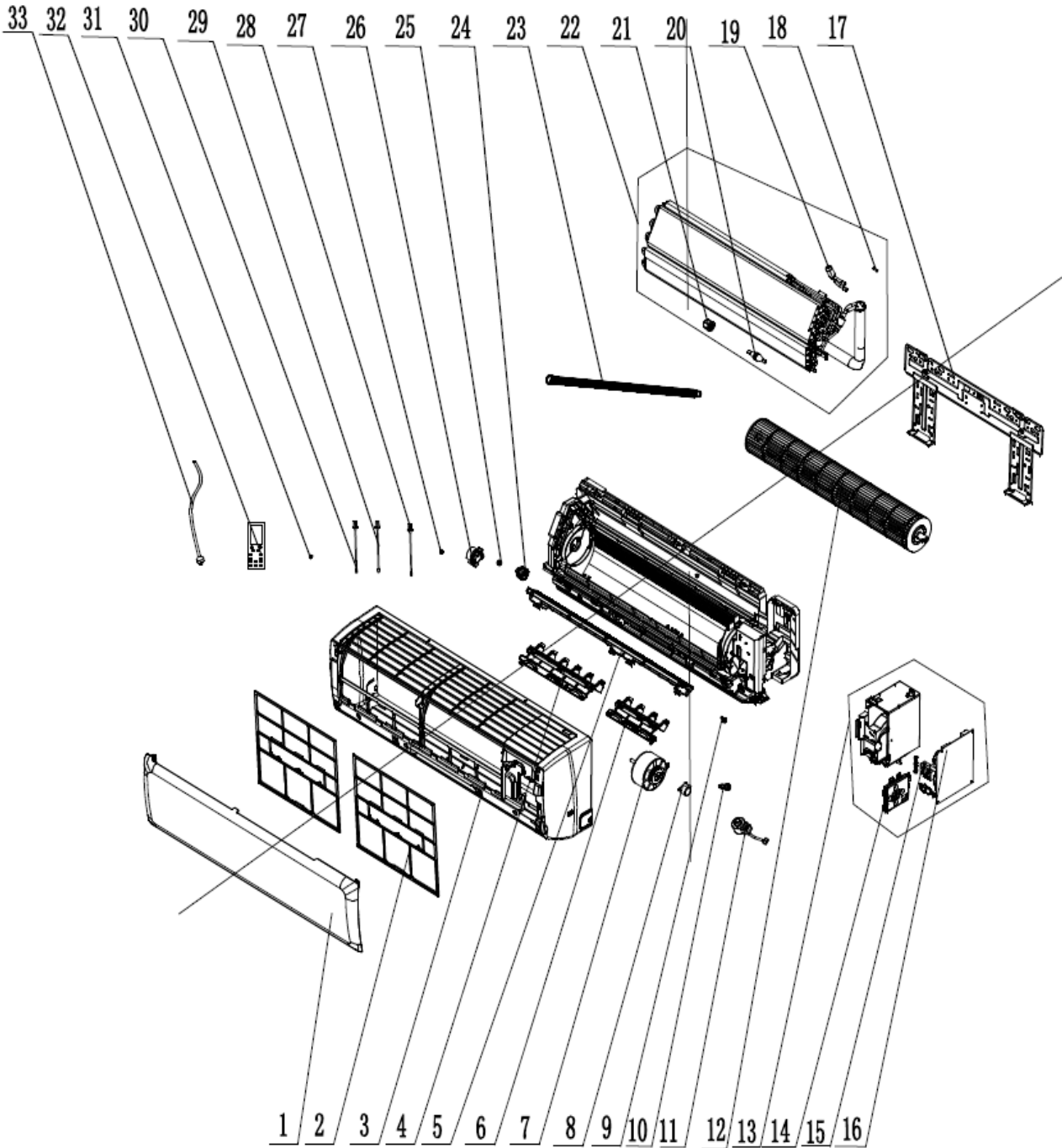
Exploded View of GMV-ND56G/C2B-T、GMV-ND63G/C2B-T、GMV-ND71G/C2B-T:



No.	Name of part	For the following unit	
		Unit	Product Code
		GMV-ND56G/C2B-T	CM100N3110
		GMV-ND63G/C2B-T	CM100N3100
		GMV-ND71G/C2B-T	CM100N3090
	Part code	Quantity	
1	Front Panel	20000300071S	1
2	Filter Sub-Assy	1101200703	2
3	Front CaseAssy	00000200043	1
4	Air Louver 1	10512737	3
5	Helicoid Tongue	26112513	1
6	Air Louver 2	10512724	0
7	Fan Motor	15012136	1
8	Stepping Motor	1521240212	1
9	Crank	73012005	1
10	Rubber Plug(WaterTray)	76712012	1
11	Electric Expand ValveFitting	4304413216	1
12	Cross Flow Fan	10352057	1
13	Electric Box Assy	100002061356	1
14	Display Board	30565281	1
15	Terminal Board	4201026805	1
16	Main Board	300002060244	1
17	Wall Mounting Frame	01252229	1
18	Filter Sub-Assy	030209060001	1
19	Electronic Expansion Valve	07334466	1
20	Strainer A	0721002201	1
21	Sealing Cap(PressureWarning)	2611219202	1
22	Evaporator Assy	011001060225	1
23	Drainage Hose	05230014	1
24	O-Gasket of Cross FanBearing	76512203	1
25	Fan Bearing	7651221001	1
26	Ring of Bearing	26152025	1
27	Left Axile Bush	10512037	1
28	Temperature Sensor	390000454	1
29	Temperature Sensor	39000076G	1
30	Temperature Sensor	390002072	1
31	Axile Bush	10542036	1
32	Remote Controller	30510589	1
33	Power Cord	4002046417	1

Above data is subject to change without notice,pls reference the SP in global service website.

Exploded View of GMV-ND56G/D2B-T、GMV-ND63G/D2B-T、GMV-ND71G/D2B-T:

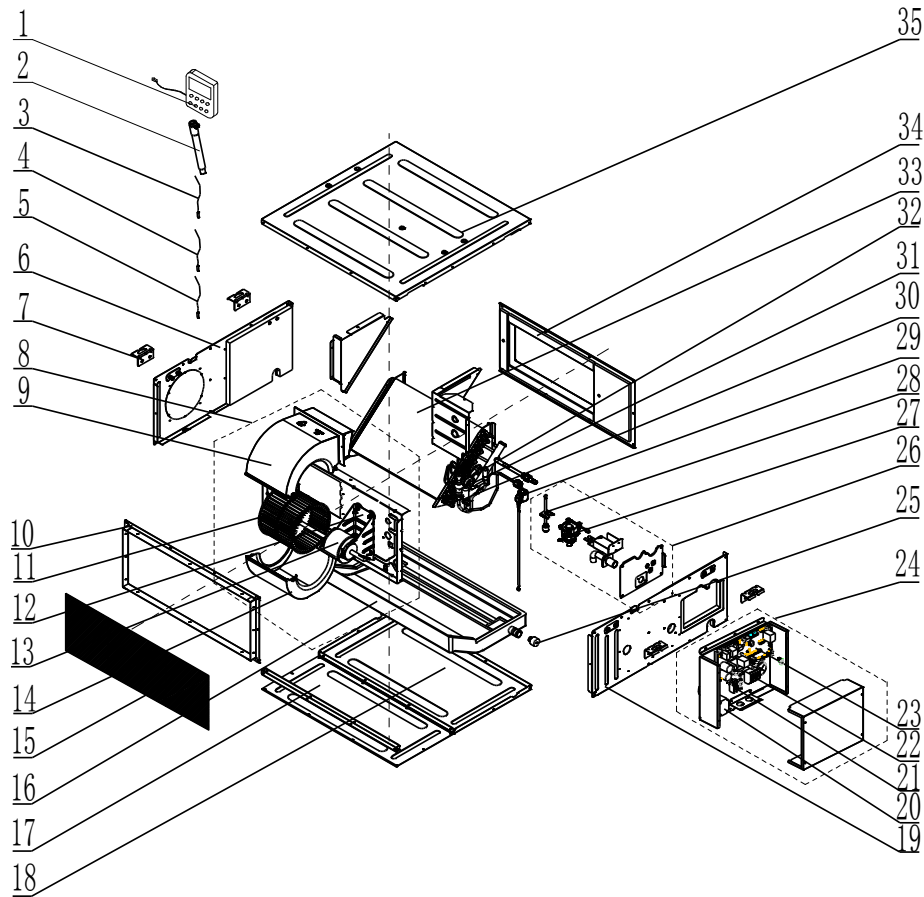


No.	Name of part	For the following unit	
		Unit	Product Code
		GMV-ND56G/D2B-T	CM100N2900
		GMV-ND63G/D2B-T	CM100N2910
		GMV-ND71G/D2B-T	CM100N2920
	Part code	Quantity	
1	Front Panel	0000030023501	1
2	Filter Sub-Assy	1101200703	2
3	Front CaseAssy	0000020017301	1
4	Air Louver 1	10512737	3
5	Helicoid Tongue	26112513	1
6	Air Louver 2	10512724	0
7	Fan Motor	15012136	1
8	Stepping Motor	1521240212	1
9	Crank	73012005	1
10	Rubber Plug(WaterTray)	76712012	1
11	Electric Expand ValveFitting	4304413216	1
12	Cross Flow Fan	10352057	1
13	Electric Box Assy	100002061356	1
14	Display Board	30565260	1
15	Terminal Board	4201026805	1
16	Main Board	300002060244	1
17	Wall Mounting Frame	01252229	1
18	Filter Sub-Assy	030209060001	1
19	Electronic Expansion Valve	07334466	1
20	Strainer A	0721002201	1
21	Sealing Cap(PressureWarning)	2611219202	1
22	Evaporator Assy	011001060225	1
23	Drainage Hose	05230014	1
24	O-Gasket of Cross FanBearing	76512203	1
25	Fan Bearing	7651221001	1
26	Ring of Bearing	26152025	1
27	Left Axile Bush	10512037	1
28	Temperature Sensor	390000454	1
29	Temperature Sensor	39000076G	1
30	Temperature Sensor	390002072	1
31	Axile Bush	10542036	1
32	Remote Controller	30510589	1
33	Power Cord	4002046417	1

Above data is subject to change without notice,pls reference the SP in global service website.

5.14 Super High Static Pressure Duct Type Indoor Unit

Exploded View of GMV-ND22PHS/B-T, GMV-ND25PHS/B-T, GMV-ND28PHS/B-T, GMV-ND32PHS/B-T, GMV-ND36PHS/B-T:

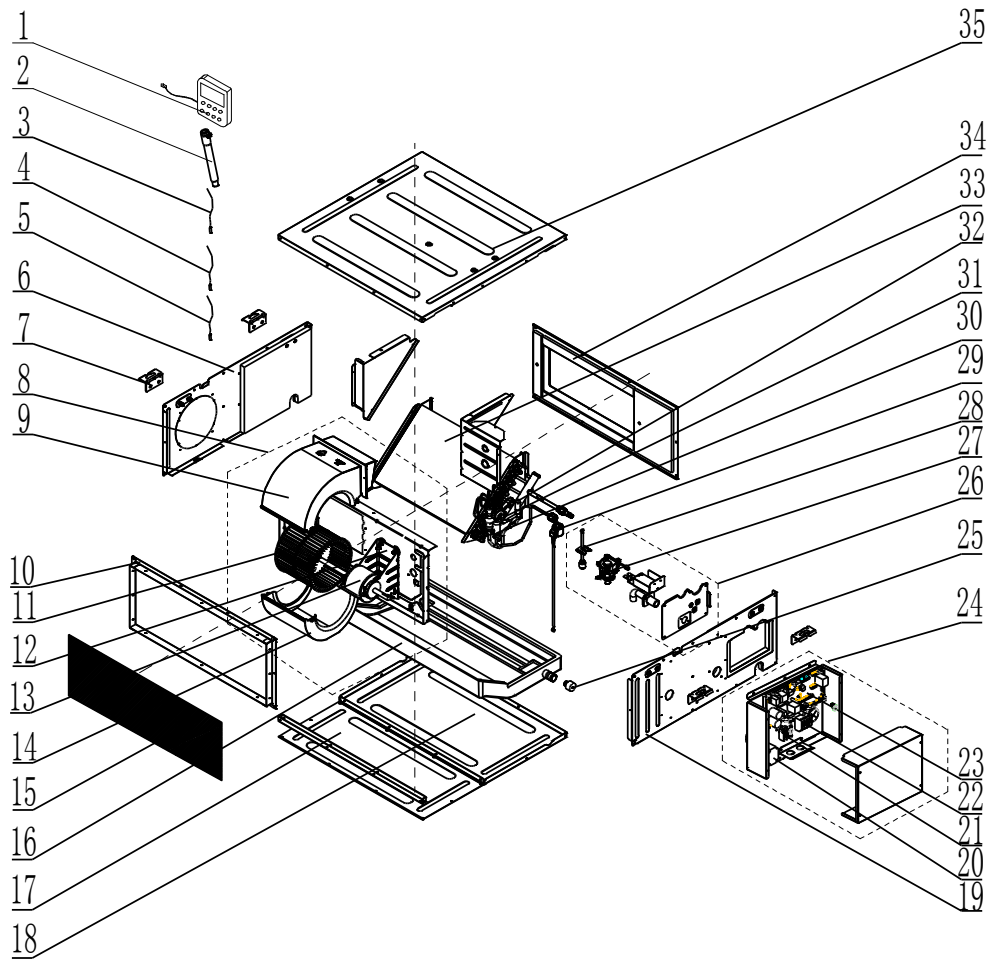


No.	Name of part	For the following unit	
		Unit	Product Code
		GMV-ND22PHS/B-T	CM810N0300
		GMV-ND25PHS/B-T	CM810N0310
		GMV-ND28PHS/B-T	CM810N0320
		GMV-ND32PHS/B-T	CM810N0330
		GMV-ND36PHS/B-T	CM810N0340
		Part code	Quantity
1	Display Board	30296000040	1
2	Drain Hose Sub-Assy	05232050	1
3	Temperature Sensor	390000454	1
4	Temperature Sensor	390000592	1
5	Temperature Sensor	3900005910	1
6	Right Side Plate Assy	01315200148	1
7	Hook	02112466	4
8	Centrifugal Fan Assy	15404100074	1
9	Propeller Housing(Upper)	26905200078	1
10	Centrifugal Fan	10455200003	1
11	Supporter(Fan motor)	0180520027201	1
12	Brushless DC Motor	1570520000501	1
13	Propeller Housing(Lower)	26905200079	1
14	Foam Sub-assy	12505200038	1

No.	Name of part	For the following unit	
		Unit	Product Code
		GMV-ND22PHS/B-T	CM810N0300
		GMV-ND25PHS/B-T	CM810N0310
		GMV-ND28PHS/B-T	CM810N0320
		GMV-ND32PHS/B-T	CM810N0330
		GMV-ND36PHS/B-T	CM810N0340
		Part code	Quantity
15	Filter Sub-Assy	111001000055	1
16	Return Air Frame Sub-Assy	017026000004	1
17	Cover Of Air-In	01265200182	1
18	Bottom Cover Plate	01265200181	1
19	Left Side Plate Assy	01315200147	1
20	Inductance	43128000014	1
21	Terminal Board	4201115402	1
22	Terminal Board	4201800002601	1
23	Main Board	30226000089	1
24	Electric Box Assy	100002000985	1
25	Choke Plug Of Drain Pipe	76815214	2
26	Seal Plate Assy	01495200079	1
27	Water Pump	43138000058	1
28	Water Level Switch	45020216	1
29	Electric Expand Valve Fitting	4304413215	1
30	Strainer	07415210	1
31	Strainer	0741410000601	1
32	Electronic Expansion Valve	07334466	1
33	Evaporator Assy	011001000132(22/28) 01024100206(32/36)	1
34	Air Outlet Frame Assy	01374100070	1
35	Top Cover Board Assy	01264100081	1

Above data is subject to change without notice, pls refer the SP in global service website.

Exploded View of GMV-ND40PHS/B-T, GMV-ND45PHS/B-T, GMV-ND50PHS/B-T:

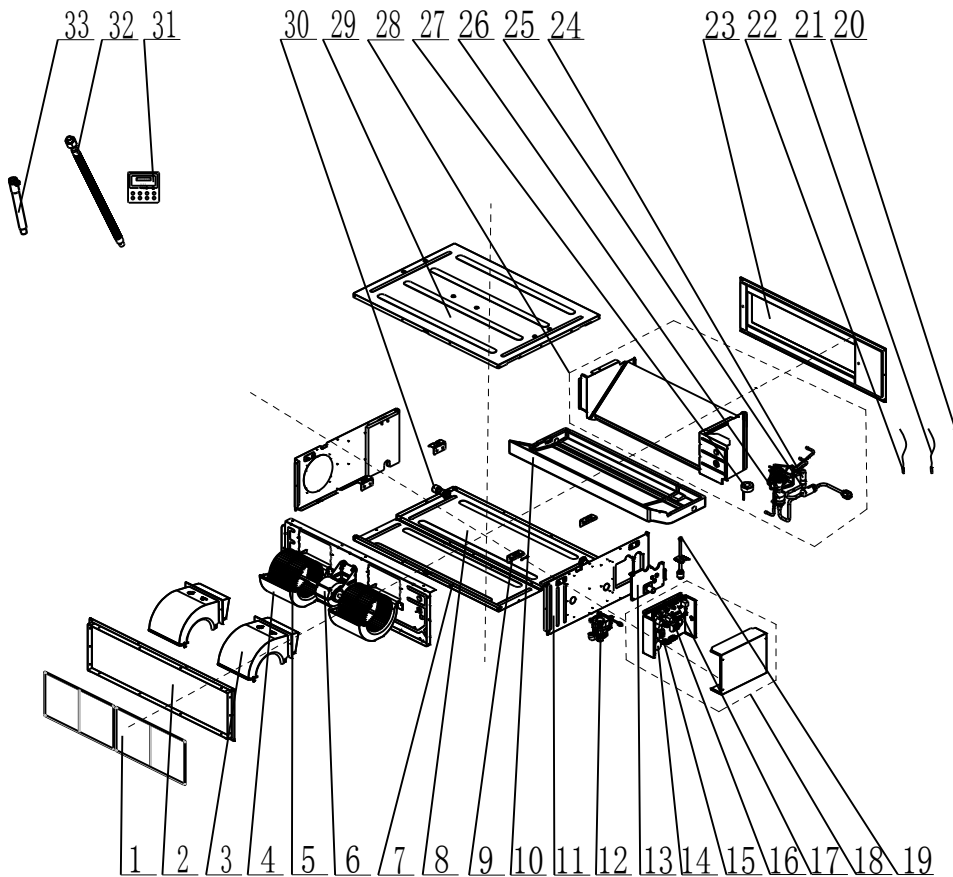


No.	Name of part	For the following unit	
		Unit	Product Code
		GMV-ND40PHS/B-T	CM810N0350
		GMV-ND45PHS/B-T	CM810N0360
		GMV-ND50PHS/B-T	CM810N0370
		Part code	Quantity
1	Display Board	30296000040	1
2	Drain Hose Sub-Assy	05232050	1
3	Temperature Sensor	390000454	1
4	Temperature Sensor	390000592	1
5	Temperature Sensor	3900005910	1
6	Right Side Plate Assy	01315200148	1
7	Hook	02112466	4
8	Centrifugal Fan Assy	15404100074	1
9	Propeller Housing(Upper)	26905200078	1
10	Return Air Frame Sub-Assy	017026000004	1
11	Centrifugal Fan	10455200003	1
12	Supporter(Fan motor)	0180520027201	1
13	Brushless DC Motor	1570520000501	1
14	Propeller Housing(Lower)	26905200079	1
15	Filter Sub-Assy	111001000055	1
16	Foam Sub-assy	12505200038	1
17	Cover Of Air-In	01265200182	1

No.	Name of part	For the following unit	
		Unit	Product Code
		GMV-ND40PHS/B-T	CM810N0350
		GMV-ND45PHS/B-T	CM810N0360
		GMV-ND50PHS/B-T	CM810N0370
	Part code	Quantity	
18	Bottom Cover Plate	01265200181	1
19	Left Side Plate Assy	01315200147	1
20	Inductance	43128000014	1
21	Terminal Board	4201115402	1
22	Terminal Board	4201800002601	1
23	Main Board	30226000089	1
24	Electric Box Assy	100002000985	1
25	Choke Plug Of Drain Pipe	76815214	2
26	Seal Plate Assy	01495200079	1
27	Water Pump	43138000058	1
28	Water Level Switch	45020216	1
29	Electric Expand Valve Fitting	4304413215	1
30	Strainer	07415210	1
31	Strainer	0741410000601	1
32	Electronic Expansion Valve	07334466	1
33	Evaporator Assy	011001000296 01024100171	1
34	Air Outlet Frame Assy	01374100070	1
35	Top Cover Board Assy	01264100081	1

Above data is subject to change without notice, pls refer the SP in global service website.

Exploded View of GMV-ND56PHS/B-T, GMV-ND63PHS/B-T, GMV-ND71PHS/B-T, GMV-ND80PHS/B-T:

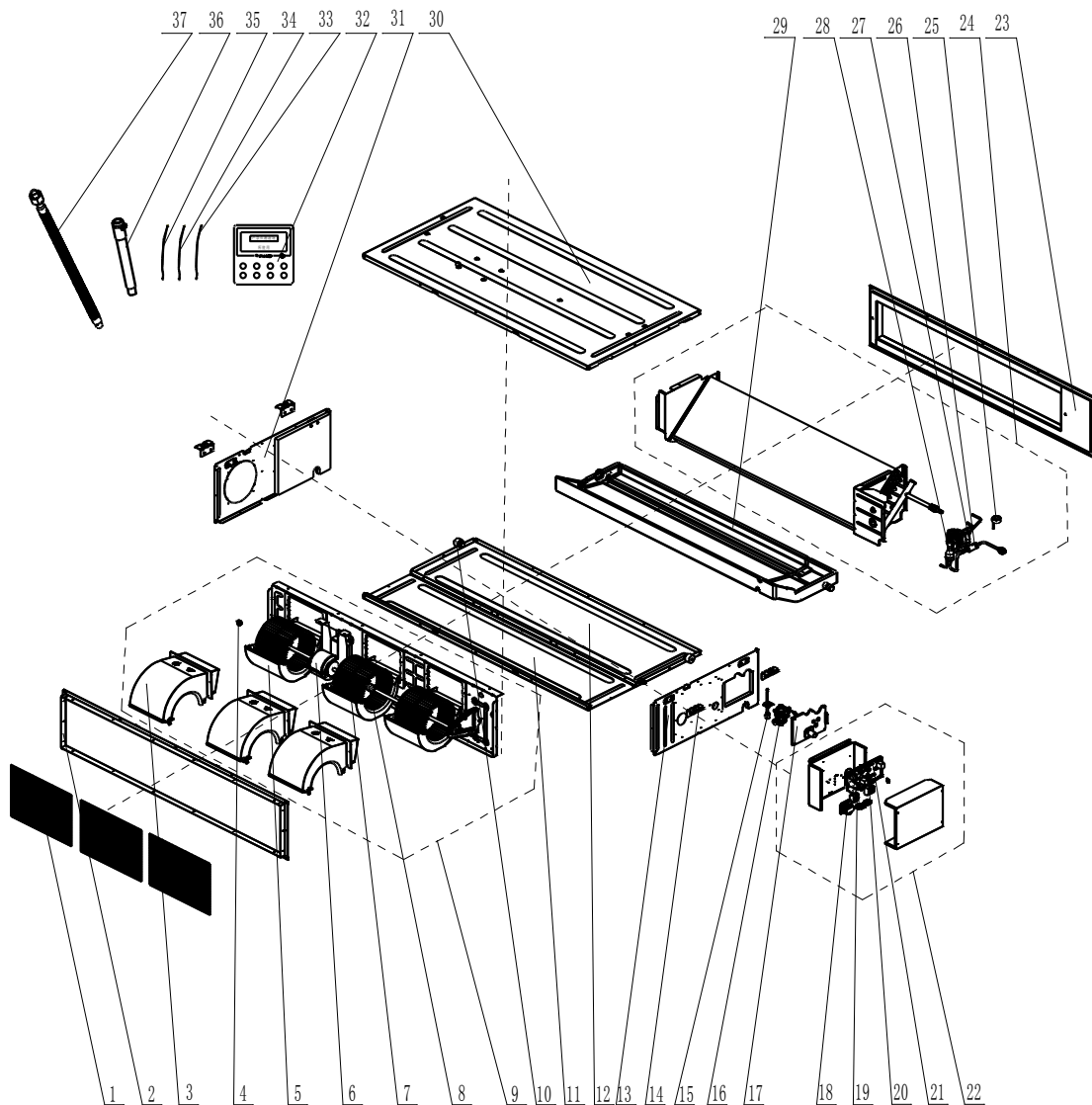


No.	Name of part	For the following unit	
		Unit	Product Code
		GMV-ND56PHS/B-T	CM810N0380
		GMV-ND63PHS/B-T	CM810N0390
		GMV-ND71PHS/B-T	CM810N0400
		GMV-ND80PHS/B-T	CM810N0410
		Part code	Quantity
1	Filter Sub-Assy	111001000045	2
2	Return Air Frame Sub-Assy	017026000002	1
3	Propeller Housing(Upper)	26905200078	2
4	Propeller Housing(Lower)	26905200079	2
5	Centrifugal Fan	10455200003	2
6	Brushless DC Motor	15705200016	1
7	Cover Of Air-In	01265200132	1
8	Bottom Cover Plate	01265200131	1
9	Hook	02112466	4
10	Foam Sub-assy	12505200025	1
11	Left Side Plate Assy	01315200147	1
12	Water Pump	43138000058	1
13	Seal plate Assy	01495200079	1
14	Inductance	43128000014	1
15	Terminal Board	4201115402	1
16	Terminal Board	4201800002601	1
17	Main Board	30226000089	1

No.	Name of part	For the following unit	
		Unit	Product Code
		GMV-ND56PHS/B-T	CM810N0380
		GMV-ND63PHS/B-T	CM810N0390
		GMV-ND71PHS/B-T	CM810N0400
		GMV-ND80PHS/B-T	CM810N0410
		Part code	Quantity
18	Electric Box Assy	100002000985	1
19	Water Level Switch	45020216	1
20	Temperature Sensor	3900005910	1
21	Temperature Sensor	390000592	1
22	Temperature Sensor	390000454	1
23	Air Outlet Frame Assy	01375200026	1
24	Electronic Expansion Valve	07334466	1
25	Strainer	0741410000601	1
26	Strainer	07415210	1
27	Electric Expand Valve Fitting	4304413215	1
28	Evaporator Assy	01024100173	1
29	Top Cover Board Assy	01265200130	1
30	Choke Plug of Drain Pipe	76815214	2
31	Display Board	30296000040	1
32	Corrugated Pipe	05015408	1
33	Drain Hose Sub-Assy	05232050	1

Above data is subject to change without notice, pls refer the SP in global service website.

Exploded View of GMV-ND90PHS/B-T, GMV-ND100PHS/B-T, GMV-ND112PHS/B-T, GMV-ND125PHS/B-T:

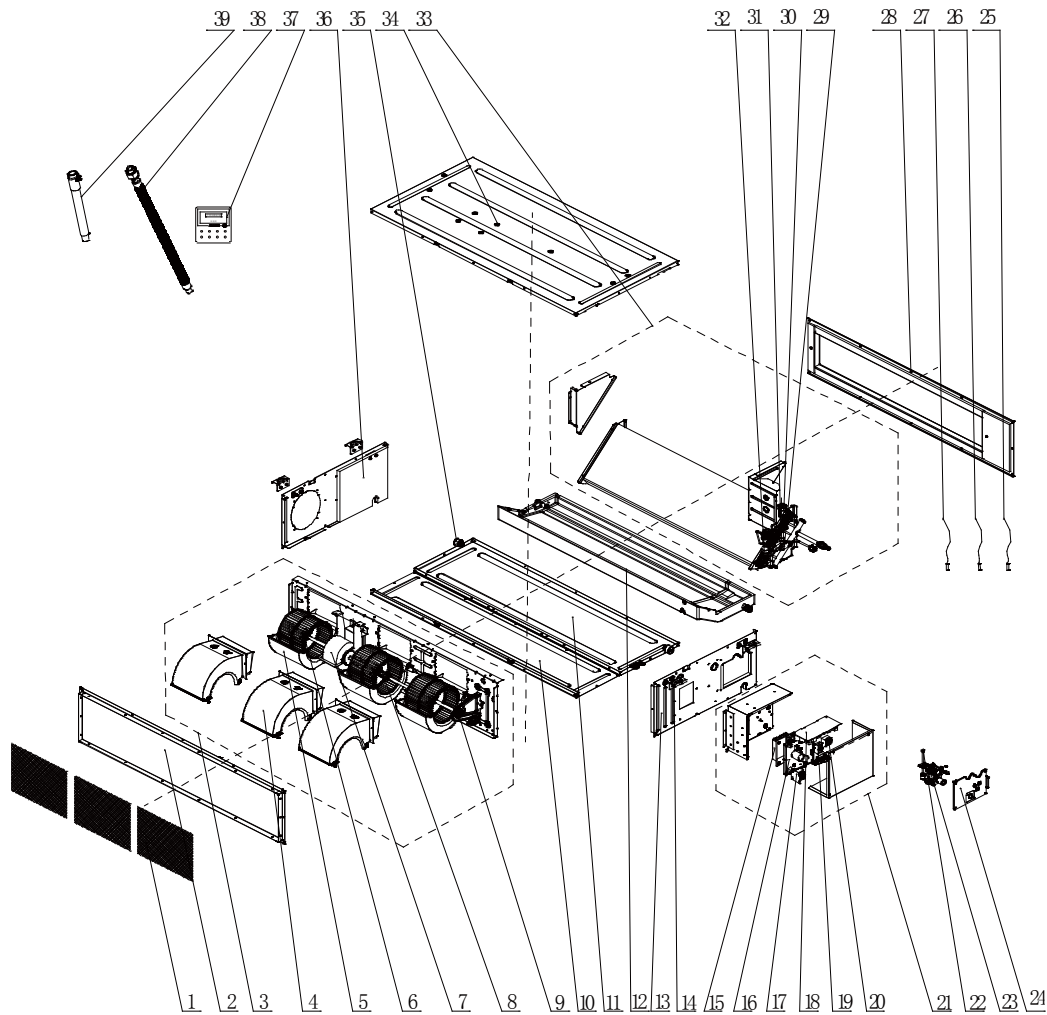


No.	Name of part	For the following unit	
		Unit	Product Code
		GMV-ND90PHS/B-T	CM810N0420
		GMV-ND100PHS/B-T	CM810N0430
		GMV-ND112PHS/B-T	CM810N0440
		GMV-ND125PHS/B-T	CM810N0450
		Part code	Quantity
1	Filter Sub-Assy	111001000052	3
2	Return Air Frame Sub-Assy	017026000003	1
3	Propeller Housing(Upper)	26905200078	3
4	Fan Bearing	76512210	1
5	Propeller Housing(Lower)	26905200079	3
6	Brushless DC Motor	1570940000601	1
7	Centrifugal Fan	10455200003	3
8	Joint Slack	73018731	1
9	Centrifugal Fan Assy	000052000028	1
10	Choke Plug Of Drain Pipe	76815214	2
11	Cover Plate(Air Return)	01265200123	1

No.	Name of part	For the following unit	
		Unit	Product Code
		GMV-ND90PHS/B-T	CM810N0420
		GMV-ND100PHS/B-T	CM810N0430
		GMV-ND112PHS/B-T	CM810N0440
		GMV-ND125PHS/B-T	CM810N0450
		Part code	Quantity
12	Bottom Cover Plate	01265200125	1
13	Left Side Plate Assy	01315200147	1
14	Hook	02112466	4
15	Water Level Switch	45020216	1
16	Water Pump	43138000058	1
17	Seal Plate	01495200078	1
18	Reactor	43138000047	1
19	Terminal board	4201115402	1
20	Terminal Board	4201800002601	1
21	Main Board	300002000009	1
22	Electric Box Assy	100002000984	1
23	Air Outlet Frame Assy	01375200023	1
24	Evaporator Assy	011001000070	1
25	Electric Expand Valve Fitting	4304413215	1
26	Strainer	0741410000601	1
27	Electronic Expansion Valve	07334468	1
28	Strainer	07415210	1
29	Foam Sub-Assy	12505200021	1
30	Top Cover Board Assy	01264100105	1
31	Right Side Plate Assy	01315200148	1
32	Display Board	30296000040	1
33	Temperature Sensor	3900005910	1
34	Temperature Sensor	390000592	1
35	Temperature Sensor	390000454	1
36	Drain Hose Sub-Assy	05232050	1
37	Corrugated Pipe	05015408	1

Above data is subject to change without notice, pls refer the SP in global service website.

Exploded View of GMV-ND140PHS/B-T, GMV-ND160PHS/B-T

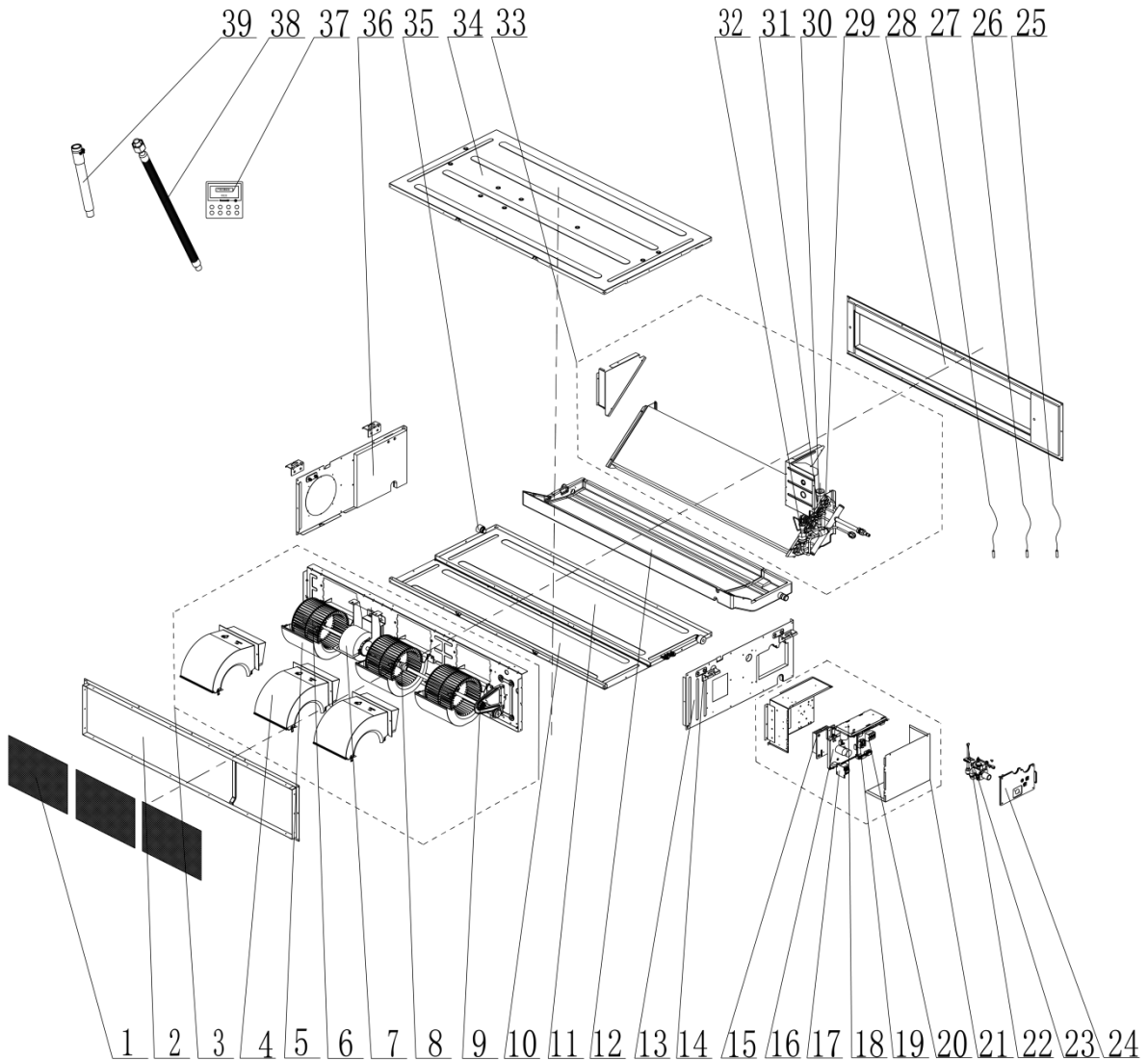


No.	Name of part	For the following unit	
		Unit	Product Code
		GMV-ND140PHS/B-T	CM810N0460
		GMV-ND160PHS/B-T	CM810N0840
		Part code	Quantity
1	Filter Sub-Assy	111001000052	3
2	Return Air Frame Sub-Assy	017026000003	1
3	Centrifugal Fan Assy	000052000029	1
4	Propeller Housing(Upper)	269052000078	3
5	Propeller Housing(Lower)	269052000079	3
6	Centrifugal Fan	104552000003	3
7	Brushless DC Motor	1570940000801	1
8	Joint Slack	73018731	1
9	Fan Bearing	7651221001	1
10	Cover Plate(Air return)	01265200123	1
11	Bottom Cover Plate	01265200125	1
12	Foam Sub-Assy(Water Tray)	125052000021	1
13	Left Side Plate Assy	01314100118	1
14	Hook	02112466	4
15	Radiator	49018000068	1
16	Main Board	30221000033	1
17	Reactor	43138000047	1

No.	Name of part	For the following unit	
		Unit	Product Code
		GMV-ND140PHS/B-T	CM810N0460
		GMV-ND160PHS/B-T	CM810N0840
		Part code	Quantity
18	Main Board	30226000092	1
19	Terminal board	42000100000101	1
20	Terminal Board	4201800002601	1
21	Electric Box Assy	100002001967	1
22	Water Level Switch	45020216	1
23	Water Pump	43138000058	1
24	Seal Plate	01495200078	1
25	Temperature Sensor	3900005910	1
26	Temperature Sensor	390000592	1
27	Temperature Sensor	390000454	1
28	Air Outlet Frame Assy	01375200023	1
29	Strainer	0741410000601	1
30	Electric Expand Valve Fitting	4304413215	1
31	Electronic Expansion Valve	07334468	1
32	Strainer	07415210	1
33	Evaporator Assy	011001000070 011001000238	1
34	Top Cover Board Assy	01264100105	1
35	Choke Plug Of Drain Pipe	76815214	2
36	Right Side Plate Assy	01315200148	1
37	Display Board	30296000040	1
38	Corrugated Pipe	05015408(140) 035030000005(160)	1
39	Drain Hose Sub-Assy	05232050	1

Above data is subject to change without notice, pls reference the SP in global service website.

Exploded View of GMV-ND180PHS/B-T

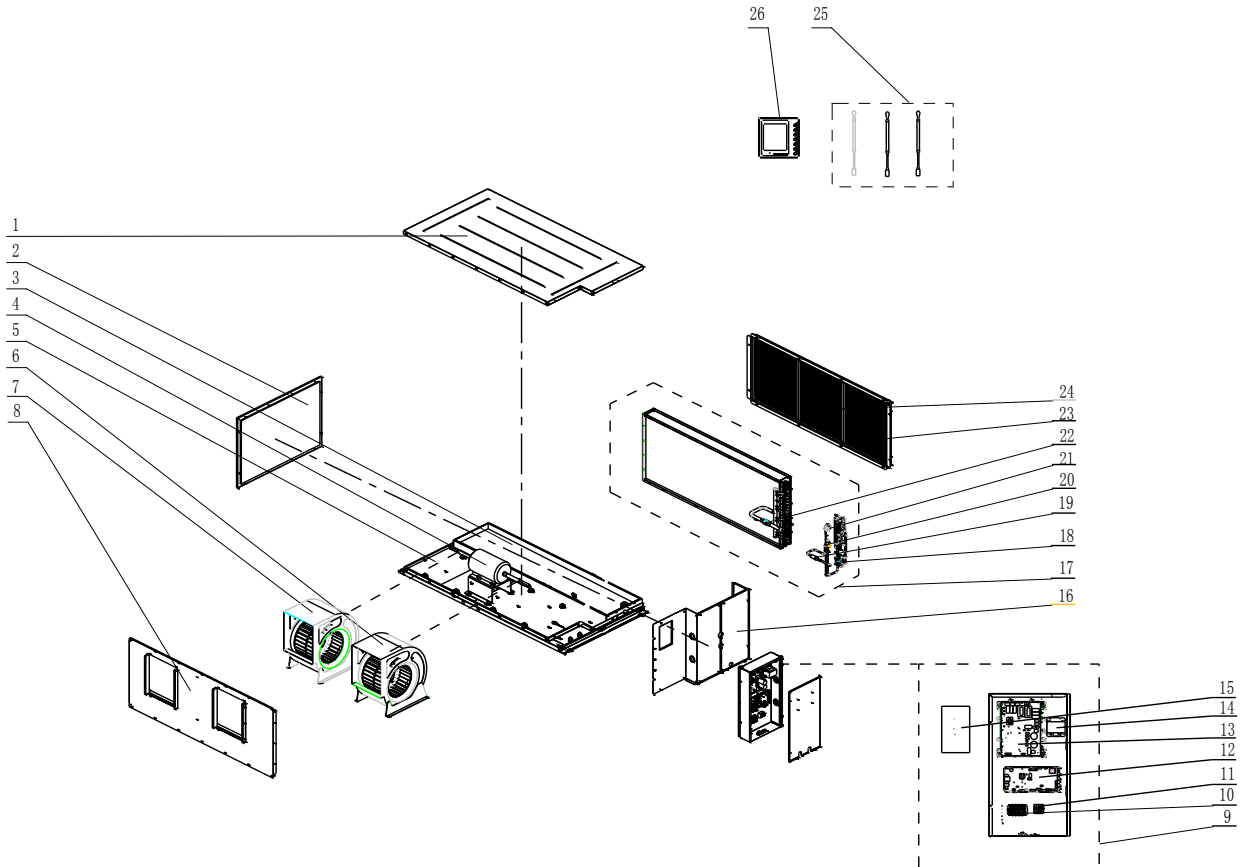


No.	Name of part	For the following unit	
		Unit	Product Code
		GMV-ND180PHS/B-T	CM810N2240
		Part code	Quantity
1	Filter Sub-Assy	111001000052	3
2	Return Air Frame Sub-Assy	017026000003	1
3	Centrifugal fan assy	000052000029	1
4	Propeller Housing(Upper)	26905200078	3
5	Propeller Housing(Lower)	26905200079	3
6	Centrifugal Fan	10455200003	3
7	Brushless DC Motor	1570940000801	1
8	Joint Slack	73018731	1
9	Fan Bearing	7651221001	1
10	Cover Plate(Air return)	01265200123	1
11	Bottom Cover Plate	01265200125	1
12	Foam Sub-assy	12505200021	1
13	Left Side Plate Assy	01314100118	1
14	Hook	02112466	4
15	Radiator	49018000068	1

No.	Name of part	For the following unit	
		Unit	Product Code
		GMV-ND180PHS/B-T	CM810N2240
		Part code	Quantity
16	Main Board	30221000033	1
17	Reactor	43138000047	1
18	Main Board	300002061641	1
19	Terminal Board	42000100000101	1
20	Terminal Board	42200006000401	1
21	Electric Box Assy	100002070712	1
22	Water Level Switch	4502021603	1
23	Water Pump	43138000058	1
24	Seal plate	01495200078	1
25	Temperature Sensor	3900005910	1
26	Temperature Sensor	390000592	1
27	Temperature Sensor	390000454	1
28	Air Outlet Frame Assy	01375200023	1
29	Strainer	0741410000601	1
30	Electric Expand Valve Fitting	4304413253	1
31	Electronic Expansion Valve	07334468	1
32	Strainer	07415210	1
33	Evaporator Assy	011001000237	1
34	Top Cover Board Assy	01264100105	1
35	Choke Plug of Drain Pipe	76815214	2
36	Right Side Plate Assy	01315200148	1
37	Display Board	30296000040	1
38	Corrugated Pipe	035030000005	1
39	Drain Hose Sub-Assy	05232050	1

Above data is subject to change without notice, pls reference the SP in global service website.

Exploded View of GMV-ND400PH/AR-X

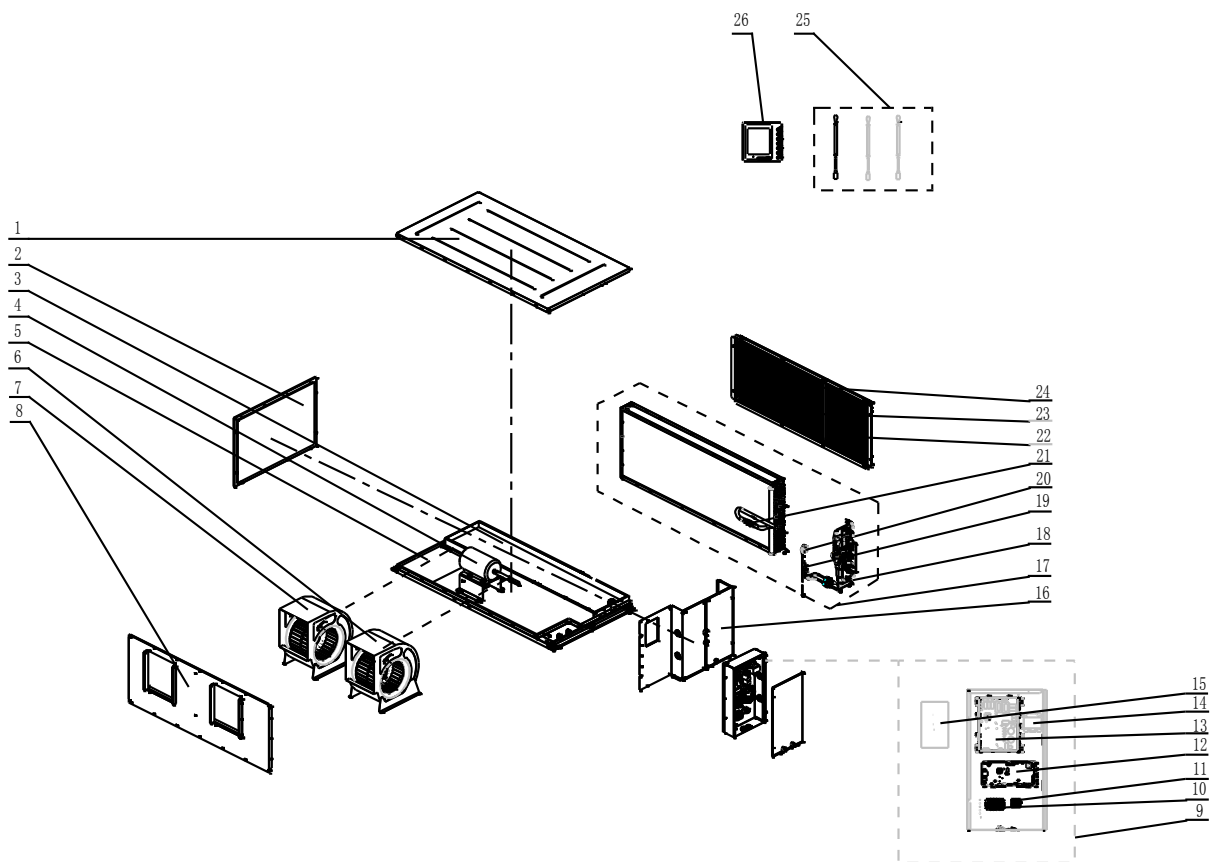


No.	Name of part	For the following unit	
		Unit	Product Code
		GMV-ND400PH/AR-X	CM810N1510
		Part code	Quantity
1	Top Cover Board Sub-assy	017011000039	1
2	Left Side Plate Assy	000080000020	1
3	Water Collecting Tray Assy	00707000000201	1
4	Brushless DC Motor	150104000015	1
5	Hange Frame Assy	000249000001	1
6	Motor for Centrifugal Fan	103004000048	1
7	Motor for Centrifugal Fan	10300400004801	1
8	Air Outlet Panel Sub-assy	0000400000029	1
9	Electric Box Assy	100002004015	1
10	Terminal Board	42000100000401	1
11	Terminal Board	4201800002601	1
12	Main Board	302260000092	1
13	Main Board	300002000380	1
14	Reactor	43130189	1
15	Radiator	490180000013	1
16	Right Side Plate Assy	000081000031	1
17	Evaporator Assy	0110010000625	1
18	Strainer	07415210	1
19	Bidirection Strainer	07220016	1
20	Electronic Expansion Valve	43044100190	1

No.	Name of part	For the following unit	
		Unit	Product Code
		GMV-ND400PH/AR-X	CM810N1510
		Part code	Quantity
21	Electric Expand Valve Fitting	4304413271	1
22	Filter	07219056	1
23	Filter Sub-assy 1	11129078	2
24	Filter Sub-assy 2	11129079	1
25	Sens or Sub-assy	39008000103G	1
26	Display Board	30296000040	1

Above data is subject to change without notice,pls reference the SP in global service website.

Exploded View of GMV-ND450PH/AR-X:

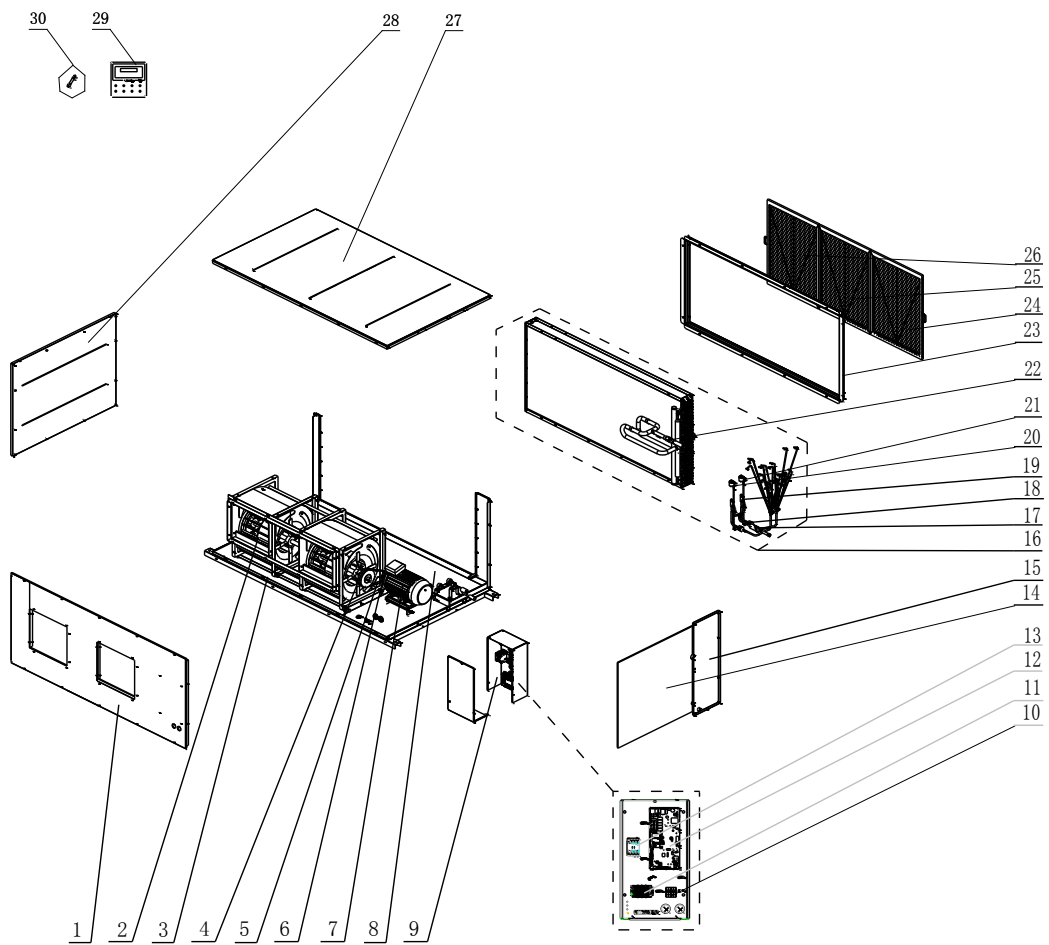


No.	Name of part	For the following unit	
		Unit	Product Code
		GMV-ND450PH/AR-X	CM810N1520
		Part code	Quantity
1	Top Cover Sub-Assy	01265321	1
2	Side panel sub-assy 1	01545305	1
3	Water Collecting Tray Assy	007070000003	1
4	Brushless DC Motor	150104000015	1
5	Base Frame Assy	000043000101	1
6	Motor for Centrifugal Fan	103004000098	1
7	Motor for Centrifugal Fan	10300400009801	1
8	Air Outlet Panel Sub-assy	017097000007P	1
9	Electric Box Assy	100002004015	1

No.	Name of part	For the following unit	
		Unit	Product Code
		GMV-ND450PH/AR-X	CM810N1520
		Part code	Quantity
10	Terminal Board	42000100000401	1
11	Terminal Board	4201800002601	1
12	Main Board	30226000092	1
13	Main Board	300002000380	1
14	Reactor	43130189	1
15	Radiator	49018000013	1
16	Side Plate	017110000069	1
17	Evaporator Assy	011001060033	1
18	Strainer	07415210	1
19	Electronic Expansion Valve	4304413252	1
20	Electric Expand Valve Fitting	43044100190	1
21	Filter	07219056	1
22	Filter Sub-assy 1	11128903	1
23	Filter Sub-assy 2	11128904	2
24	Filter Sub-assy 3	11128905	1
25	Sensor Sub-assy	39008000103G	1
26	Display Board	30296000040	1

Above data is subject to change without notice,pls reference the SP in global service website.

Exploded View of GMV-N560PH/AR-M:

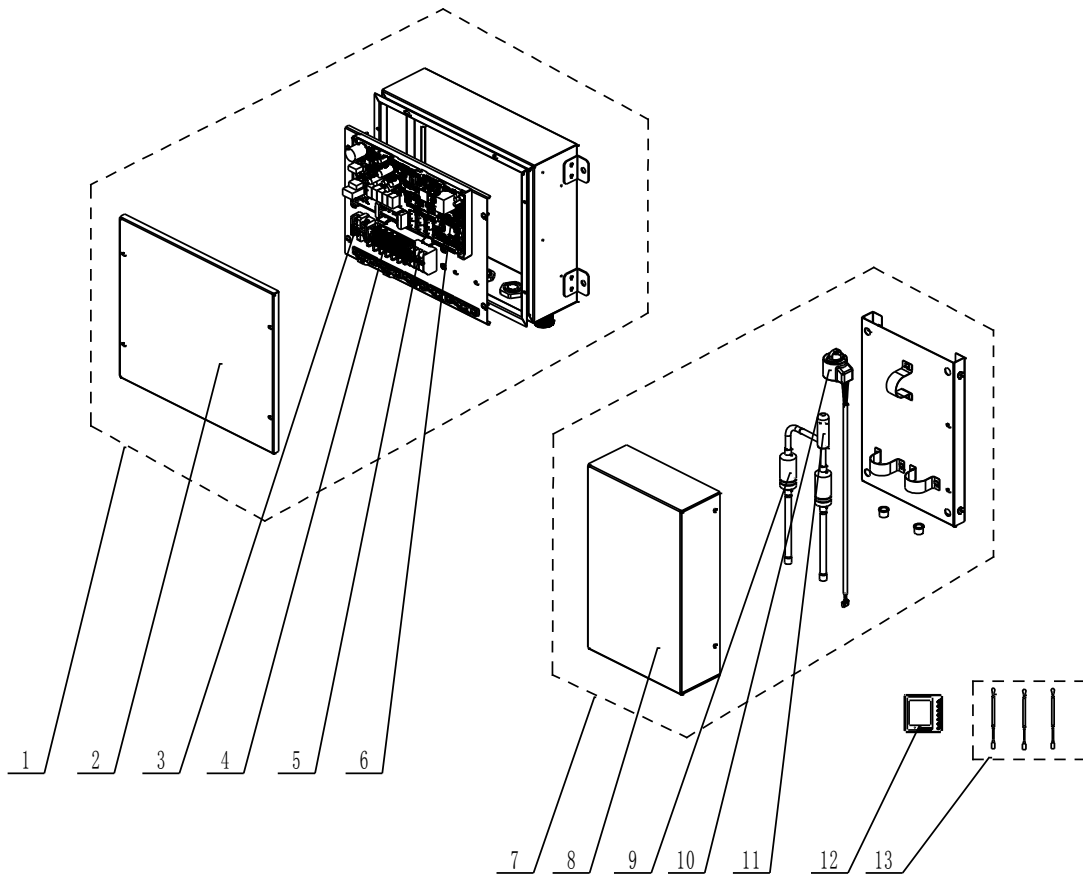


No.	Name of part	For the following unit	
		Unit	Product Code
		GMV-N560PH/AR-M	CM810N1610
		Part code	Quantity
1	Air Outlet Panel Assy	01545317	1
2	Blower	15019241	1
3	Base Frame Assy	000043060052	1
4	Belt Wheel	10548156	1
5	Belt	76318356	2
6	Belt Wheel	10548150	1
7	Fan Motor	150101000061	1
8	Water Collecting Tray Assy	007070060001	1
9	Electric Box Assy	100002060437	1
10	Terminal Board	4201800002601	1
11	Terminal Board	42010052	1
12	Main Board	30226232	1
13	A C Contactor	44010287	1
14	Front Panel Sub-assy	209004060007	1
15	Front Panel Sub-assy	209004060006	1
16	Evaporator Assy	011001060073	1
17	Gas Tube Filter	072190511	1
18	Strainer	07415210	2
19	Electronic Expansion Valve	43044100173	1
20	Electric Expand Valve Fitting	4304413219	1
21	Electric Expand Valve Fitting	4304413220	1
22	Filter	07219056	1
23	Return Air Frame Sub-Assy	01375212P	2
24	Filter Sub-assy 1	11129080	1
25	Filter Sub-assy 2	11129081	1
26	Filter Sub-assy 3	11129082	1
27	Top Cover Sub-assy	01265321	1
28	Side Panel Sub-assy 1	01545311	1
29	Display Board	30296000040	1
30	Sensor Sub-assy	390002060003	1

Above data is subject to change without notice,pls reference the SP in global service website.

5.15 AHU-KIT Type

Exploded View of GMV-N36U/A-T, GMV-N71U/A-T, GMV-N140U/A-T, GMV-N280U/A-T;



GMV-N36U/A-T:

No.	Model	GMV-N36U/A-T	Qty.
	Product Code	CN750N0040	
	Part Name	Part Code	
1	Electric Box Assy	01394100511	1
2	Electric Box Cover	01424100135P	1
3	Terminal Board	42000100000101	1
4	Terminal Board	422000000025	1
5	Terminal Board	4201800002601	1
6	Main Board	30226000081	1
7	Electronic Expansion Valve Assy	030174000026	1
8	Cover Plate	01264100061P	1
9	Strainer	0741410000601	2
10	Electric Expand Valve Fitting	4304413239	1
11	Electronic Expansion Valve	07334463	1
12	Display Board	30296000040	1
13	Sensor Sub-assy	39008000130G	1

GMV-N71U/A-T:

No.	Model	GMV-N71U/A-T	Qty.
	Product Code	CN750N0050	
	Part Name	Part Code	
1	Electric Box Assy	01394100511	1
2	Electric Box Cover	01424100135P	1

No.	Model	GMV-N71U/A-T	Qty.
	Product Code	CN750N0050	
	Part Name	Part Code	
3	Terminal Board	42000100000101	1
4	Terminal Board	4220000000025	1
5	Terminal Board	4201800002601	1
6	Main Board	30226000081	1
7	Electronic Expansion Valve Assy	030026000085	1
8	Cover Plate	01264100061P	1
9	Strainer	0741410000601	2
10	Electric Expand Valve Fitting	4304413239	1
11	Electronic Expansion Valve	07334466	1
12	Display Board	30296000040	1
13	Sensor Sub-assy	39008000130G	1

GMV-N140U/A-T:

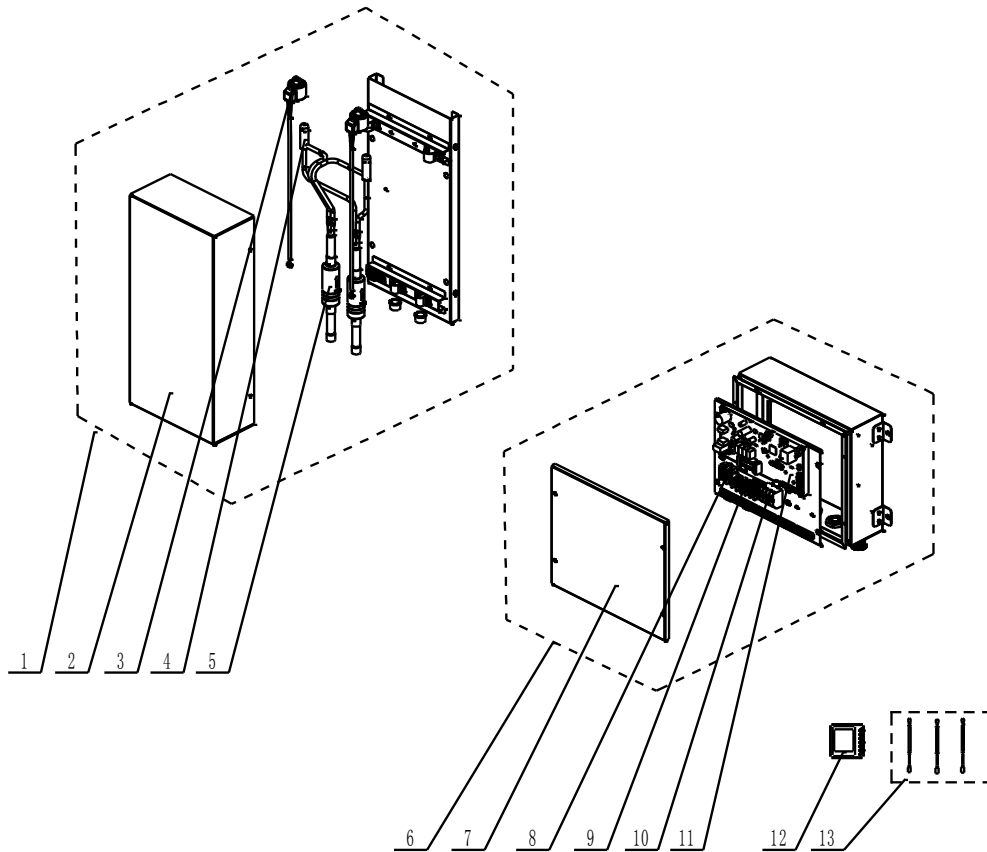
No.	Model	GMV-N140U/A-T	Qty.
	Product Code	CN750N0030	
	Part Name	Part Code	
1	Electric Box Assy	01394100511	1
2	Electric Box Cover	01424100135P	1
3	Terminal Board	42000100000101	1
4	Terminal Board	4220000000025	1
5	Terminal Board	4201800002601	1
6	Main Board	30226000081	1
7	Electronic Expansion Valve Assy	43044100225	1
8	Cover Plate	01264100061P	1
9	Strainer	0741410000601	2
10	Electric Expand Valve Fitting	4304413239	1
11	Electronic Expansion Valve	07334412	1
12	Display Board	30296000040	1
13	Sensor Sub-assy	39008000130G	1

GMV-N280U/A-T:

No.	Model	GMV-N280U/A-T	Qty.
	Product Code	CN750N0020	
	Part Name	Part Code	
1	Electric Box Assy	01394100511	1
2	Electric Box Cover	01424100135P	1
3	Terminal Board	42000100000101	1
4	Terminal Board	4220000000025	1
5	Terminal Board	4201800002601	1
6	Main Board	30226000081	1
7	Electronic Expansion Valve Assy	43044100214	1
8	Cover Plate	01264100061P	1
9	Strainer	0741410000601	2
10	Electric Expand Valve Fitting	4304413239	1
11	Electronic Expansion Valve	07331139	1
12	Display Board	30296000040	1
13	Sensor Sub-assy	39008000130G	1

Above data is subject to change without notice, pls refer the SP in global service website.

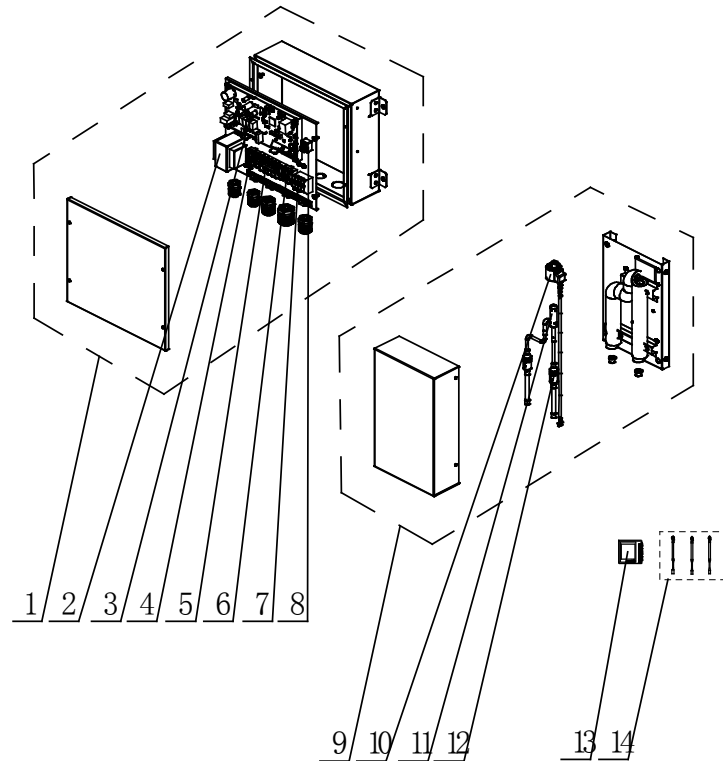
Exploded View of GMV-N560U/A-T



No.	Model	GMV-N5600U/A-T	Qty.
	Product Code	CN750N0010	
	Part Name	Part Code	
1	Electronic Expansion Valve Assy	43044100220	1
2	Cover Plate	01264100063P	1
3	Electric Expand Valve Fitting	4304413239	2
4	Electronic Expansion Valve	07331139	2
5	Bidirection Strainer	0721004401	2
6	Electric Box Assy	01394100511	1
7	Electric Box Cover	01424100135P	1
8	Terminal Board	42000100000101	1
9	Terminal Board	4220000000025	1
10	Terminal Board	4201800002601	1
11	Main Board	30226000081	1
12	Display Board	30296000040	1
13	Sensor Sub-Assy	39008000130G	1

Above data is subject to change without notice, pls refer the SP in global service website.

Exploded View of GMV-N36U/B-T, GMV-N71U/B-T, GMV-N140U/B-T, GMV-N280U/B-T:



GMV-N36U/B-T:

No.	Model	GMV-N36U/B-T	Qty.
	Product Code	CN750N0110	
	Part Name	Part Code	
1	Electric Box Assy	100002060732	1
2	Transformer	43110286	1
3	Main Board	30226000081	1
4	Terminal Board	42000100000101	1
5	Terminal Board	422000000025	1
6	Terminal Board	420001000001	1
7	Terminal Board	4201800002601	1
8	Terminal Board	42011147	1
9	Electronic Expansion Valve Assy	030174060015	1
10	Electric Expand Valve Fitting	4304000112	1
11	Electronic Expansion Valve	072009000006	1
12	Strainer	07415200002	2
13	Display Board	30296000040	1
14	Sensor Sub-assy	390002060021	1

GMV-N71U/B-T:

No.	Model	GMV-N71U/B-T	Qty.
	Product Code	CN750N0150	
	Part Name	Part Code	
1	Electric Box Assy	100002060732	1
2	Transformer	43110286	1
3	Main Board	30226000081	1
4	Terminal Board	42000100000101	1
5	Terminal Board	422000000025	1
6	Terminal Board	420001000001	1

No.	Model	GMV-N71U/B-T	Qty.
	Product Code	CN750N0150	
	Part Name	Part Code	
7	Terminal Board	4201800002601	1
8	Terminal Board	42011147	1
9	Electronic Expansion Valve assy	030174060014	1
10	Electric Expand Valve Fitting	4304413239	1
11	Electronic Expansion Valve	072009000001	1
12	Strainer	0741520000201	2
13	Display Board	30296000040	1
14	Sensor Sub-assy	390002060021	1

GMV-N140U/B-T:

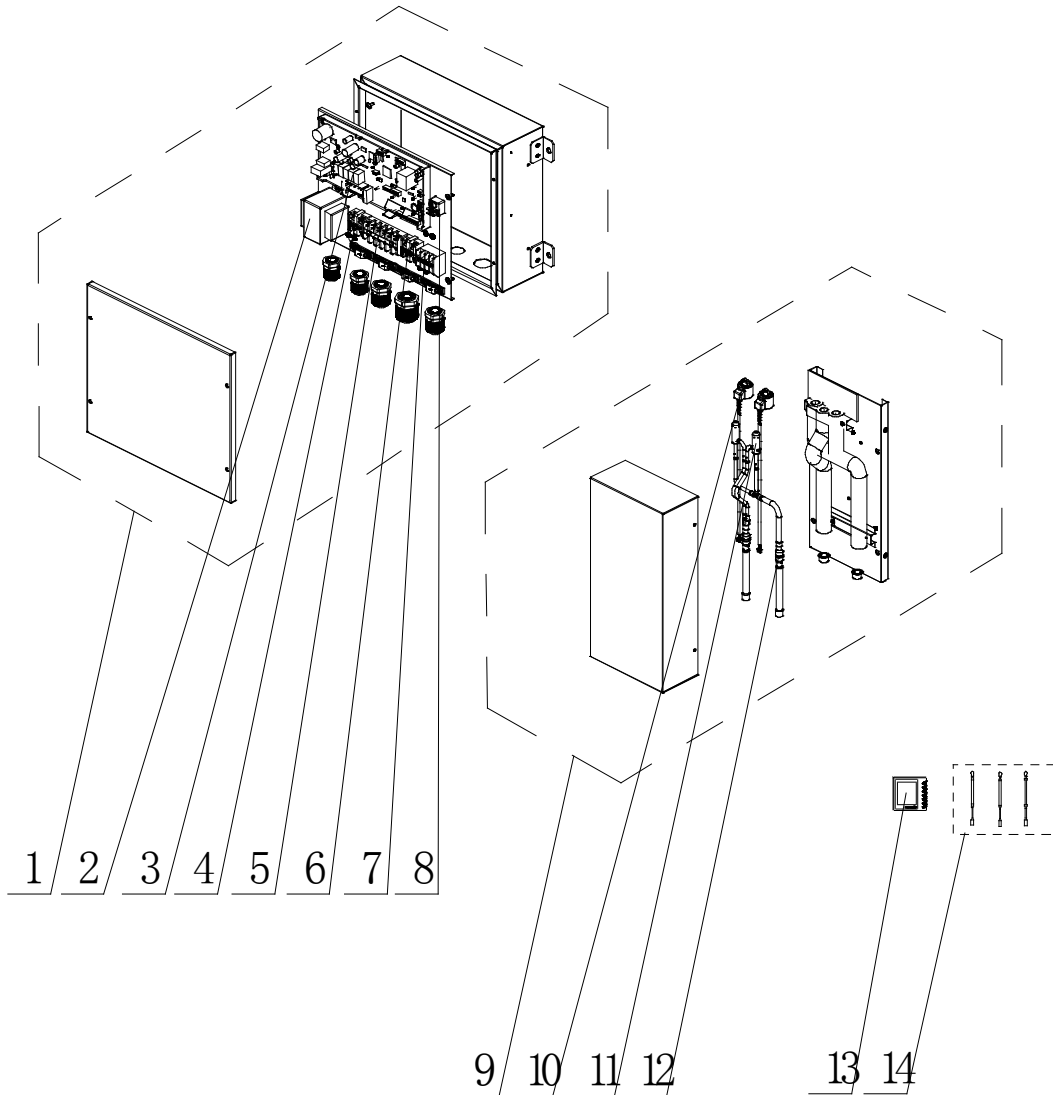
No.	Model	GMV-N140U/B-T	Qty.
	Product Code	CN750N0140	
	Part Name	Part Code	
1	Electric Box Assy	100002060732	1
2	Transformer	43110286	1
3	Main Board	30226000081	1
4	Terminal Board	42000100000101	1
5	Terminal Board	422000000025	1
6	Terminal Board	420001000001	1
7	Terminal Board	4201800002601	1
8	Terminal Board	42011147	1
9	Electronic Expansion Valve assy	030174060012	1
10	Electric Expand Valve Fitting	4304413239	1
11	Electronic Expansion Valve	43044100172	1
12	Strainer	0741520000201	2
13	Display Board	30296000040	1
14	Sensor Sub-assy	390002060021	1

GMV-N280U/B-T:

No.	Model	GMV-N280U/B-T	Qty.
	Product Code	CN750N0120	
	Part Name	Part Code	
1	Electric Box Assy	100002060732	1
2	Transformer	43110286	1
3	Main Board	30226000081	1
4	Terminal Board	42000100000101	1
5	Terminal Board	422000000025	1
6	Terminal Board	420001000001	1
7	Terminal Board	4201800002601	1
8	Terminal Board	42011147	1
9	Electronic Expansion Valve assy	030174060013	1
10	Electric Expand Valve Fitting	4304413239	1
11	Electronic Expansion Valve	43044100190	1
12	Strainer	0741520000201	2
13	Display Board	30296000040	1
14	Sensor Sub-assy	390002060021	1

Above data is subject to change without notice, pls refer the SP in global service website.

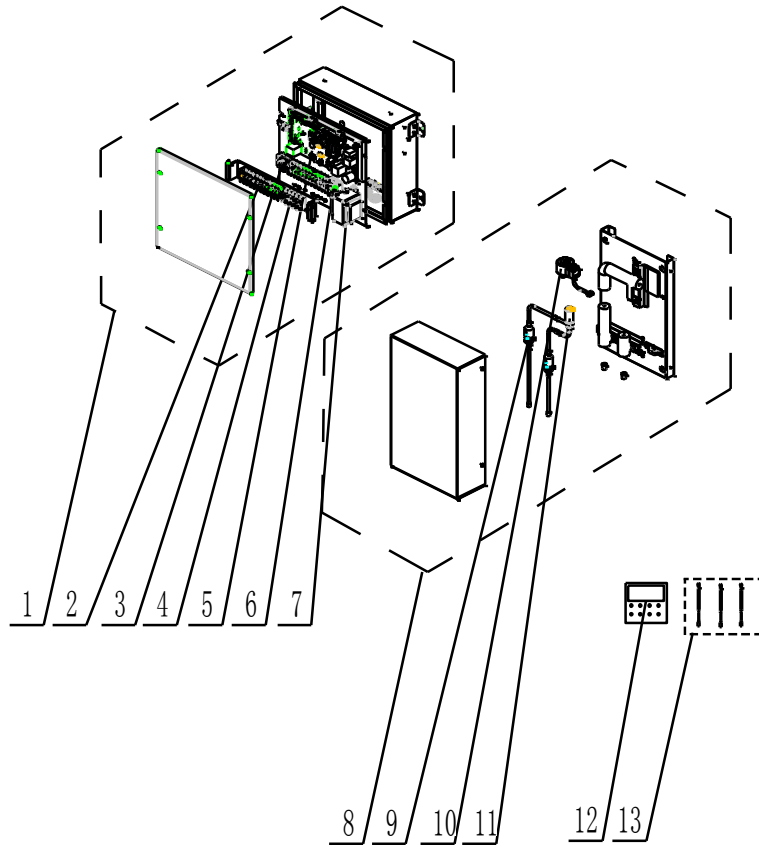
Exploded View of GMV-N560U/B-T:



No.	Model	GMV-N560U/B-T	Qty.
	Product Code	CN750N0130	
	Part Name	Part Code	
1	Electric Box Assy	100002060732	1
2	Transformer	43110286	1
3	Main Board	30226000081	1
4	Terminal Board	42000100000101	1
5	Terminal Board	4220000000025	1
6	Terminal Board	4200010000001	1
7	Terminal Board	4201800002601	1
8	Terminal Board	42011147	1
9	Electronic Expansion Valve assy	030174060011	1
10	Electric Expand Valve Fitting	4304413239	2
11	Electronic Expansion Valve	43044100190	2
12	Strainer	0721212101	2
13	Display Board	30296000040	1
14	Sensor Sub-assy	390002060021	1

Above data is subject to change without notice, pls refer the SP in global service website.

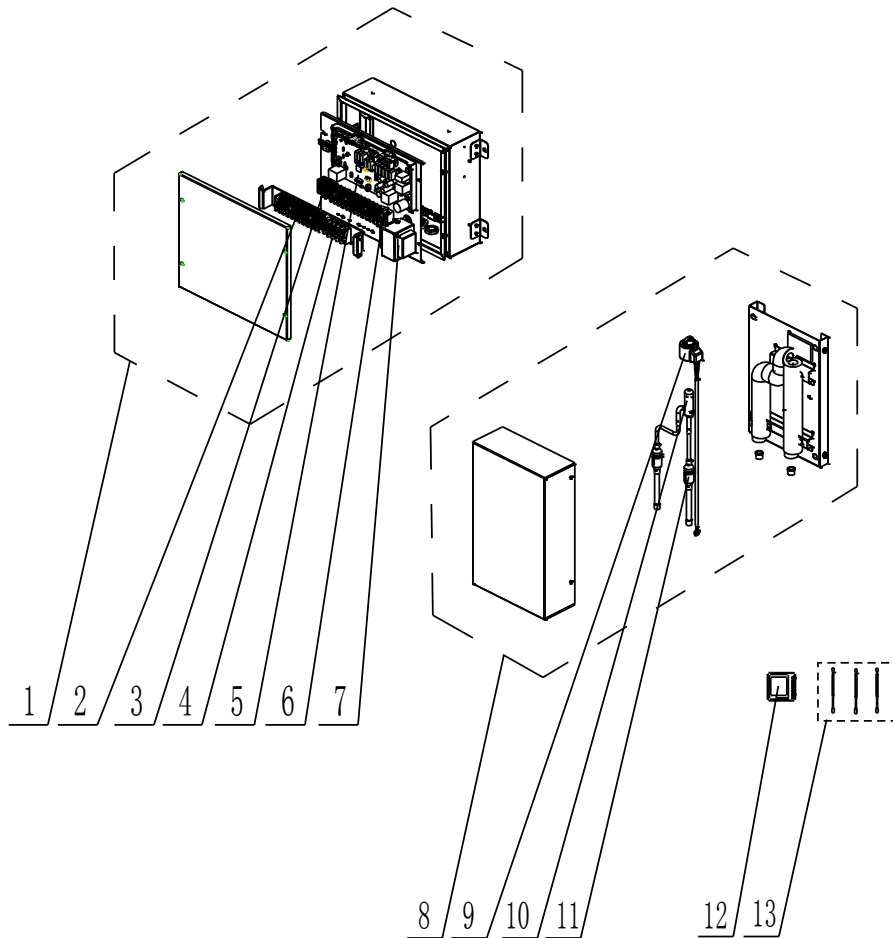
Exploded View of GMV-N36U/C-T:



No.	Model	GMV-N36U/C-T	Qty.
	Product Code	CN750N0190	
	Part Name	Part Code	
1	Electric Box Assy	100002066409	1
2	Terminal Board	422000000009	2
3	Terminal Board	42200006000401	1
4	Terminal Board	42200006000901	1
5	Main Board	300002060941	1
6	Terminal Board	42000100000101	1
7	Transformer	450002060013	1
8	Electronic Expansion Valve Assy	030174060015	1
9	Strainer	07415200002	2
10	Electric Expand Valve Fitting	4304000112	1
11	Electric Expansion Valve	072009000006	1
12	Display Board	30296000040	1
13	Sensor Sub-Assy	390002060021	1

Above data is subject to change without notice, pls refer the SP in global service website.

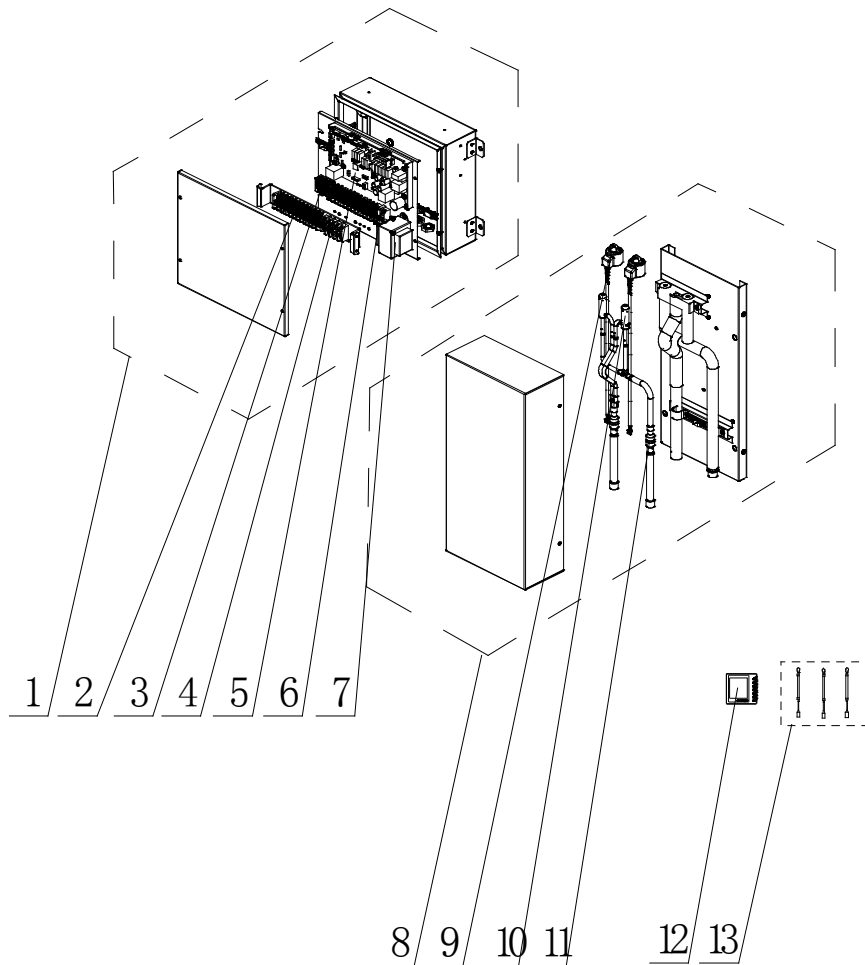
Exploded View of GMV-N71U/C-T, GMV-N140U/C-T, GMV-N280U/C-T:



No.	Name of part	For the following unit	
		Unit	Product Code
		GMV-N71U/C-T	CN750N0200
		GMV-N140U/C-T	CN750N0180
		GMV-N280U/C-T	CN750N0170
		Part code	Quantity
1	Electric Box Assy	100002066409	1
2	Terminal Board	422000000009	2
3	Terminal Board	42200006000401	1
4	Terminal Board	42200006000901	1
5	Main Board	300002060941	1
6	Terminal Board	42000100000101	1
7	Transformer	450002060013	1
8	Electronic Expansion Valve Assy	030174060013(280) 030174060012(140) 030174060014(71)	1
9	Strainer	0741520000201	2
10	Electric Expand Valve Fitting	4304413239	1
11	Electronic Expansion Valve	43044100190(280) 43044100172(140) 072009000001(71)	1
12	Display Board	30296000040	1
13	Sensor Sub-Assy	390002060021	1

Above data is subject to change without notice, pls refer the SP in global service website.

Exploded View of GMV-N560U/C-T:

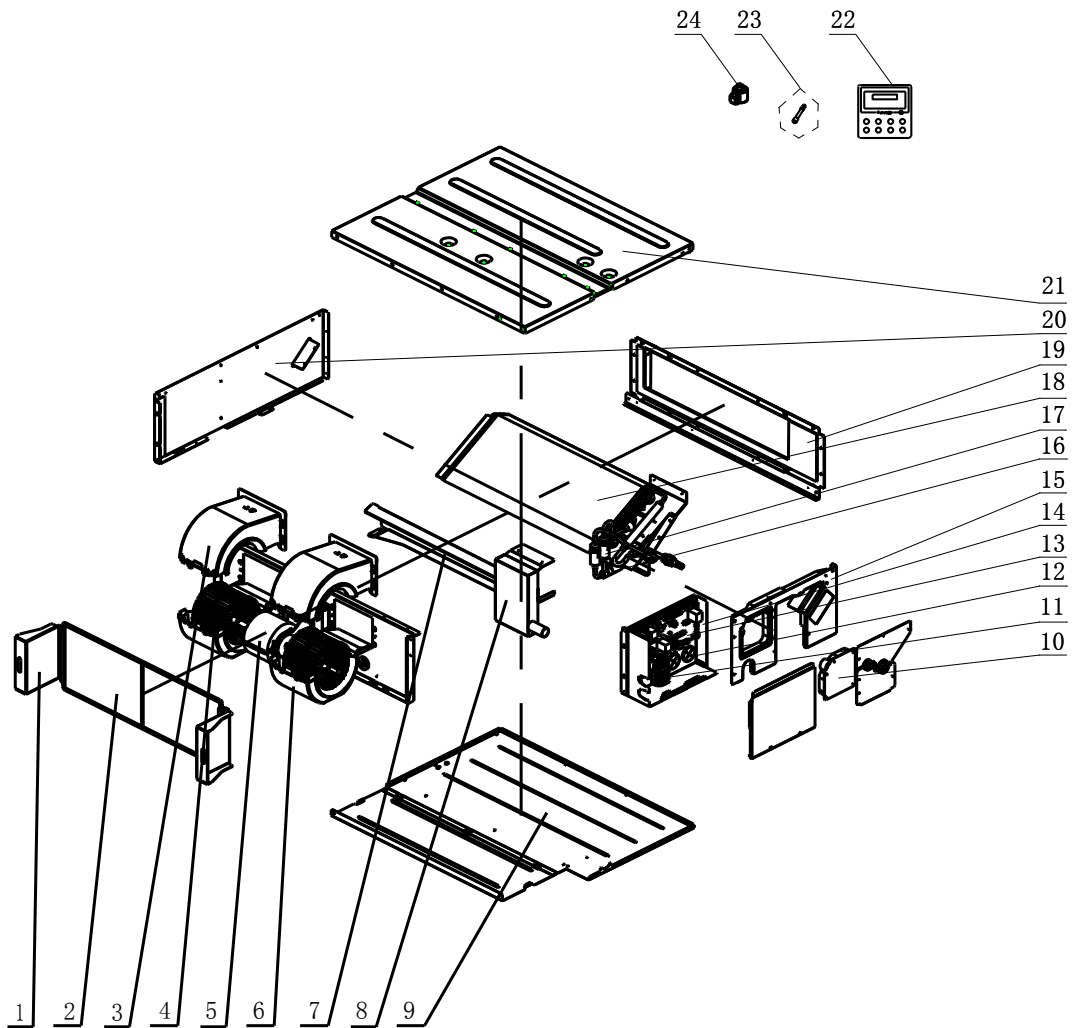


No.	Model	GMV-N560U/C-T	Qty.
	Product Code	CN750N0160	
	Part Name	Part Code	
1	Electric Box Assy	100002066409	1
2	Terminal Board	422000000009	1
3	Terminal Board	42200006000401	1
4	Terminal Board	42200006000901	1
5	Main Board	300002060941	1
6	Terminal Board	300002060941	1
7	Transformer	450002060013	1
8	Electronic Expansion Valve assy	030174060011	1
9	Electric Expand Valve Fitting	4304413239	2
10	Electronic Expansion Valve	43044100190	2
11	Strainer	0721212101	2
12	Display Board	30296000040	1
13	Sensor Sub-assy	390002060021	1

Above data is subject to change without notice, pls refer the SP in global service website.

5.16 Concealed Floor Standing Type

Exploded View of GMV-ND22ZA/A-T, GMV-ND28ZA/A-T, GMV-ND36ZA/A-T:

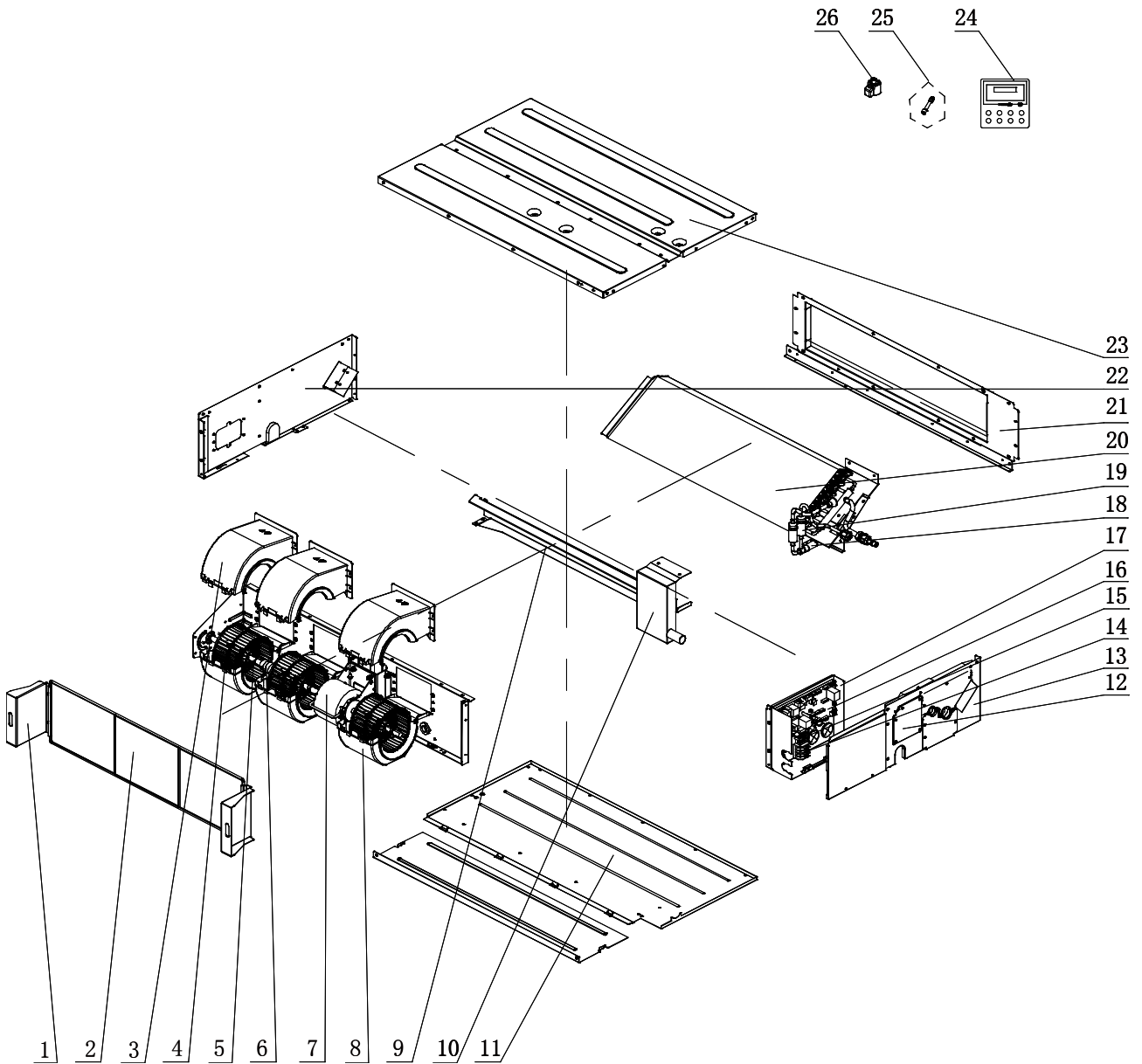


No.	Name of part	For the following unit	
		Unit	Product Code
		GMV-ND22ZA/A-T	CM810N1490
		GMV-ND28ZA/A-T	CM810N1480
		GMV-ND36ZA/A-T	CM810N1460
		Part code	Quantity
1	Supporter	012060002587	2
2	Filter Sub-Assy	111001000102	1
3	Front Volute Casing	26905205	2
4	Centrifugal Fan	10425200	2
5	Brushless DC Motor	15704100001	1
6	Rear Volute Casing	26905206	2
7	Water Tray Assy	000069060002	1
8	Water Tray Assy	000069000112	1
9	Bottom Cover Plate Assy	000133000016	1
10	Sealplate sub-assy (drainage)	01495318	1

No.	Name of part	For the following unit	
		Unit	Product Code
		GMV-ND22ZA/A-T	CM810N1490
		GMV-ND28ZA/A-T	CM810N1480
		GMV-ND36ZA/A-T	CM810N1460
		Part code	Quantity
11	Terminal Board	4201800002601	1
12	Terminal Board	42000100000101	1
13	Main Board	30226000029	1
14	Electric Box Assy	100002004224	1
15	Left Side Plate Assy	01315200087	1
16	Electronic Expansion Valve	07334463	1
17	Strainer	0741410000601	2
18	Evaporate Assy	011001000641	1
19	Air Outlet Frame Assy	000141000028	1
20	Right Side Plate Assy	000081000034	1
21	Top Cover Board Assy	000132000029	1
22	Display Board	30296000040	1
23	Sensor Sub-assy	39004168G	1
24	Electric Expand Valve Fitting	4304413215	1

Above data is subject to change without notice, pls reference the SP in global service website.

Exploded View of GMV-ND45ZA/A-T:

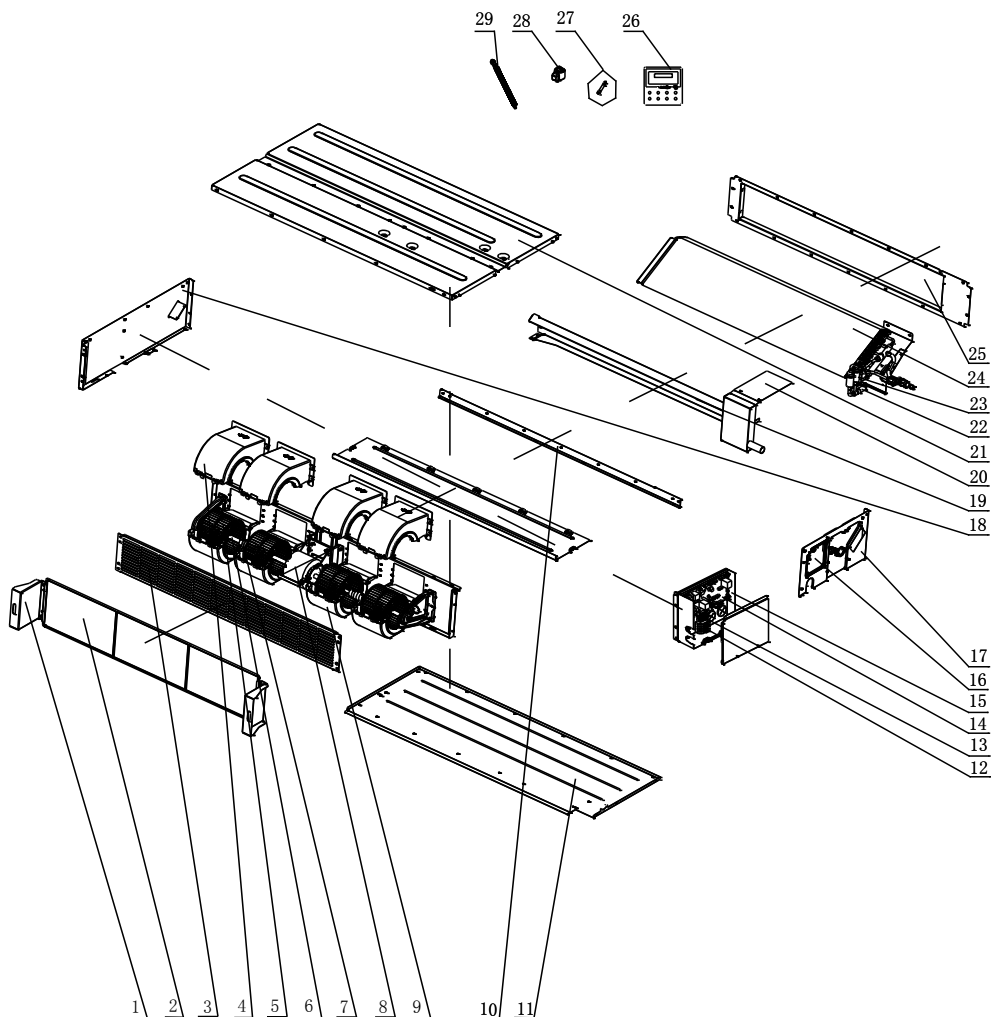


No.	Name of part	For the following unit	
		Unit	Product Code
		GMV-ND45ZA/A-T	CM810N1470
		Part code	Quantity
1	Supporter	012060002587	2
2	Filter Sub-Assy	111001000101	1
3	Front Volute Casing	26905205	3
4	Centrifugal Fan	10425200	3
5	Rotray Axis Sub-Assy	73018020	1
6	Joint Slack	73018731	1
7	Brushless DC Motor	15704100001	1
8	Rear Volute Casing	26905206	3
9	Water Tray Assy	000069060001	1
10	Water Tray Assy	000069000112	1
11	Bottom Cover Plate Assy	000133000015	1
12	Sealplate sub-assy (drainage)	01495318	1

No.	Name of part	For the following unit	
		Unit	Product Code
		GMV-ND45ZA/A-T	CM810N1470
		Part code	Quantity
13	Left Side Plate Assy	01315200087	1
14	Terminal Board	4201800002601	1
15	Terminal Board	42000100000101	1
16	Main Board	30226000029	1
17	Electric Box Assy	100002004224	1
18	Electronic Expansion Valve	07334466	1
19	Strainer	07213050	2
20	Evaporate Assy	011001060025	1
21	Air Outlet Frame Assy	000141000026	1
22	Right Side Plate Assy	000081000032	1
23	Top Cover Board Assy	000132000026	1
24	Display Board	30296000040	1
25	Sensor Sub-assy	39004168G	1
26	Electric Expand Valve Fitting	4304413215	1

Above data is subject to change without notice, pls reference the SP in global service website.

Exploded View of GMV-ND56ZA/A-T, GMV-ND63ZA/A-T,GMV-ND71ZA/A-T:

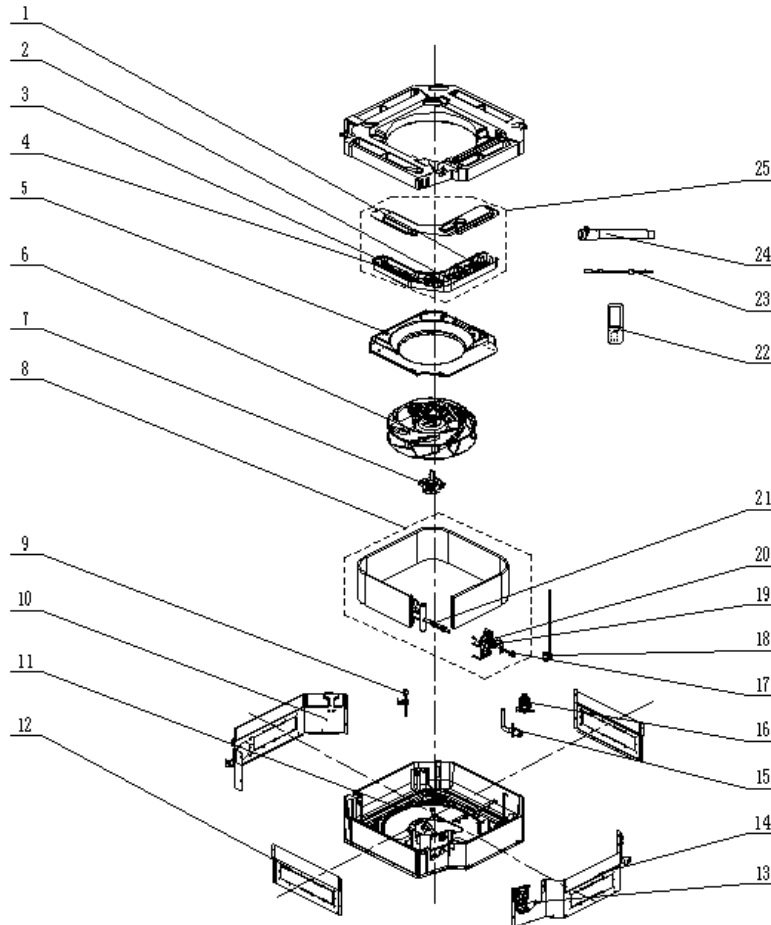


No.	Name of part	For the following unit	
		Unit	Product Code
		GMV-ND56ZA/A-T	CM810N1451
		GMV-ND63ZA/A-T	CM810N1440
		GMV-ND71ZA/A-T	CM810N1430
	Part code	Quantity	
1	Supporter	012060002587	2
2	Filter Sub-Assy	111001060010	1
3	Iron Grill	012051060107	1
4	Front Volute Casing	26905205	4
5	Centrifugal Fan	10425200	4
6	Rotary Axis Sub-Assy	700003060001	2
7	Joint Slack	73018731	2
8	Brushless DC Motor	15704100001	1
9	Rear Volute Casing	26905206	4
10	Cover Plate Sub-Assy	011657060006	1
11	Bottom Cover Plate Assy	000133060002	1
12	Terminal Board	4201800002601	1
13	Terminal Board	42000100000101	1
14	Main Board	30226000029	1
15	Electric Box Sub-Assy	017007000638	1
16	Sealplate sub-assy (drainage)	01495318	1
17	Left Side Plate Assy	01315200087	1
18	Right Side Plate Sub-Assy	000081000034	1
19	Water Tray Assy	000069000112	1
20	Water Tray Assy	000069000112	1
21	Top Cover Board Assy	000132060009	1
22	Electric Expansion Valve Sub-Assy	07334466	1
23	Strainer	0741410000601	2
24	Evaporator Assy	011001060027	1
25	Air Outlet Frame Assy	000141060002	1
26	Display Board	30296000040	1
27	Sensor Sub-assy	39004168G	1
28	Electric Expand Valve Fitting	4304413215	1
29	Corrugated Pipe	05015408	1

Above data is subject to change without notice, pls reference the SP in global service website.

5.17 360° Air Discharge Cassette Type

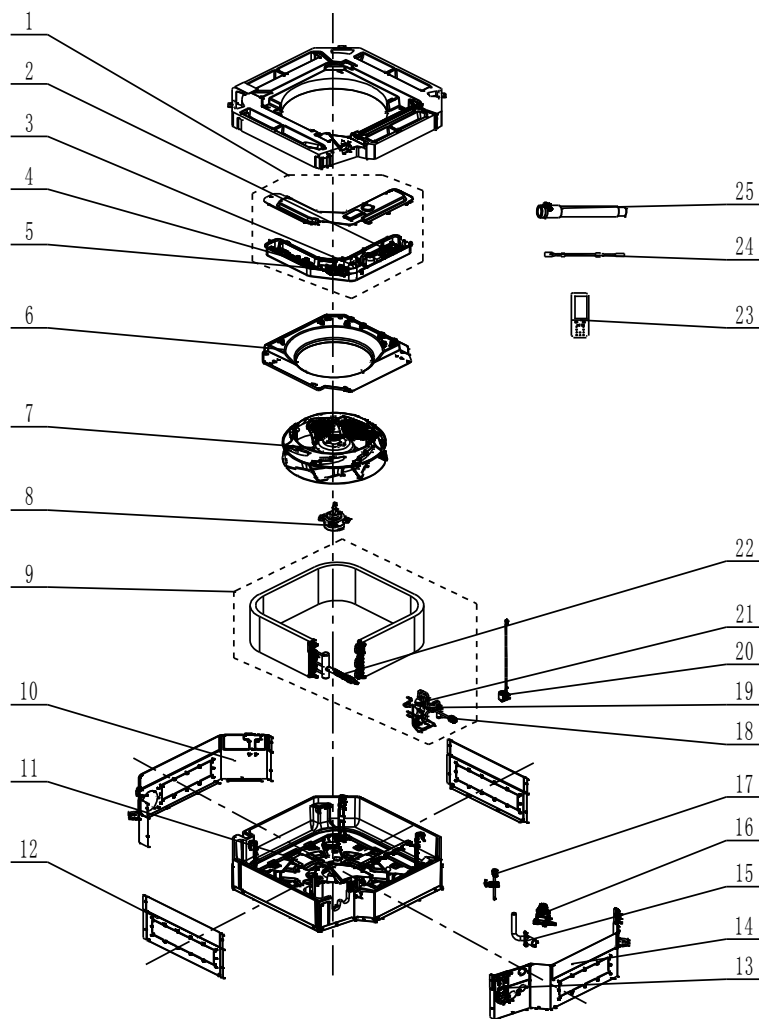
Exploded View of GMV-ND22T/C-T,GMV-ND28T/C-T:



No.	Name of part	For the following unit		For the following unit	
		Unit	Product Code	Unit	Product Code
		GMV-ND22T/C-T	CM500N1680	GMV-ND36T/C-T	CM500N1670
		GMV-ND28T/C-T	CM500N1660	GMV-ND45T/C-T	CM500N1650
		Part code	Quantity	Part code	Quantity
1	Main Board	30002060274	1	30002060274	1
2	Filter Board	30221000021	1	30221000021	1
3	Terminal Board	42011106	1	42011106	1
4	Terminal Board	42200006000401	1	42200006000401	1
5	Diversion Circle	26909400067	1	26909400067	1
6	Centrifugal Fan	10429400004	1	10429400004	1
7	Brushless DC Motor	1570410000702	1	1570410000702	1
8	Evaporator Assy	011001000430	1	011001000404	1
9	Liquid Level Switch	4502021601	1	4502021601	1
10	Side Plate 1	01319400049	1	01319400049	1
11	Seat Board Sub-Assy	02229400011	1	02229400011	1
12	Side Plate 3	01319400051	2	01319400051	2
13	Body Installing Plate	01332701	4	01332701	4
14	Side Plate 2	01319400050	1	01319400050	1
15	Drainage Pipe Sub-assy	26909400055	1	26909400055	1
16	Water Pump	43138000058	1	43138000058	1
17	Electronic Expansion Valve	07334463	1	07334463	1

No.	Name of part	For the following unit		For the following unit	
		Unit	Product Code	Unit	Product Code
		GMV-ND22T/C-T	CM500N1680	GMV-ND36T/C-T	CM500N1670
		GMV-ND28T/C-T	CM500N1660	GMV-ND45T/C-T	CM500N1650
		Part code	Quantity	Part code	Quantity
18	Electric Expand Valve Fitting	4304413252	1	4304413252	1
19	Strainer	07213050	1	07213050	1
20	Strainer	07415210	1	07415210	1
21	Corrugated Pipe	040001000002	1	035030000008	1
22	Remote Controller	30510589	1	30510589	1
23	Sensor Sub-assy	390002000032	1	390002000032	1
24	Drain Hose	05232044	1	05232044	1
25	Electric Box Assy	100002066372	1	100002066372	1

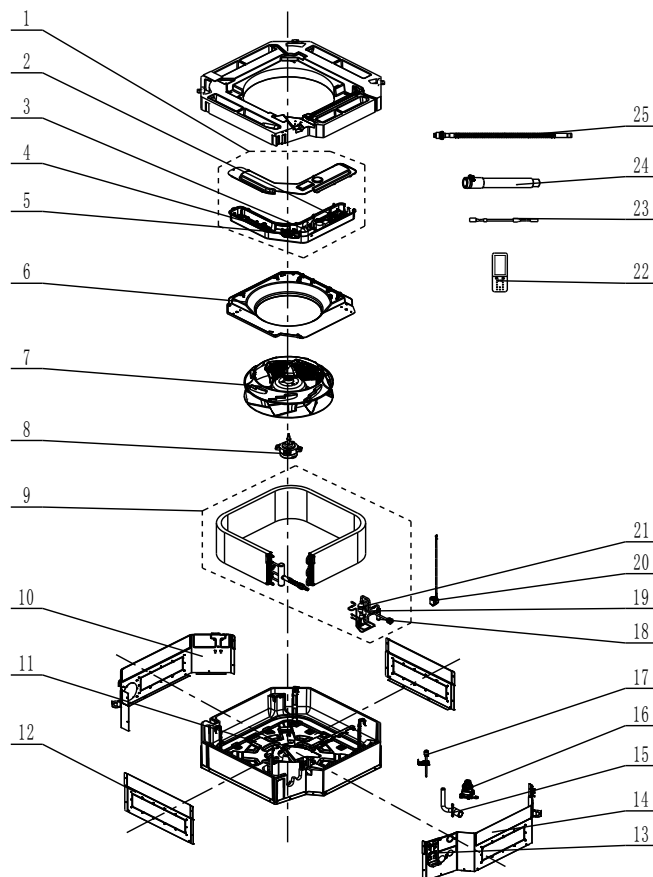
Exploded View of GMV-ND50T/C-T:



No.	Name of part	For the following unit	
		Unit	Product Code
		GMV-ND50T/C-T	CM500N1640
		Part code	Quantity
1	Electric Box Assy	100002066372	1
2	Main Board	300002060274	1
3	Filter Board	30221000021	1
4	Terminal Board	42200006000401	1

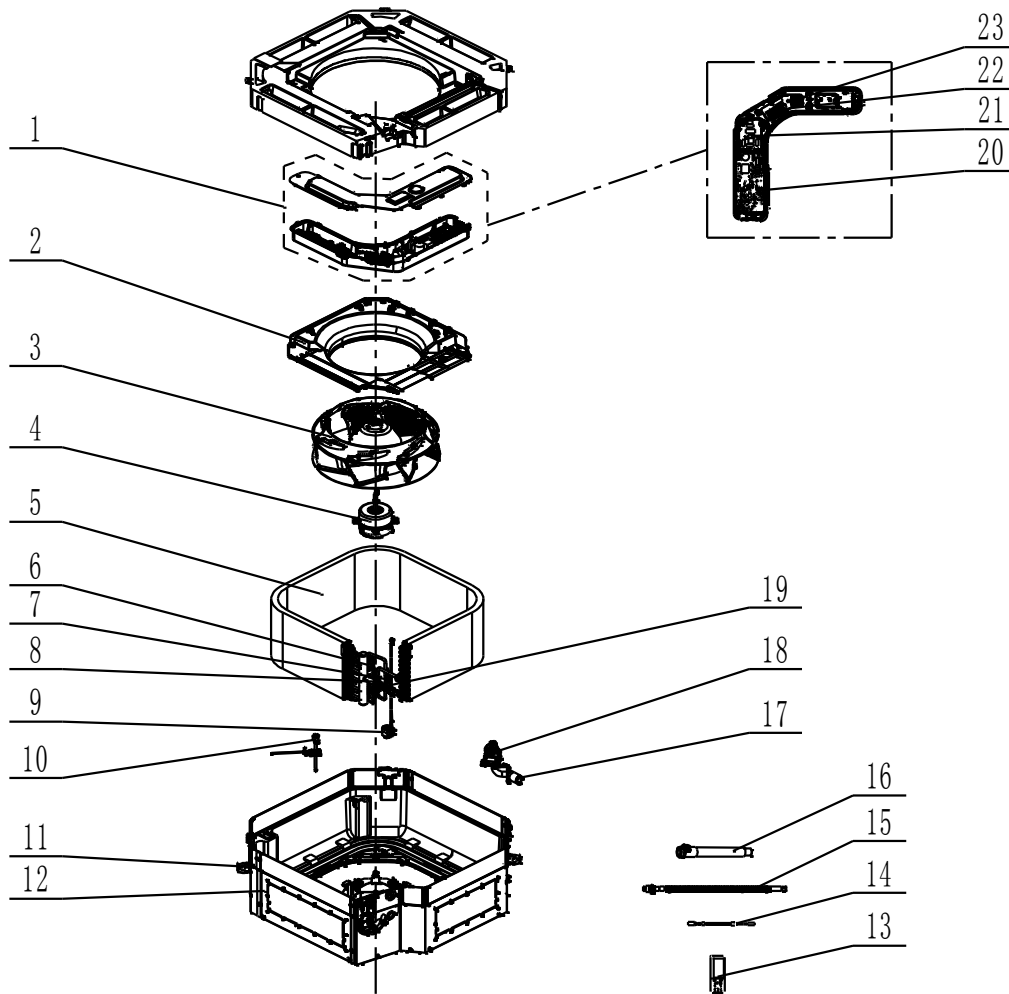
No.	Name of part	For the following unit	
		Unit	Product Code
		GMV-ND50T/C-T	CM500N1640
		Part code	Quantity
5	Terminal Board	42011106	1
6	Diversion Circle	26909400067	1
7	Centrifugal Fan	10429400004	1
8	Brushless DC Motor	1570410000702	1
9	Evaporator Assy	011001000239	1
10	Side Plate 1	01319400049	1
11	Seat Board Sub-Assy	02229400011	1
12	Side Plate 3	01319400051	2
13	Body Installing Plate	01332701	4
14	Side Plate 2	01319400050	1
15	Drainage Pipe Sub-assy	26909400055	1
16	Water Pump	43138000058	1
17	Liquid Level Switch	4502021601	1
18	Electronic Expansion Valve	07334463	1
19	Strainer	07213050	1
20	Electric Expand Valve Fitting	4304413252	1
21	Strainer	07415210	1
22	Corrugated Pipe	035030000008	1
23	Remote Controller	30510589	1
24	Sensor Sub-assy	390002000032	1
25	Drain Hose	05232044	1

Exploded View of GMV-ND56T/C-T,GMV-ND63T/C-T,GMV-ND71T/C-T:



No.	Name of part	For the following unit	
		Unit	Product Code
		GMV-ND56T/C-T	CM500N1630
		GMV-ND63T/C-T	CM500N1440
		GMV-ND71T/C-T	CM500N1370
	Part code	Quantity	
1	Electric Box Assy	100002066372	1
2	Main Board	300002060274	1
3	Filter Board	30221000021	1
4	Terminal Board	42200006000401	1
5	Terminal Board	42011106	1
6	Diversion Circle	26909400067	1
7	Centrifugal Fan	10429400004	1
8	Brushless DC Motor	1570410000702	1
9	Evaporator Assy	011001000410	1
10	Side Plate 1	01319400049	1
11	Seat Board Sub-Assy	02229400011	1
12	Side Plate 3	01319400051	2
13	Body Installing Plate	01332701	4
14	Side Plate 2	01319400050	1
15	Drainage Pipe Sub-assy	26909400055	1
16	Water Pump	43138000058	1
17	Liquid Level Switch	4502021601	1
18	Electronic Expansion Valve	07334463	1
19	Strainer	07213050	1
20	Electric Expand Valve Fitting	4304413252	1
21	Strainer	07415210	1
22	Remote Controller	30510589	1
23	Sensor Sub-assy	390002000032	1
24	Drain Hose	05232044	1
25	Corrugated Pipe	05015408	1

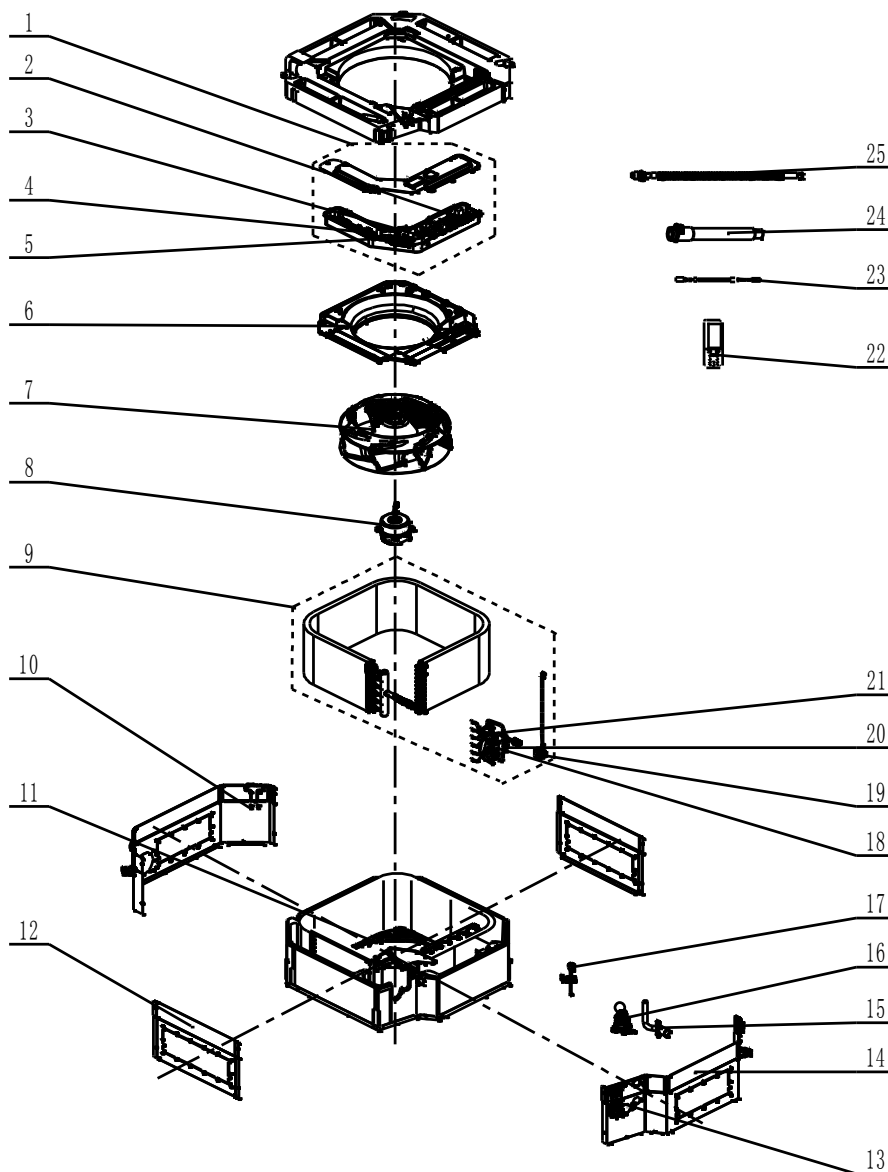
Exploded View of GMV-ND80T/C-T,GMV-ND90T/C-,GMV-ND100T/C-T:



No.	Name of part	For the following unit	
		Unit	Product Code
		GMV-ND80T/C-T	CM500N1430
		GMV-ND90T/C-T	CM500N1420
		GMV-ND100T/C-T	CM500N1380
		Part code	Quantity
1	Electric Box Assy	100002066372	1
2	Diversion Circle	26909400067	1
3	Centrifugal Fan	10429400004	1
4	Brushless DC Motor	1570410000702	1
5	Evaporator Assy	011001000236	1
6	Strainer	07415210	1
7	Electronic Expansion Valve	07334466	1
8	Strainer	07213050	1
9	Electric Expand Valve Fitting	4304413252	1
10	Liquid Level Switch	4502021601	1
11	Body Installing Plate	01332701	4
12	Seat Board Sub-Assy	02229400011	1
13	Remote Controller	30510589	1
14	Sensor Sub-Assy	390002000032	1
15	Corrugated Pipe	05015408	1
16	Drain Hose	05232044	1

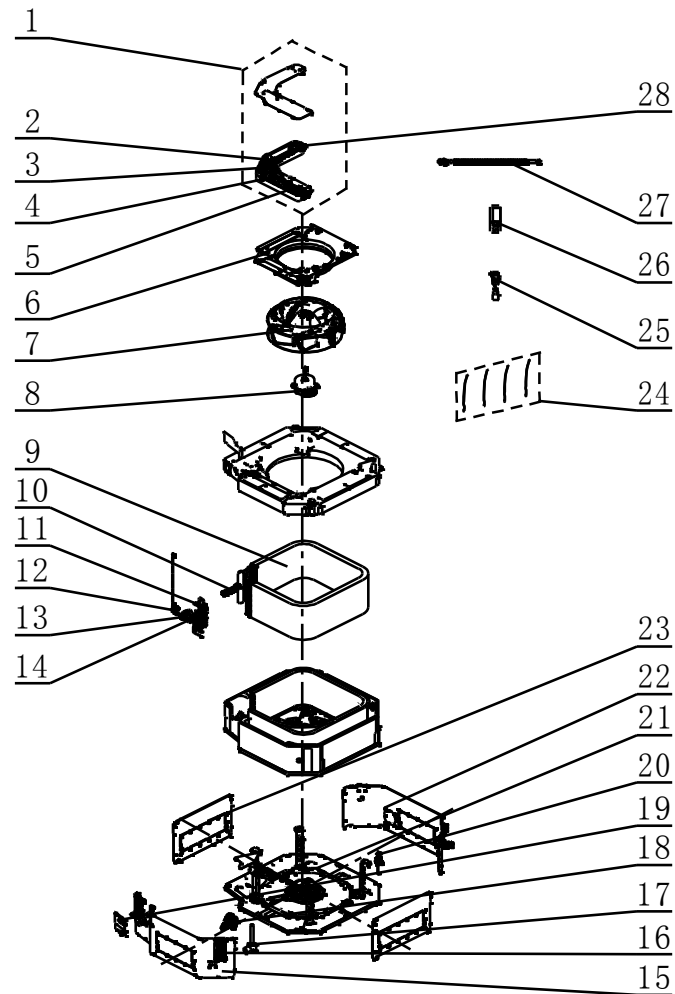
No.	Name of part	For the following unit	
		Unit	Product Code
		GMV-ND80T/C-T	CM500N1430
		GMV-ND90T/C-T	CM500N1420
		GMV-ND100T/C-T	CM500N1380
	Part code	Quantity	
17	Drainage Pipe Sub-Assy	26909400055	1
18	Water Pump	43138000058	1
19	Corrugated Pipe	03503000007	1
20	Main Board	300002060274	1
21	Filter Board	30221000021	1
22	Terminal Board	42011106	1
23	Terminal Board	42200006000401	1

Exploded View of GMV-ND112T/C-T,GMV-ND125T/C-T,GMV-ND140T/C-T:



No.	Name of part	For the following unit	
		Unit	Product Code
		GMV-ND112T/C-T	CM500N1400
		GMV-ND125T/C-T	CM500N1410
		GMV-ND140T/C-T	CM500N1360
	Part code	Quantity	
1	Electric Box Assy	100002066372	1
2	Main Board	300002060274	1
3	Filter Board	30221000021	1
4	Terminal Board	42200006000401	1
5	Terminal Board	42011106	1
6	Diversion Circle	10479400002	1
7	Centrifugal Fan	10429400003	1
8	Brushless DC Motor	15709400009	1
9	Evaporator Assy	011001000405	1
10	Side Plate 1	01319400025	1
11	Seat Board Sub-Assy	02229400011	1
12	Side Plate 3	01319400036	2
13	Body Installing Plate	01332701	4
14	Side Plate 2	01319400026	1
15	Drainage Pipe Sub-assy	26909400055	1
16	Water Pump	43138000058	1
17	Liquid Level Switch	4502021601	1
18	Strainer	07213050	1
19	Electric Expand Valve Fitting	4304413252	1
20	Electronic Expansion Valve	07334468	1
21	Strainer	07415210	1
22	Remote Controller	30510589	1
23	Sensor Sub-assy	390002000032	1
24	Drain Hose	05232044	1
25	Corrugated Pipe	05015408	1

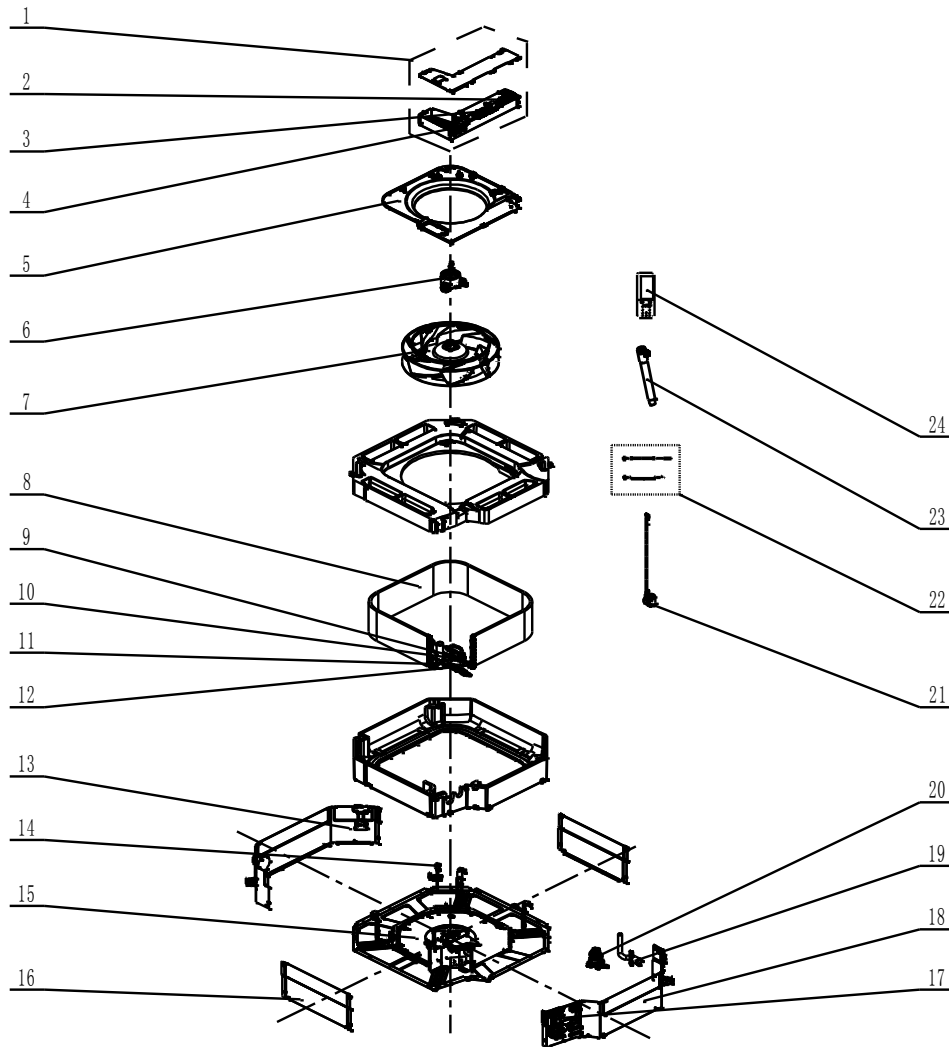
Exploded View of GMV-ND160T/C-T:



No.	Name of part	For the following unit	
		Unit	Product Code
		GMV-ND160T/C-T	CM500N1710
		Part code	Quantity
1	Electric Box Assy	100002072281	1
2	Terminal Board	42200006005404	1
3	Terminal Board	42011106	1
4	Filter Board	30221000021	1
5	Main Board	300002060274	1
6	Diversion Circle	10479400002	1
7	Centrifugal Fan	10429400003	1
8	Brushless DC Motor	15709400009	1
9	Evaporator Sub-Assy	01059400009	1
10	Corrugated Pipe	0502511203	1
11	Strainer	07415210	1
12	Electric Expand Valve Fitting	4304413252	1
13	Strainer	07213050	1
14	Electronic Expansion Valve	072009060045	1
15	Side Plate 2	01319400026	1
16	Body Installing Plate	01332701	4
17	Drainage Pipe Sub-assy	26909400055	1
18	Water Pump	43138000058	1

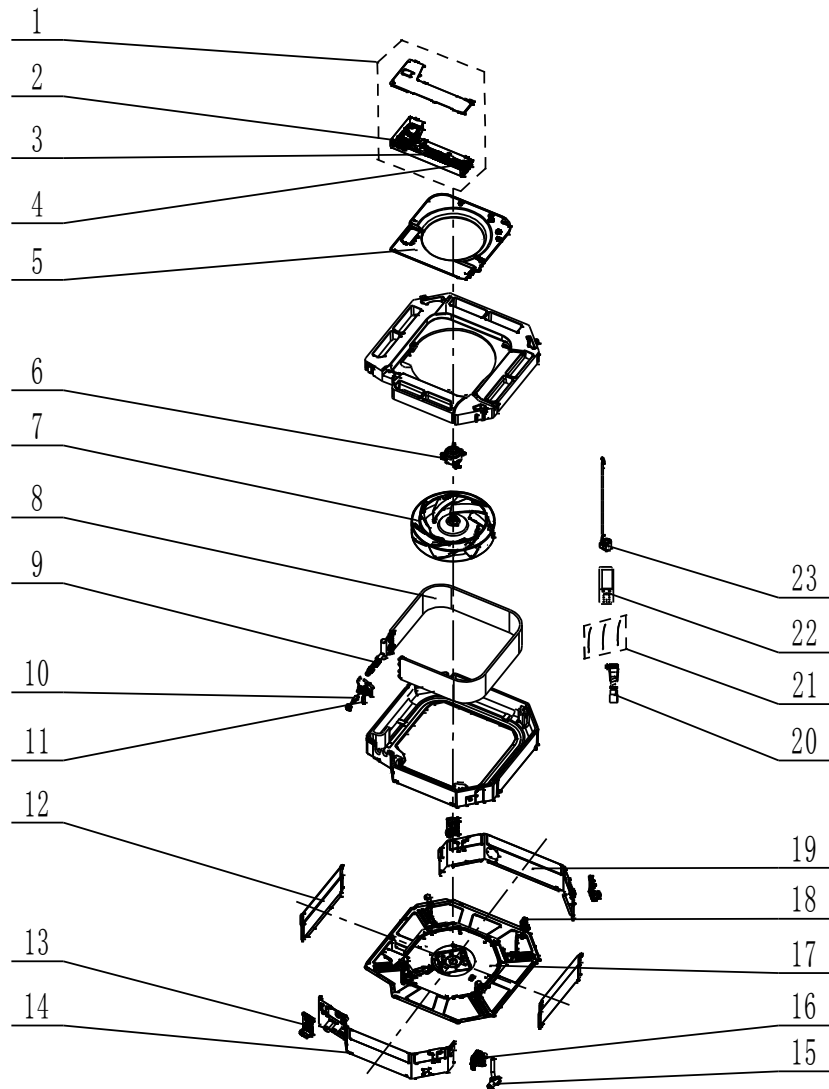
No.	Name of part	For the following unit	
		Unit	Product Code
		GMV-ND160T/C-T	CM500N1710
		Part code	Quantity
19	Seal plate	01499400002	1
20	Liquid Level Switch	4502021601	1
21	Seat Board Sub-Assy	02229400011	1
22	Side Plate 1	01319400025	1
23	Side Plate 3	01319400036	2
24	Sensor Sub-assy	390002000032	1
25	Drain Hose	05232044	1
26	Remote Controller	30510589	1
27	Corrugated Pipe	035030000005	1
28	Filter Board	300020060076	1

Exploded View of GMV-ND22T/C1-T,GMV-ND28T/C1-T,GMV-ND36T/C1-T:



No.	Name of part	For the following unit		For the following unit	
		Unit	Product Code	Unit	Product Code
		GMV-ND22T/C1-T	CM500N1850	GMV-ND36T/C1-T	CM500N1820
		GMV-ND28T/C1-T	CM500N1860	-	-
		Part code	Quantity	Part code	Quantity
1	Electric Box Assy	100002071821	1	100002071821	1
2	Terminal Board	42200006005404	1	42200006005404	1
3	Main Board	300002061986	1	300002061986	1
4	Terminal Board	42000100000204	1	42000100000204	1
5	Diversion Circle	200150060006	1	200150060006	1
6	Brushless DC Motor	15010406001201	1	15010406001201	1
7	Centrifugal Fan	103003060016	1	103003060016	1
8	Evaporator Assy	011001062102	1	011001062151	1
9	Strainer	035021060019	1	035021060019	1
10	Strainer	07213050	1	07213050	1
11	Electronic Expansion Valve	07334463	1	07334463	1
12	Corrugated Pipe	035030000008	1	035030000008	1
13	Side Plate	012010060371	1	012010060371	1
14	Liquid Level Switch	4502021601	1	4502021601	1
15	Seat Board Sub-Assy	017080060112	1	017080060112	1
16	Side Plate	012010060370	2	012010060370	2
17	Body Installing Plate	01332701	4	01332701	4
18	Side Plate	012010060372	1	012010060372	1
19	Drainage Pipe Sub-assy	2690940005501	1	2690940005501	1
20	Water Pump	43138000058	1	43138000058	1
21	Electric Expand Valve Fitting	4304413215	1	4304413215	1
22	Sensor Sub-assy	390002060106	1	390002060106	1
23	Drain Hose	05232044	1	05232044	1
24	Remote Controller	30510589	1	30510589	1

Exploded View of GMV-ND45T/C1-T, GMV-ND50T/C1-T:



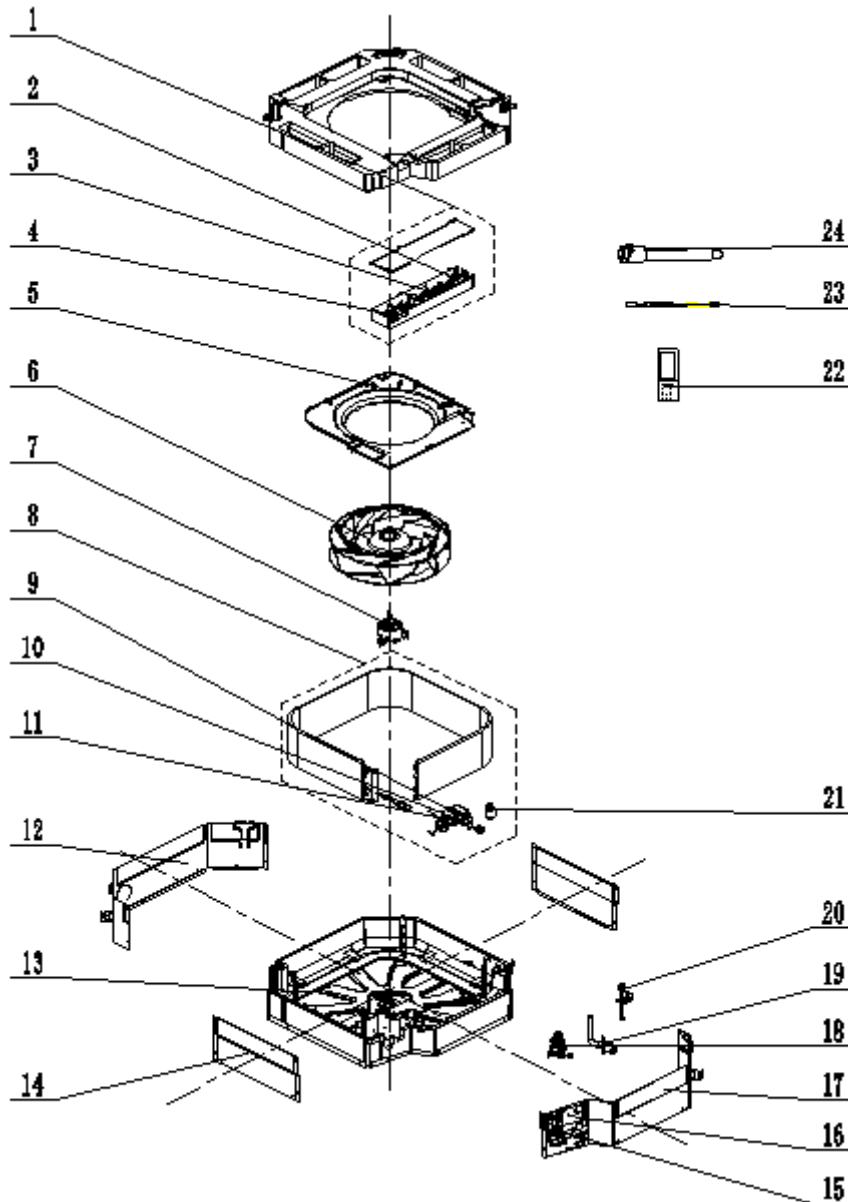
No.	Name of part	For the following unit	
		Unit	Product Code
		GMV-ND45T/C1-T	CM500N1730
		GMV-ND50T/C1-T	CM500N1720
		Part code	Quantity
1	Electric Box Assy	100002071821	1
2	Terminal Board	42000100000204	1
3	Main Board	300002061986	1
4	Terminal Board	42200006005404	1
5	Diversion Circle	200150060006	1
6	Brushless DC Motor	15010406001201	1
7	Centrifugal Fan	103003060016	1
8	Evaporator Assy	011001060984	1
9	Corrugated Pipe	035030000008	1
10	Strainer	07213050	1
11	Electronic Expansion Valve	072009000006	1
12	Side Plate	012010060370	2
13	Body Installing Plate	01332701	4
14	Side Plate	012010060372	1
15	Drainage Pipe Sub-assy	2690940005501	1

No.	Name of part	For the following unit	
		Unit	Product Code
		GMV-ND45T/C1-T	CM500N1730
		GMV-ND50T/C1-T	CM500N1720
		Part code	Quantity
16	Water Pump	43138000058	1
17	Seat Board Sub-Assy	017080060112	1
18	Liquid Level Switch	4502021602	1
19	Side Plate	012010060371	1
20	Drain Hose	05232044	1
21	Sensor Sub-assy	390002060106	1
22	Remote Controller	30510589	1
23	Electric expand valve fitting	43040001	1

Above data is subject to change without notice, pls reference the SP in global service website.

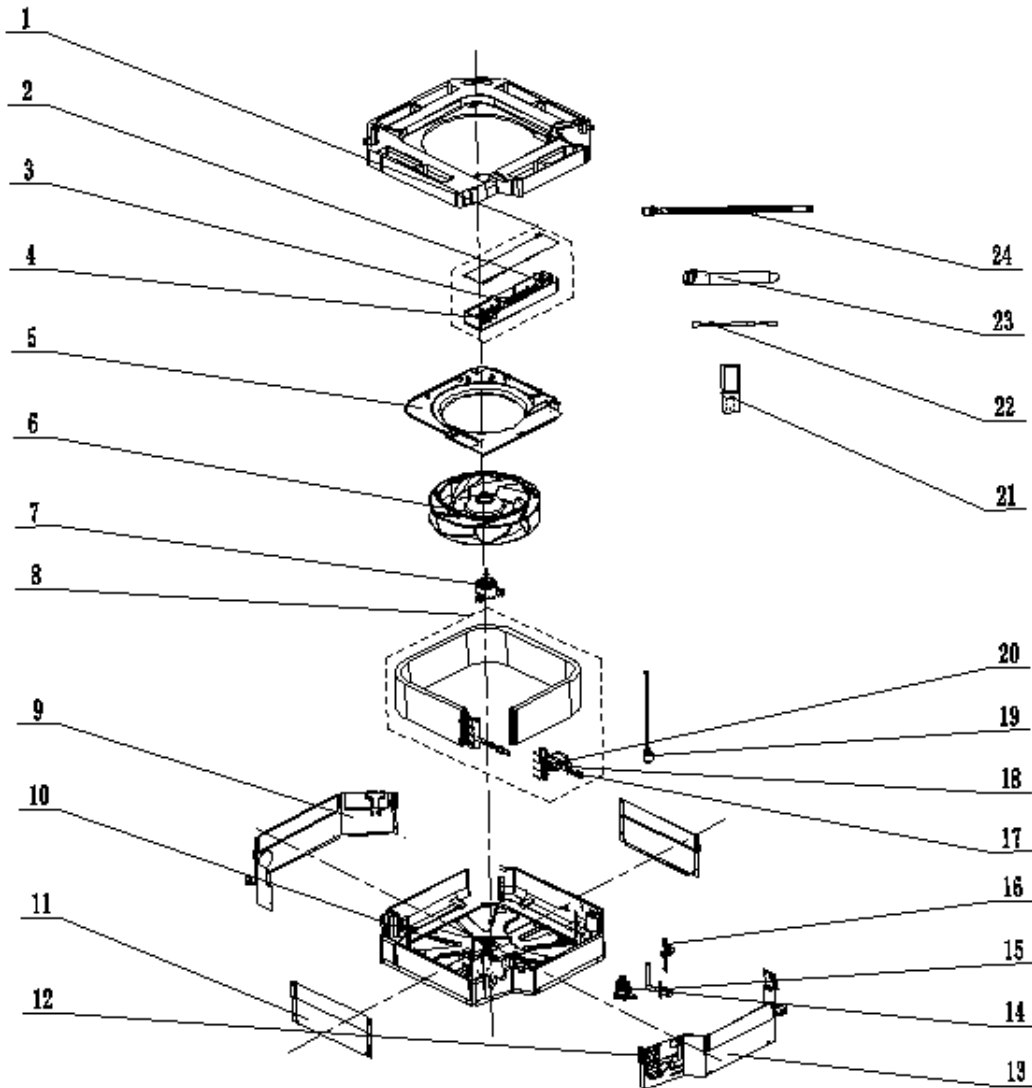
Exploded View of

GMV-ND22T/D1-T,GMV-ND28T/D1-T,GMV-ND36T/D1-T,GMV-ND45T/D1-T,GMV-ND50T/D1-T:



No.	Name of part	For the following unit	
		Unit	Product Code
		GMV-ND22T/D1-T	CM500N2170
		GMV-ND28T/D1-T	CM500N2130
		GMV-ND36T/D1-T	CM500N2120
		GMV-ND45T/D1-T	CM500N2180
		GMV-ND50T/D1-T	CM500N2010
		Part code	Quantity
1	Electric Box Assy	100002077709	1
2	Terminal Board	42200006005404	1
3	Main Board	300002062830	1
4	Terminal Board	422000060013	1
5	Diversion Circle	200150060006	1
6	Brushless DC Motor	15010406001201	1
7	Centrifugal Fan	103003060016	1
8	Evaporator Assy	011001062396	1
9	Electronic Expansion Valve	072009060047	1
10	Strainer	07213050	1
11	Strainer	035021060019	1
12	Side Plate	012010060371	1
13	Seat Board Sub-Assy	017080060148	1
14	Side Plate	012010060370	2
15	Body Installing Plate	01332701	4
16	Seal plate Assy	000112060031	1
17	Side Plate	01201006037201	1
18	Water Pump	43138000058	1
19	Drainage Pipe Sub-assy	2690940005501	1
20	Liquid Level Switch	4502021603	1
21	Electric Expand Valve Fitting	4304413215	1
22	Remote Controller	30510589	1
23	Sensor Sub-assy	390002060106	1
24	Drain Hose	05232044	1

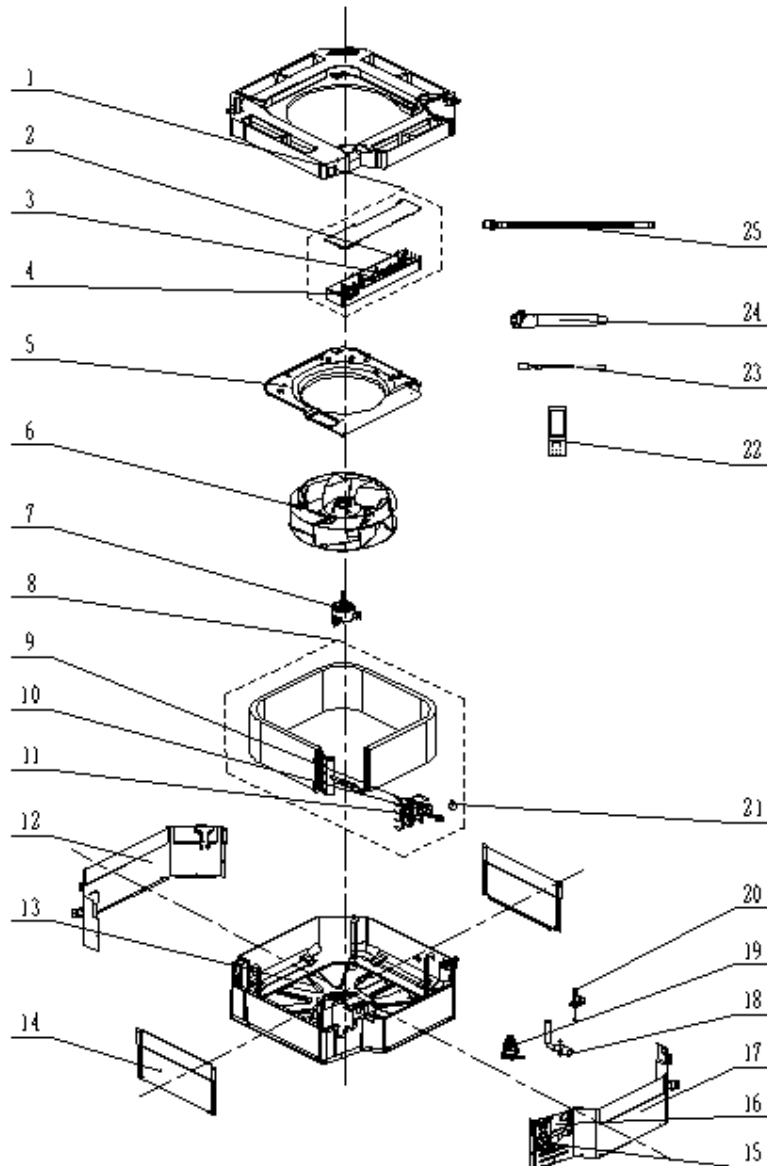
Exploded View Of GMV-ND56T/D1-T,GMV-ND63T/D1-T,GMV-ND71T/D1-T:



No.	Name of part	For the following unit	
		Unit	Product Code
		GMV-ND56T/D1-T	CM500N2100
		GMV-ND63T/D1-T	CM500N2160
		GMV-ND71T/D1-T	CM500N2030
		Part code	Quantity
1	Electric Box Assy	017007063195	1
2	Terminal Board	42200006005404	1
3	Main Board	300002062830	1
4	Terminal Board	422000060013	1
5	Diversion Circle	200150060006	1
6	Centrifugal Fan	103003060016	1
7	Brushless DC Motor	15010406001201	1
8	Evaporator Assy	011001062329	1
9	Side Plate	012010060371	1
10	Seat Board Sub-Assy	017080060148	1
11	Side Plate	012010060370	2
12	Body Installing Plate	01332701	4
13	Side Plate	01201006037201	1

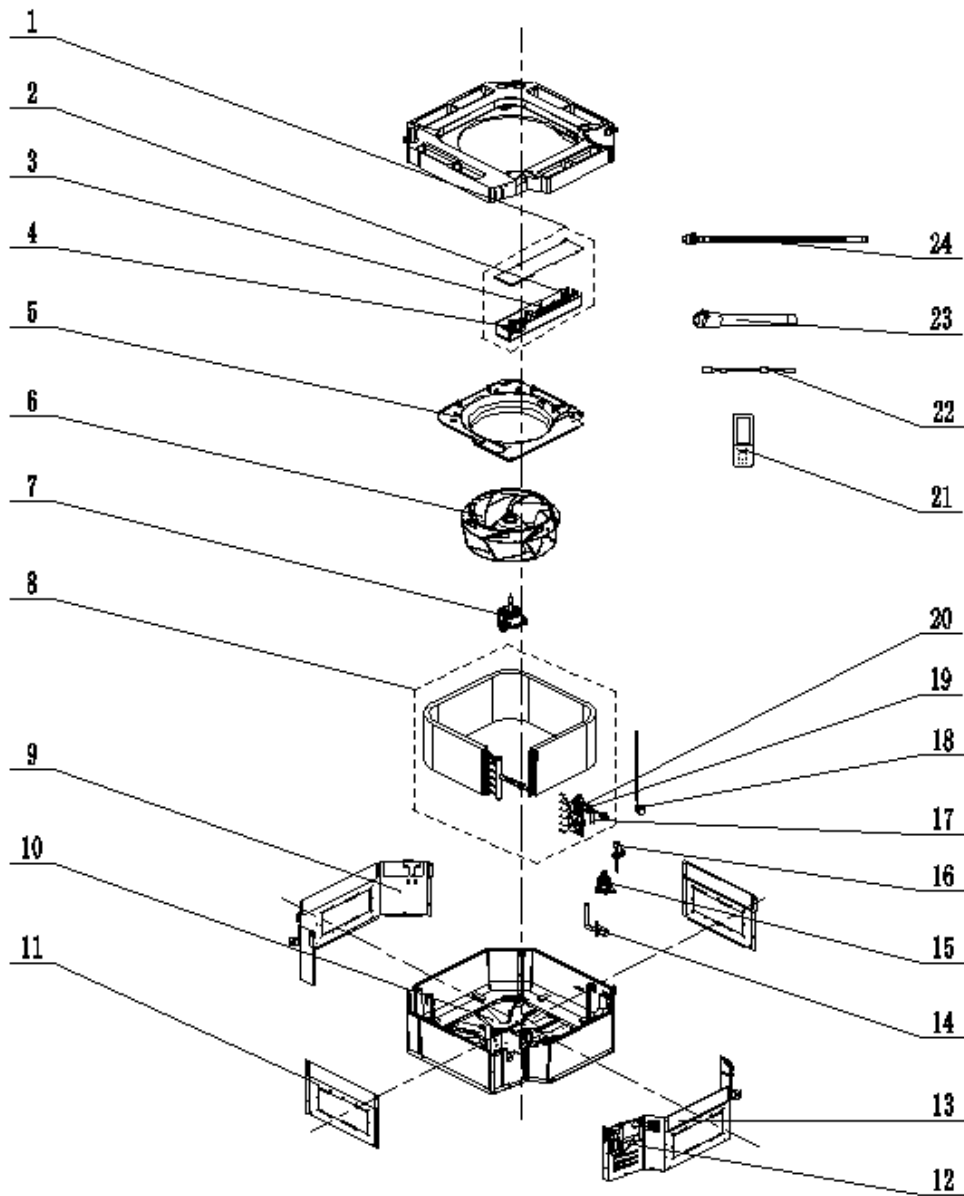
No.	Name of part	For the following unit	
		Unit	Product Code
		GMV-ND56T/D1-T	CM500N2100
		GMV-ND63T/D1-T	CM500N2160
		GMV-ND71T/D1-T	CM500N2030
	Part code	Quantity	
14	Water Pump	43138000058	1
15	Drainage Pipe Sub-assy	2690940005501	1
16	Liquid Level Switch	4502021603	1
17	Electric Expand Valve	072009060046	1
18	Strainer	07213050	1
19	Electric Expand Valve Fitting	4304413215	1
20	Strainer	035021060019	1
21	Remote Controller	30510589	1
22	Sensor Sub-assy	390002060106	1
23	Drain Hose	05232044	1
24	Corrugated Pipe	0502511201	1

Exploded View Of GMV-ND80T/D1-T,GMV-ND90T/D1-T,GMV-ND100T/D1-T,GMV-ND112T/D1-T:



No.	Name of part	For the following unit	
		Unit	Product Code
		GMV-ND80T/D1-T	CM500N2110
		GMV-ND90T/D1-T	CM500N2190
		GMV-ND100T/D1-T	CM500N2140
		GMV-ND112T/D1-T	CM500N2020
		Part code	Quantity
1	Electric Box Assy	100002077709	1
2	Terminal Board	42200006005404	1
3	Main Board	300002062830	1
4	Terminal Board	422000060013	1
5	Diversion Circle	200150060030	1
6	Centrifugal Fan	103003060047	1
7	Brushless DC Motor	150104060121	1
8	Evaporator Assy	011001062441	1
9	Electric Expand Valve Fitting	072009060045	1
10	Strainer	07213050	1
11	Strainer A	0721002201	1
12	Side Plate 1	012010061292	1
13	Seat Board Sub-Assy	017080060148	1
14	Side Plate	012010061294	2
15	Body Installing Plate	01332701	4
16	Seal Plate Assy	000112060031	1
17	Side Plate	012010061293	1
18	Drainage Pipe Sub-assy	269094000055	1
19	Water Pump	431380000058	1
20	Liquid Level Switch	4502021603	1
21	Electric Expand Valve Fitting	4304413252	1
22	Remote Controller	30510589	1
23	Sensor Sub-assy	390002060106	1
24	Drain Hose	05232044	1
25	Corrugated Pipe	035030000007	1

Exploded View Of GMV-ND125T/D1-T, GMV-ND140T/D1-T:



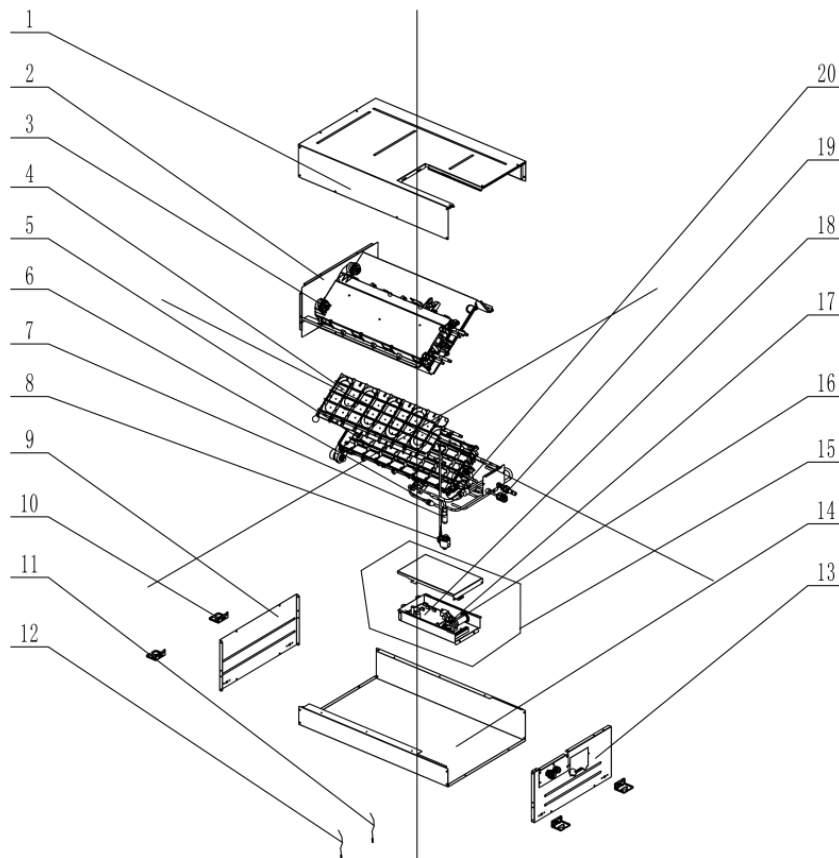
No.	Name of part	For the following unit	
		Unit	Product Code
		GMV-ND125T/D1-T	CM500N2150
		GMV-ND140T/D1-T	CM500N2040
		Part code	Quantity
1	Electric Box Assy	100002077708	1
2	Terminal Board	42200006005404	1
3	Main Board	300002062748	1
4	Terminal Board	422000060013	1
5	Diversion Circle	200150060029	1
6	Centrifugal Fan	103003060048	1
7	Brushless DC Motor	150104060122	1
8	Evaporator Assy	011001062236	1
9	Side Plate	012010061326	1
10	Seat Board Sub-Assy	017080060148	1
11	Side Plate	012010061328	2

No.	Name of part	For the following unit	
		Unit	Product Code
		GMV-ND125T/D1-T	CM500N2150
		GMV-ND140T/D1-T	CM500N2040
		Part code	Quantity
12	Body Installing Plate	01332701	4
13	Side Plate	012010061327	1
14	Drainage Pipe Sub-assy	26909400055	1
15	Water Pump	43138000058	1
16	Liquid Level Switch	4501800002904	1
17	Electric Expand Valve	072009060045	1
18	Electric Expand Valve Fitting	4304413252	1
19	Strainer	07213050	1
20	Strainer	035021060019	1
21	Remote Controller	30510589	1
22	Sensor Sub-assy	390002060106	1
23	Drain Hose	05232044	1
24	Corrugated Pipe	035030000007	1

Above data is subject to change without notice, pls reference the SP in global service website.

5.18 Heat Storage Module

Exploded View of XRZ180L/A-T

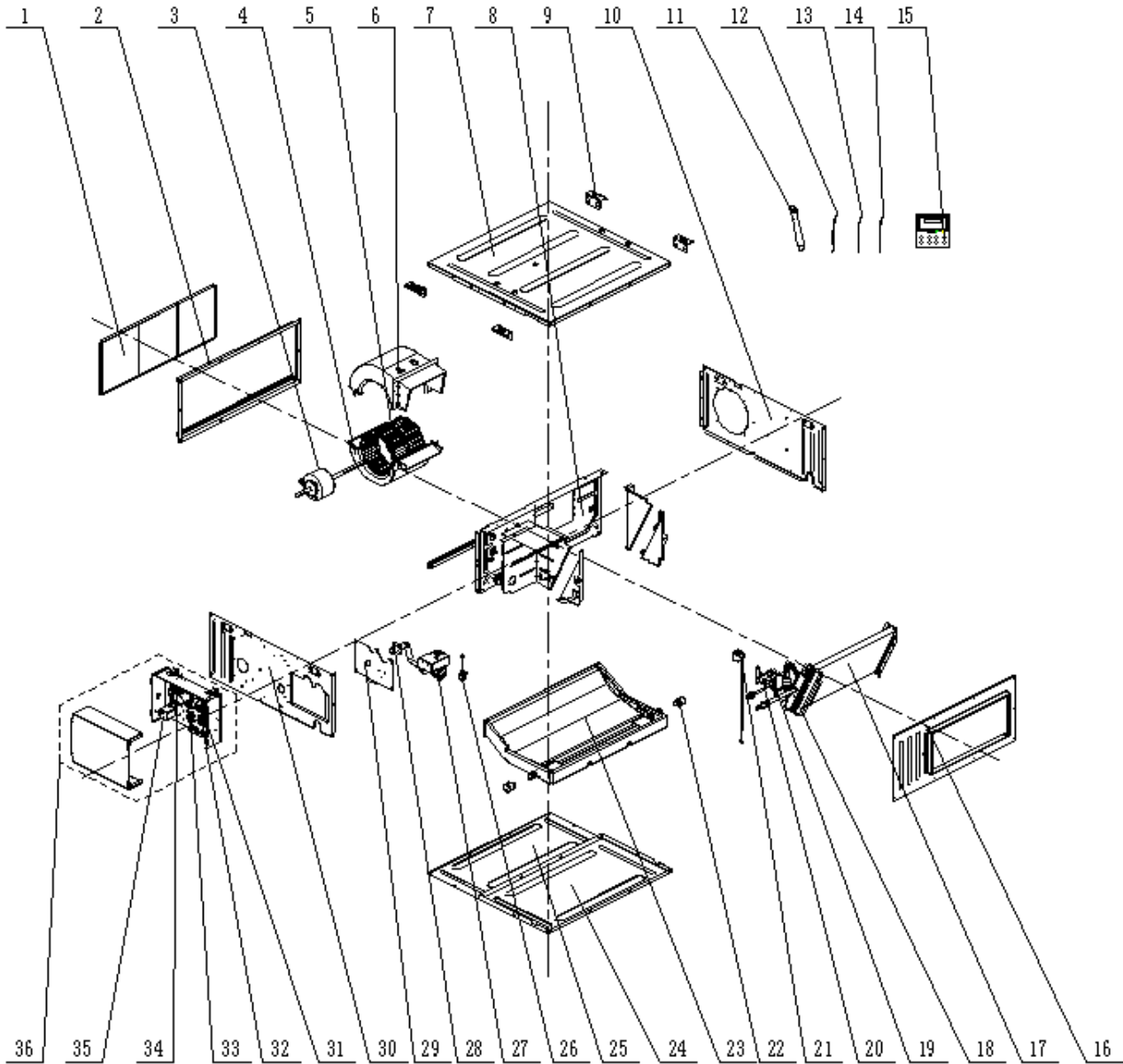


No.	Name of part	For the following unit	
		Unit	Product Code
		XRZ180L/A-T	CM810N2250
		Part code	Quantity
1	Top Cover	012148060003	1
2	Base Frame	012252060002	1
3	Compressor Gasket	76713066	1
4	Heat Accumulator Sub-assy	32005002	1
5	Heat Accumulator Sub-assy	32005003	1
6	Strainer	0721304401	1
7	Electronic Expansion Valve	07334466	1
8	Electric Expand Valve Fitting	4304413252	1
9	Right Side Plate	012056060003	1
10	Hook	0220410001201	1
11	Temperature Sensor	390001060013	1
12	Temperature Sensor	390001060011	1
13	Left Side Plate	012055060004	1
14	Bottom Cover Plate	012147060005	1
15	Electric Box Assy	100002071026	1
16	Terminal Board	42011106	1
17	Terminal Board	420001000019	1
18	Main Board	300002000795	1
19	Sealing Cap(Pressure Warning)	26112192	1
20	Strainer A	0721002201	1

Above data is subject to change without notice, pls reference the SP in global service website.

5.19 High Static Pressure Duct Type Indoor Unit

Exploded View of GMV-ND22PHS/D-T, GMV-ND25PHS/D-T, GMV-ND28PHS/D-T, GMV-ND32PHS/D-T, GMV-ND36PHS/D-T:

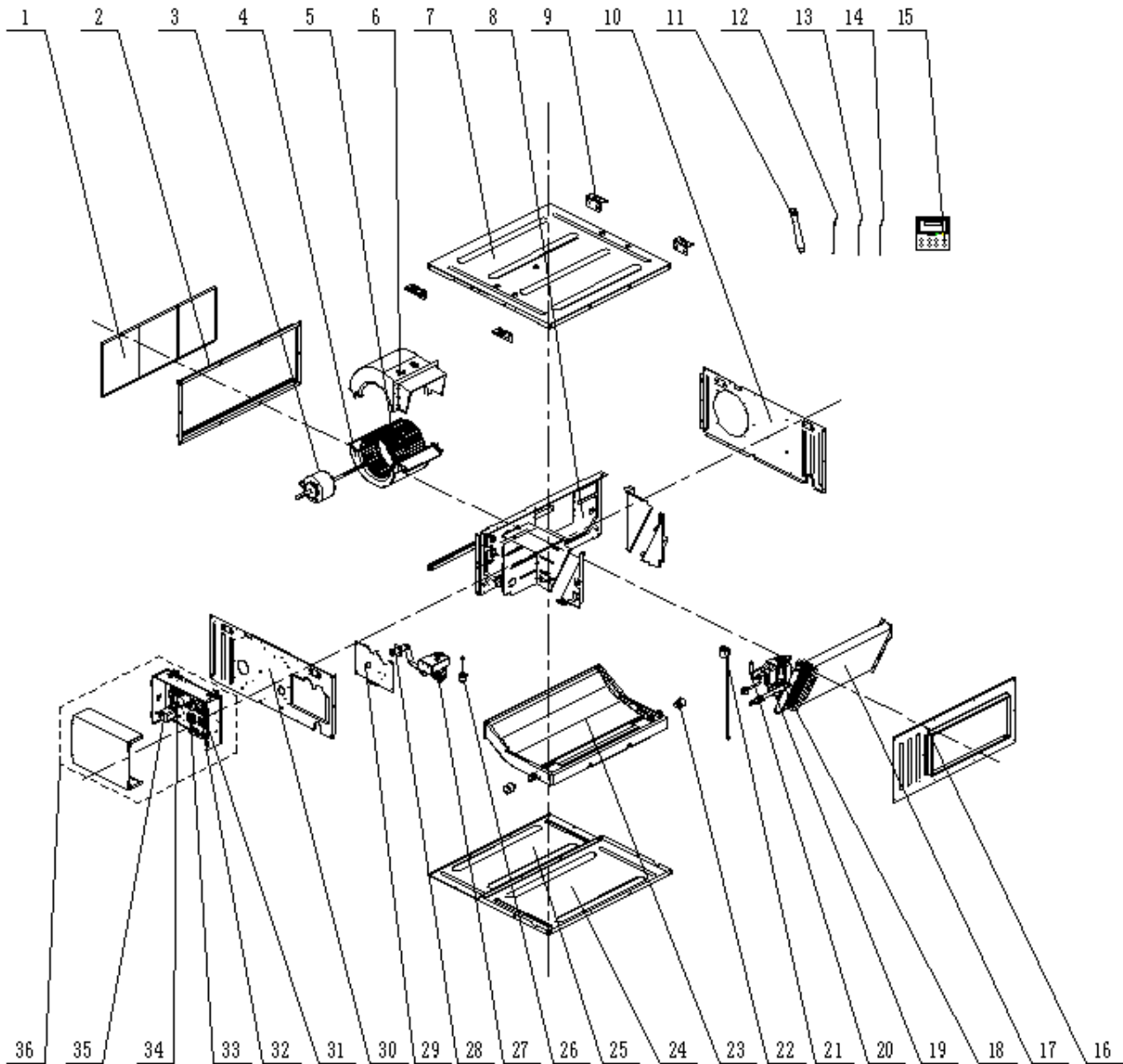


No.	Name of part	For the following unit		For the following unit	
		Unit	Product Code	Unit	Product Code
		GMV-ND22PHS/D-T	CM810N2490	GMV-ND32PHS/D-T	CM810N2500
		GMV-ND25PHS/D-T	CM810N2420	GMV-ND36PHS/D-T	CM810N2410
		GMV-ND28PHS/D-T	CM810N2430	-	-
		Part code	Quantity	Part code	Quantity
1	Filter Sub-Assy	111001000055	1	111001000055	1
2	Return Air Frame Sub-Assy	017026000004	1	017026000004	1
3	Brushless DC Motor	150104060075	1	150104060075	1
4	Propeller Housing(Lower)	26905200079	1	26905200079	1
5	Centrifugal Fan	10455200003	1	10455200003	1
6	Propeller Housing(Upper)	26905200078	1	26905200078	1
7	Top Cover	01265200180	1	01265200180	1

No.	Name of part	For the following unit		For the following unit	
		Unit	Product Code	Unit	Product Code
		GMV-ND22PHS/D-T	CM810N2490	GMV-ND32PHS/D-T	CM810N2500
		GMV-ND25PHS/D-T	CM810N2420	GMV-ND36PHS/D-T	CM810N2410
		GMV-ND28PHS/D-T	CM810N2430	-	-
		Part code	Quantity	Part code	Quantity
8	Blower Mounting Plate Sub-Assy	01324100113	1	01324100113	1
9	Hook	02112466	4	02112466	4
10	Right Side Plate	01315200126	1	01315200126	1
11	Drain Hose	05232046	1	05232046	1
12	Temperature Sensor	3900005910	1	3900005910	1
13	Temperature Sensor	390000592	1	390000592	1
14	Temperature Sensor	390000454	1	390000454	1
15	Display Board	30296000040	1	30296000040	1
16	Air Outlet Frame Sub-assy	01374100069	1	01374100069	1
17	Evaporator Assy	011001061612	1	011001061308	1
18	Strainer	07415210	1	07415210	1
19	Strainer	07213050	1	07213050	1
20	Electronic Expansion Valve	072009060047	1	072009060047	1
21	Electric Expand Valve Fitting	4304413253	1	4304413253	1
22	Choke Plug of Drain Pipe	76815214	2	76815214	2
23	Foam Sub-assy	12505200038	1	12505200038	1
24	Bottom Cover Plate	01265200181	1	01265200181	1
25	Cover Of Air-In	01265200182	1	01265200182	1
26	Liquid Level Switch	430024000005	1	430024000005	1
27	Water Pump	81200706001605	1	81200706001605	1
28	Pump Drainpipe	200070060004	1	200070060004	1
29	Sealplate	012034060117	1	012034060117	1
30	Left Side Plate	01315200127	1	01315200127	1
31	Main Board	300002061336	1	300002061336	1
32	Terminal Board	42200006005404	1	42200006005404	1
33	Terminal board	42000100000202	1	42000100000202	1
34	Main Board	300002060300	1	300002060300	1
35	Inductance	43128000014	1	43128000014	1
36	Electric Box Assy	100002074842	1	100002074842	1

Above data is subject to change without notice, pls refer the SP in global service website.

Exploded View of GMV-ND40PHS/D-T, GMV-ND45PHS/D-T, GMV-ND50PHS/D-T:

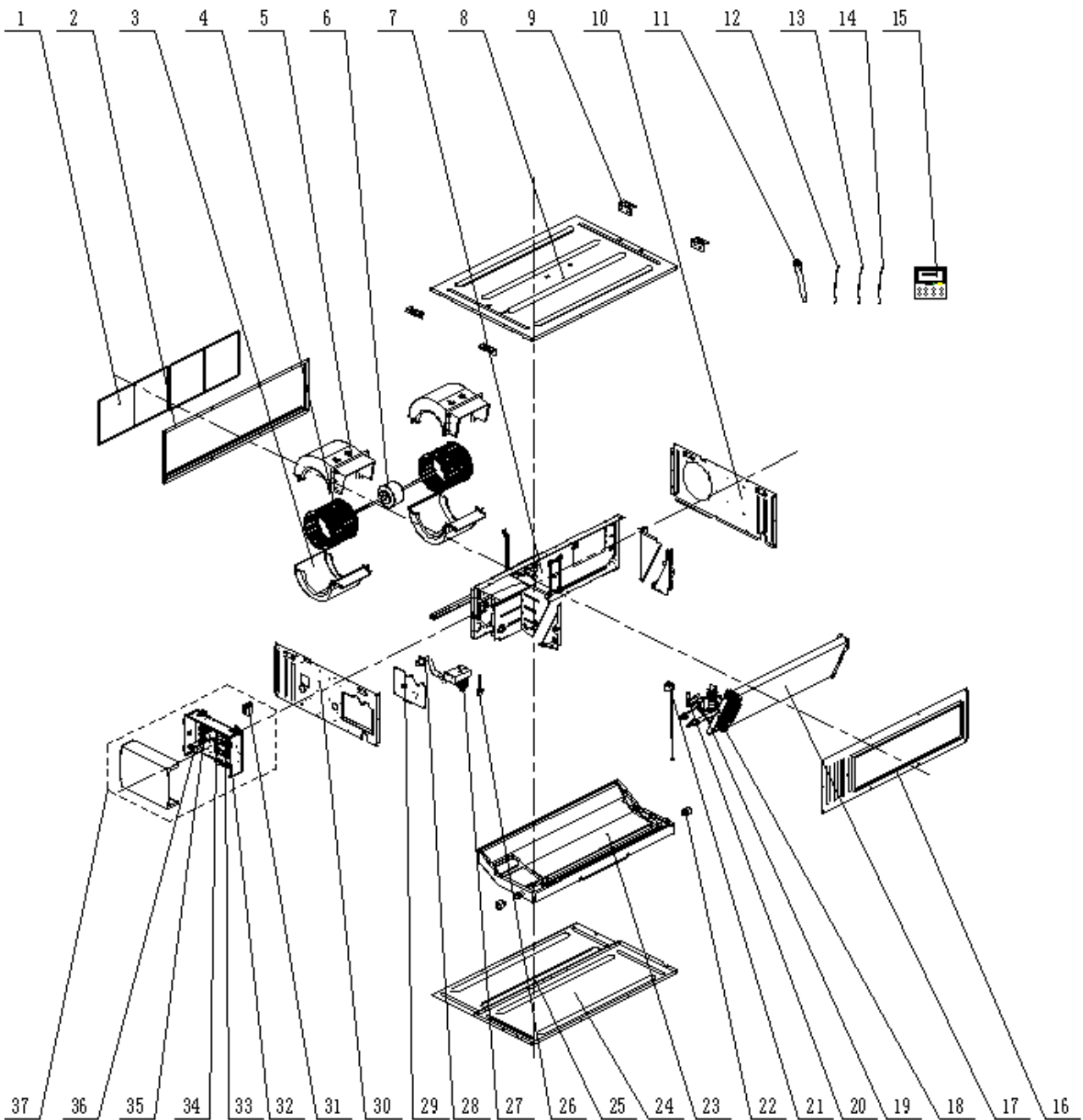


No.	Name of part	For the following unit	
		Unit	Product Code
		GMV-ND40PHS/D-T	CM810N2440
		GMV-ND45PHS/D-T	CM810N2510
		GMV-ND50PHS/D-T	CM810N2400
		Part code	Quantity
1	Filter Sub-Assy	111001000055	1
2	Return Air Frame Sub-Assy	017026000004	1
3	Brushless DC Motor	150104060075	1
4	Propeller Housing(Lower)	26905200079	1
5	Centrifugal Fan	10455200003	1
6	Propeller Housing(Upper)	26905200078	1
7	Top Cover	01265200180	1
8	Blower Mounting Plate Sub-Assy	01324100113	1
9	Hook	02112466	4
10	Right Side Plate	01315200126	1
11	Drain Hose	05232046	1

No.	Name of part	For the following unit	
		Unit	Product Code
		GMV-ND40PHS/D-T	CM810N2440
		GMV-ND45PHS/D-T	CM810N2510
		GMV-ND50PHS/D-T	CM810N2400
		Part code	Quantity
12	Temperature Sensor	3900005910	1
13	Temperature Sensor	390000592	1
14	Temperature Sensor	390000454	1
15	Display Board	30296000040	1
16	Air Outlet Frame Sub-assy	01374100069	1
17	Evaporator Assy	011001061307	1
18	Strainer	07415210	1
19	Strainer	07213050	1
20	Electronic Expansion Valve	072009060046	1
21	Electric Expand Valve Fitting	4304413253	1
22	Choke Plug of Drain Pipe	76815214	2
23	Foam Sub-assy	12505200038	1
24	Bottom Cover Plate	01265200181	1
25	Cover Of Air-In	01265200182	1
26	Liquid Level Switch	430024000005	1
27	Water Pump	81200706001605	1
28	Pump Drainpipe	200070060004	1
29	Sealplate	012034060117	1
30	Left Side Plate	01315200127	1
31	Main Board	300002061336	1
32	Terminal Board	42200006005404	1
33	Terminal board	42000100000202	1
34	Main Board	300002060300	1
35	Inductance	4312800001410	1
36	Electric Box Assy	100002074842	1

Above data is subject to change without notice, pls refer the SP in global service website.

Exploded View of GMV-ND56PHS/D-T, GMV-ND63PHS/D-T, GMV-ND71PHS/D-T, GMV-ND80PHS/D-T:

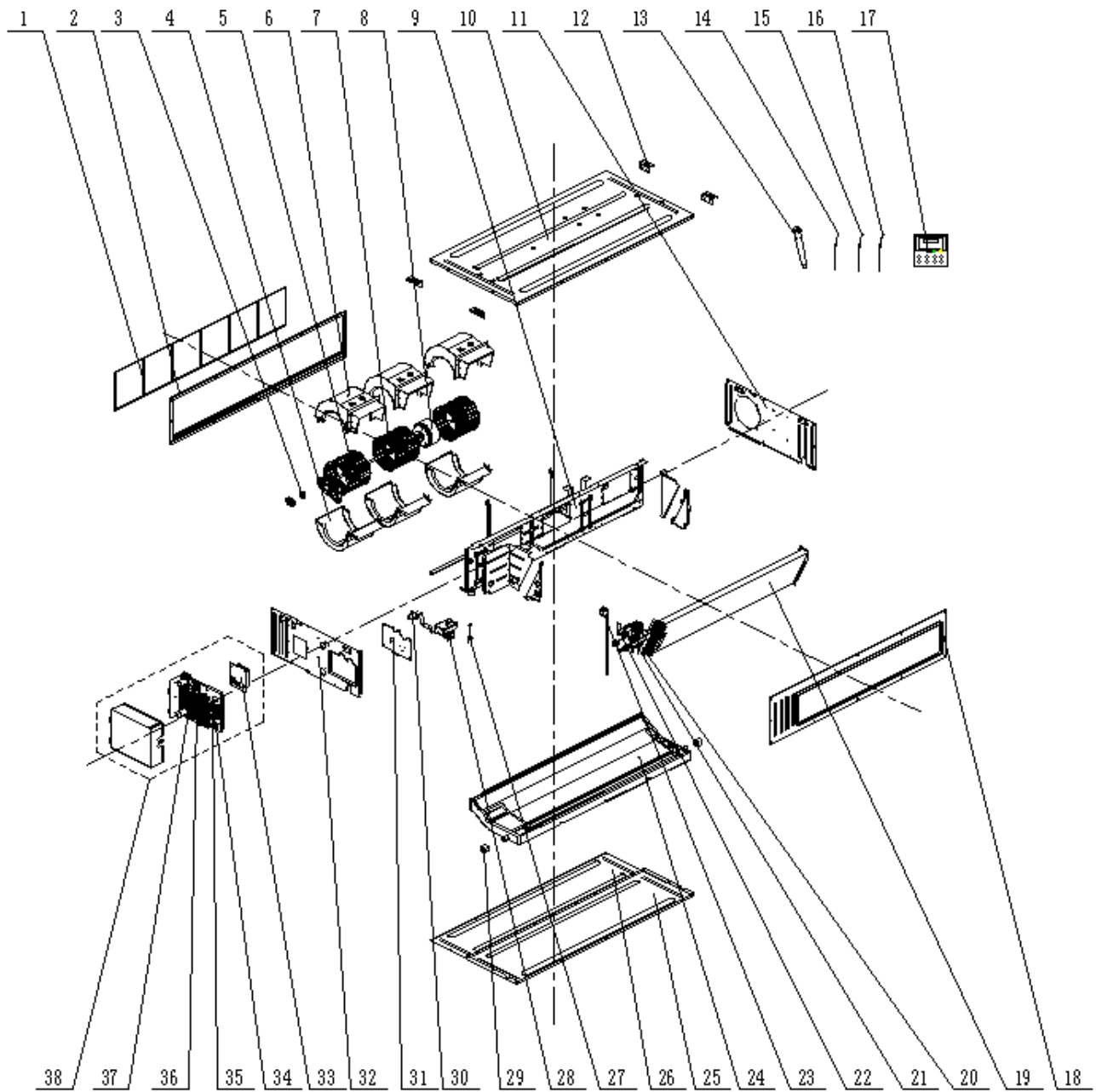


No.	Name of part	For the following unit		For the following unit	
		Unit	Product Code	Unit	Product Code
		GMV-ND56PHS/D-T	CM810N2450	GMV-ND71PHS/D-T	CM810N2460
		GMV-ND63PHS/D-T	CM810N2370	GMV-ND80PHS/D-T	CM810N2360
		Part code	Quantity	Part code	Quantity
1	Filter Sub-Assy	111001000045	2	111001000045	2
2	Return Air Frame Sub-Assy	017026000002	1	017026000002	1
3	Propeller Housing(Lower)	26905200079	2	26905200079	2
4	Centrifugal Fan	10455200003	2	10455200003	2
5	Propeller Housing(Upper)	26905200078	2	26905200078	2
6	Brushless DC Motor	150104060015	1	150104060079	1
7	Blower Mounting Plate Sub-Assy	01325200079	1	01325200079	1

No.	Name of part	For the following unit		For the following unit	
		Unit	Product Code	Unit	Product Code
		GMV-ND56PHS/D-T	CM810N2450	GMV-ND71PHS/D-T	CM810N2460
		GMV-ND63PHS/D-T	CM810N2370	GMV-ND80PHS/D-T	CM810N2360
		Part code	Quantity	Part code	Quantity
8	Top Cover	01265200128	1	01265200128	1
9	Hook	02112466	4	02112466	4
10	Right Side Plate	01315200126	1	01315200126	1
11	Drain Hose	05232046	1	05232046	1
12	Temperature Sensor	3900005910	1	3900005910	1
13	Temperature Sensor	390000592	1	390000592	1
14	Temperature Sensor	390000454	1	390000454	1
15	Display Board	30296000040	1	30296000040	1
16	Air Outlet Frame Sub-assy	01375200025	1	01375200025	1
17	Evaporator Assy	011001061366	1	011001061366	1
18	Strainer	07415210	1	07415210	1
19	Strainer	07213050	1	07213050	1
20	Electronic Expansion Valve	072009060046	1	072009060046	1
21	Electric Expand Valve Fitting	4304413253	1	4304413253	1
22	Choke Plug of Drain Pipe	76815214	2	76815214	2
23	Foam Sub-assy	12505200025	1	12505200025	1
24	Bottom Cover Plate	01265200131	1	01265200131	1
25	Cover Of Air-In	01265200132	1	01265200132	1
26	Liquid Level Switch	430024000005	1	430024000005	1
27	Water Pump	81200706001605	1	81200706001605	1
28	Pump Drainpipe	200070060004	1	200070060004	1
29	Sealplate	012034060117	1	012034060117	1
30	Left Side Plate	012055060290	1	012055060290	1
31	Radiator	430034060043	1	430034060043	1
32	Main Board	300002061336	1	300002061336	1
33	Terminal Board	42200006005404	1	42200006005404	1
34	Terminal board	42000100000202	1	42000100000202	1
35	Main Board	300002060399	1	300094000014	1
36	Inductance	4312800001410	1	4312800001410	1
37	Electric Box Assy	100002074843	1	100002074848	1

Above data is subject to change without notice, pls refer the SP in global service website.

Exploded View of GMV-ND90PHS/D-T, GMV-ND100PHS/D-T, GMV-ND112PHS/D-T, GMV-ND125PHS/D-T, GMV-ND140PHS/D-T, GMV-ND160PHS/D-T:

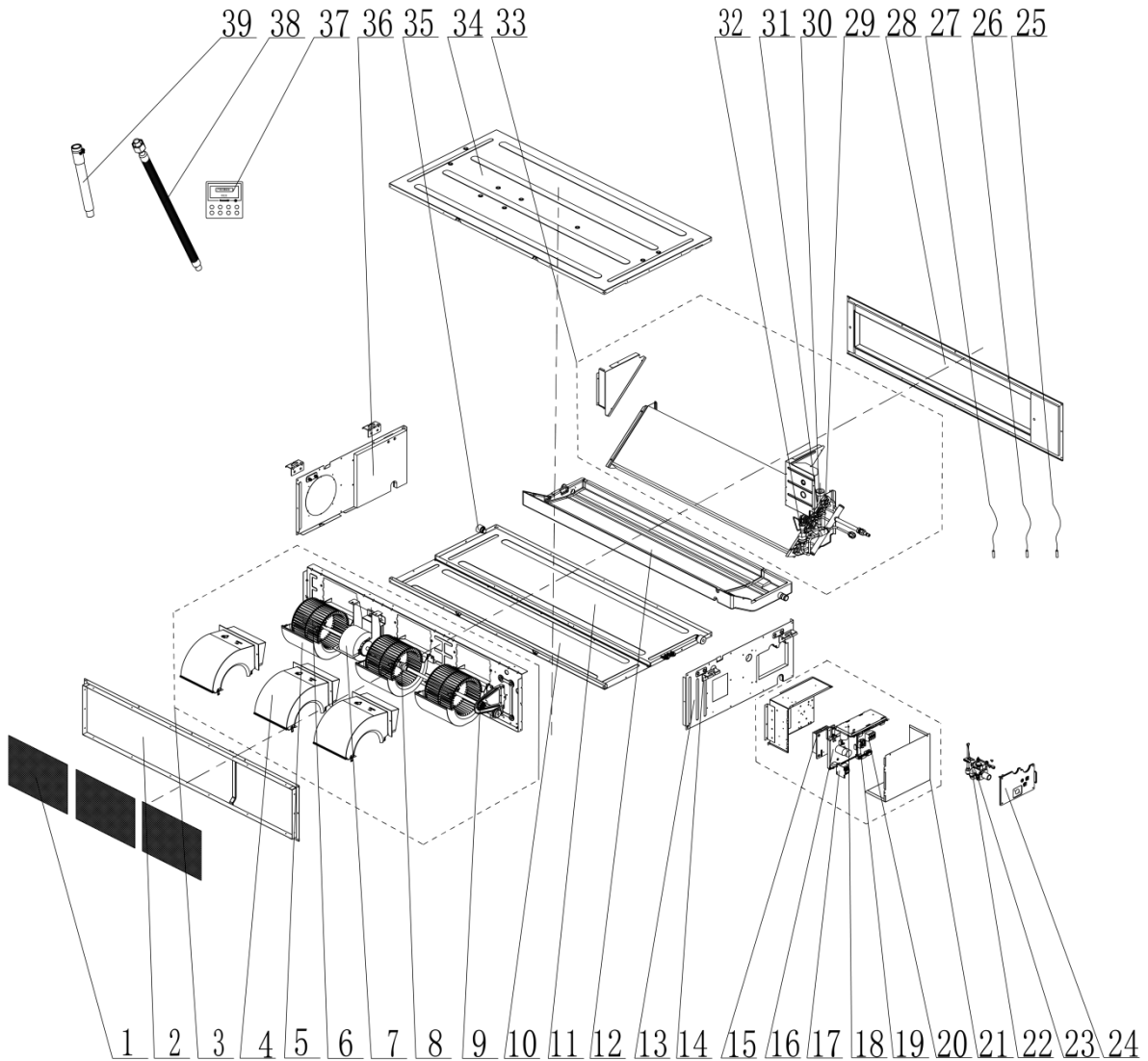


No.	Name of part	For the following unit		For the following unit	
		Unit	Product Code	Unit	Product Code
		GMV-ND90PHS/D-T	CM810N2470	GMV-ND140PHS/D-T	CM810N2530
		GMV-ND100PHS/D-T	CM810N2520	GMV-ND160PHS/D-T	CM810N2380
		GMV-ND112PHS/D-T	CM810N2480	-	-
		GMV-ND125PHS/D-T	CM810N2390	-	-
		Part code	Quantity	Part code	Quantity
1	Filter Sub-Assy	111001000052	3	111001000052	3
2	Return Air Frame Sub-Assy	017026000003	1	017026000003	1
3	Bearing Holder Sub-assy	26151139	1	26151139	1
4	Propeller Housing(Lower)	26905200079	3	26905200079	3
5	Centrifugal Fan	10455200003	3	10455200003	3
6	Propeller Housing(Upper)	26905200078	3	26905200078	3
7	Joint Slack	73018731	1	73018731	1

No.	Name of part	For the following unit		For the following unit	
		Unit	Product Code	Unit	Product Code
		GMV-ND90PHS/D-T	CM810N2470	GMV-ND140PHS/D-T	CM810N2530
		GMV-ND100PHS/D-T	CM810N2520	GMV-ND160PHS/D-T	CM810N2380
		GMV-ND112PHS/D-T	CM810N2480	-	-
		GMV-ND125PHS/D-T	CM810N2390	-	-
		Part code	Quantity	Part code	Quantity
8	Brushless DC Motor	150104060080	1	1570940000801	1
9	Blower Mounting Plate Sub-Assy	01325200076	1	01325200076	1
10	Top Cover	0126520012401	1	0126520012401	1
11	Right Side Plate	01315200126	1	01315200126	1
12	Hook	02112466	4	02112466	4
13	Drain Hose	05232046	1	05232046	1
14	Temperature Sensor	390000454	1	390000454	1
15	Temperature Sensor	390000596	1	390000596	1
16	Temperature Sensor	3900005912	1	3900005912	1
17	Display Board	30296000040	1	30296000040	1
18	Air Outlet Frame Sub-assy	01375200020	1	01375200020	1
19	Evaporator Assy-	011001061341	1	011001061743	1
20	Strainer	07213050	1	07213050	1
21	Strainer	07415210	1	07415210	1
22	Electronic Expansion Valve	072009060045	1	072009060045	1
23	Electric Expand Valve Fitting	4304413253	1	4304413253	1
24	Foam Sub-assy	12505200021	1	12505200021	1
25	Bottom Cover Plate	01265200125	1	01265200125	1
26	Cover Plate(Air return)	01265200123	1	01265200123	1
27	Liquid Level Switch	430024000005	1	430024000005	1
28	Water Pump	81200706001605	1	81200706001605	1
29	Choke Plug of Drain Pipe	76815214	2	76815214	2
30	Pump Drainpipe	200070060004	1	200070060004	1
31	Sealplate	012034060117	1	012034060117	1
32	Left Side Plate	0131410011902	1	0131410011902	1
33	Radiator	4901800006802	1	4901800006803	1
34	Terminal Board	42200006005404	1	42200006005404	1
35	Terminal Board	42011106	1	42011106	1
36	Main Board	300002062100	1	300002062085	1
37	Reactor	43138000047	1	43138000047	1
38	Electric Box Assy	100002072054	1	100002072082	1

Above data is subject to change without notice, pls refer the SP in global service website.

Exploded View of GMV-ND180PHS/D-T



No.	Name of part	For the following unit	
		Unit	Product Code
		GMV-ND180PHS/D-T	CM810N2240
		Part code	Quantity
1	Filter Sub-Assy	111001000052	3
2	Return Air Frame Sub-Assy	017026000003	1
3	Centrifugal fan assy	000052000029	1
4	Propeller Housing(Upper)	269052000078	3
5	Propeller Housing(Lower)	269052000079	3
6	Centrifugal Fan	104552000003	3
7	Brushless DC Motor	1570940000801	1
8	Joint Slack	73018731	1
9	Fan Bearing	7651221001	1
10	Cover Plate(Air return)	01265200123	1
11	Bottom Cover Plate	01265200125	1
12	Foam Sub-assy	125052000021	1
13	Left Side Plate Assy	01314100118	1
14	Hook	02112466	4
15	Radiator	49018000068	1

No.	Name of part	For the following unit	
		Unit	Product Code
		GMV-ND180PHS/D-T	CM810N2240
		Part code	Quantity
16	Main Board	30221000033	1
17	Reactor	43138000047	1
18	Main Board	300002061641	1
19	Terminal Board	42000100000101	1
20	Terminal Board	42200006000401	1
21	Electric Box Assy	100002070712	1
22	Water Level Switch	4502021603	1
23	Water Pump	43138000058	1
24	Seal plate	01495200078	1
25	Temperature Sensor	3900005910	1
26	Temperature Sensor	390000592	1
27	Temperature Sensor	390000454	1
28	Air Outlet Frame Assy	01375200023	1
29	Strainer	0741410000601	1
30	Electric Expand Valve Fitting	4304413253	1
31	Electronic Expansion Valve	07334468	1
32	Strainer	07415210	1
33	Evaporator Assy	011001000237	1
34	Top Cover Board Assy	01264100105	1
35	Choke Plug of Drain Pipe	76815214	2
36	Right Side Plate Assy	01315200148	1
37	Display Board	30296000040	1
38	Corrugated Pipe	035030000005	1
39	Drain Hose Sub-Assy	05232050	1

Above data is subject to change without notice, pls refer the SP in global service website.



GREE ELECTRIC APPLIANCES, INC. OF ZHUHAI 519070

Add: West Jinji Rd, Qianshan Zhuhai, Guangdong, China

Tel: (+86-756)8522218

Fax: (+86-756)8669426

E-mail: global@cn.gree.com www.gree.com

JF00302966